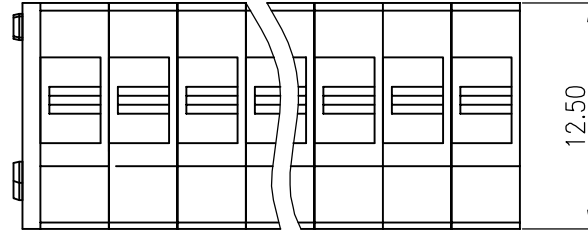
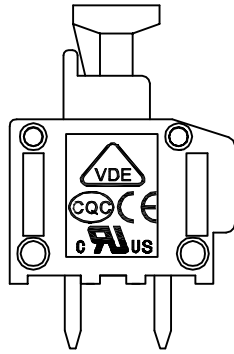


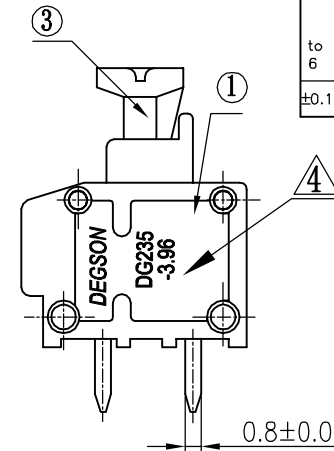
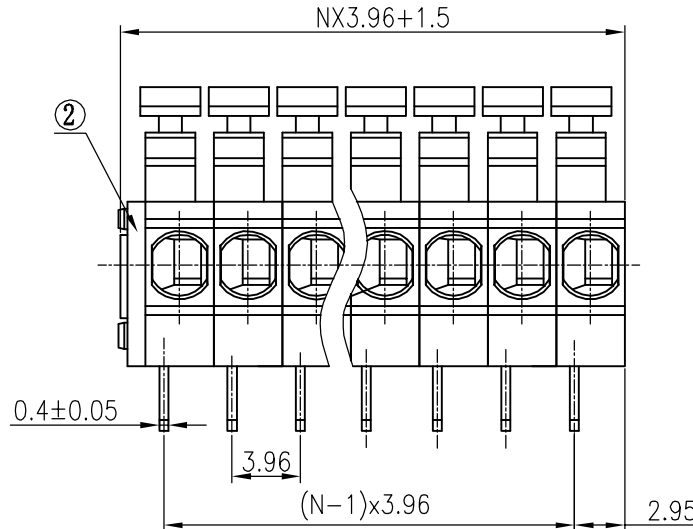
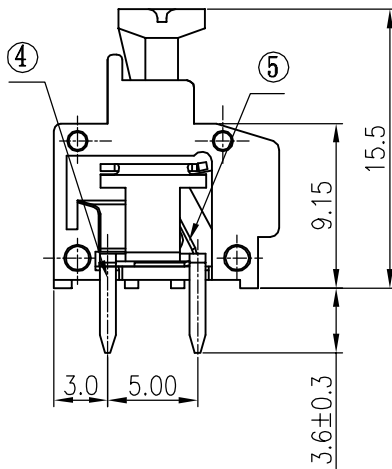
REVISION RECORD				
REV	ECO	DESCRIPTION	DRFT	DATE
△		图面更新	HW	04/11/06*
△		3007COY01A→3008COY01A	WF	11/28/06*
△		品名、料号增加环保标示“(H)”	LJH	12/08/07*
△		工程变更：去掉电压、电流标示	WLM	08/11/08*



Notes:

1. Pitch: 3.96mm , Poles: XXP
2. Rated voltage/current: UL 300V/5A  
VDE 250V/10A
3. Operation temperatures: -40°C~+105°C
4. Withstanding Voltage: AC2000V/1Min
5. Insulation Resistance: 5000MΩ/DC1000V
6. Wire Range: 20~18AWG, 1.5mm<sup>2</sup>
7. Undimensioned Tolerances:

Pitch range in mm		Nominal dimension range in mm							
to	over	to	to	to	to	to			
6	6	10	10	30	60	100	150	∩	
6	10	24	30	60	100	150		∇	
	±0.10	±0.15	±0.25	±0.2	±0.3	±0.5	±0.7	±1.0	0.05/10



5	DG235-3.81-Clamp	X00000390 (H)	XX	Stainless Steel	
4	DG235-3.81-Pin header	3007B00010 (H)	XX	Phosphor Bronze	SnCe plated
3	DG235 Button	3007D0Y01A (H)	XX	PA66	UL94V-0
2	DG235 Cover	3008COY01A (H)	1	PA66	UL94V-0

1	DG235-3.96 Housing	3009A0Y01A (H)	XX	PA66	UL94V-0
ITEM	NAME OF PART	NO. OF PART	Q'TY	MATERIAL	NOTES
DETACHED LISTS	MM (INCH)	DFTO Zhjwm	DATE 08/02/'04	宁波高正电子有限公司 DEGSON ELECTRONICS CO., LTD NAME DG235-3.96-XXP-1Y-00A(H) DRAWING NO. DG235-3.96-E01 /PART NO. SCALE : 1:1 DO NOT SCALE DRAWING SHEET 1 OF 1	
	TOLERANCES EXCEPT AS NOTED	CHKD	DATE		
	MM	MFO	DATE		
	.0 ±	APPVL	DATE		
	.00 ±				
.000 ±	MATERIAL :				
	ANGLES ± 1°	G.E :			
	THIRD ANGLE PROJECTION	FINISH :			

8

7

6

5

4

3

2

1

H

G

F

E

D

C

B

A