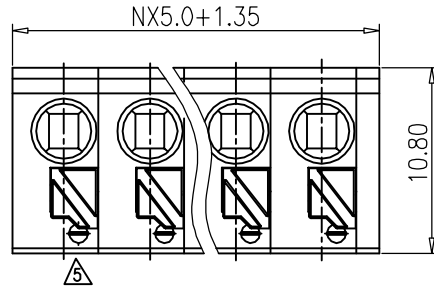
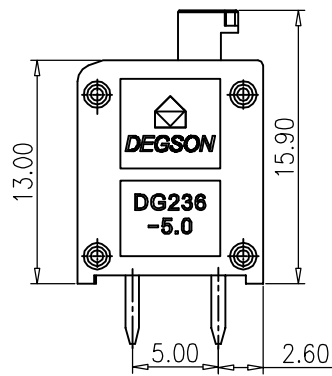


REVISION RECORD					
REV	ECO	DESCRIPTION	DRFT	DATE	
T1		图形更新	HW	05/04/06*	
T2		变更焊脚材质	CSX	07/05/07*	
T3		品名、料号增加环保标示“01”	LJH	12/08/07*	
T4		增加UL、CE刻字	CSX	02/25/08*	
T5	09-0025	改善夹线, 产品加底, 测试孔外移	CW	08/28/09*	
T6	09-0084	增加VDE刻字及参数	Zengy	10/14/09*	

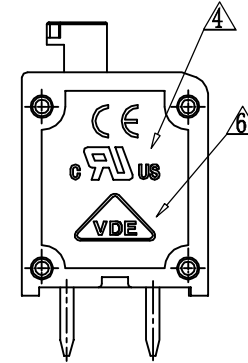
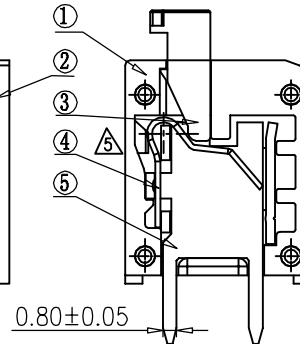


Notes:

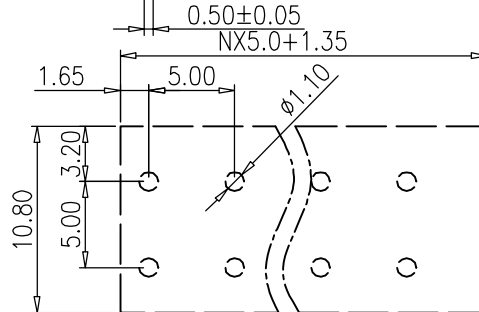
- Pitch: 5.0 mm
- Rated voltage/current: UL 300V 8A
VDE 400V 10A
- Operation temperatures: -40° C ~ +105° C
- Withstanding Voltage: AC1500V/1Min
- Insulation Resistance: 5000MΩ/DC1000V
- Wire Range: 20~16AWG 0.2~1.5mm²
- Undimensioned Tolerances:



W/O COVER VIEW



Pitch range in mm		Nominal dimension range in mm					
to 6	over 6 to 10	over 10 to 24	to 30	over 30 to 60	over 60 to 100	over 100 to 150	—
±0.10	±0.15	±0.25	±0.2	±0.3	±0.5	±0.7	±1.0, 0.05/0.10



TOP VIEW-LAYOUT

5	DG236-5.0 Pin header	3020B00010 (H)	XX	Pure copper	SnCe Plated
4	DG236-5.0 Spring	X000000590 (H)	XX	Stainless Steel	
3	DG236-5.0 Button	3020D0Y01A (H)	XX	PA66	UL94V-0
2	DG236-5.0 Cover	3020C0Y01A (H)	1	PA66	UL94V-0
1	DG236-5.0 Housing	3020A0Y01A (H)	XX	PA66	UL94V-0
ITEM	NAME OF PART	NO. OF PART	Q'TY	MATERIAL	NOTES

DETACHED LISTS	MM (INCH)	DFTO ExspAny	DATE 12/30/04**	宁波高正电子有限公司 DEGSON ELECTRONICS CO., LTD	
	TOLERANCES EXCEPT AS NOTED		CHKD DATE		
			MFO DATE		
			APPVL DATE		
MM	±	MATERIAL :		NAME DG236-5.0-XXP-1Y-00A(H)	
.0 ±	±	G.E :		DRAWING NO. DG236-5.0-E01	
.00 ±	±	FINISH :		/PART NO.	
.000 ±	±	SCALE : 1:1		DO NOT SCALE DRAWING	
ANGLES ± 1°	THIRD ANGLE PROJECTION		SHEET 1 OF 1		SIZE A3 REV T6 10/14/09*