

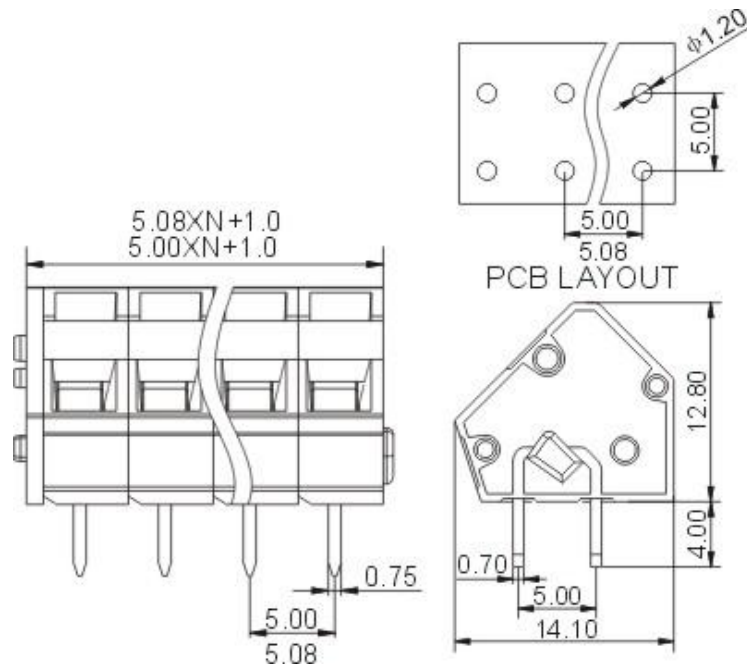


# DEGSON ELECTRONICS CO., LTD.

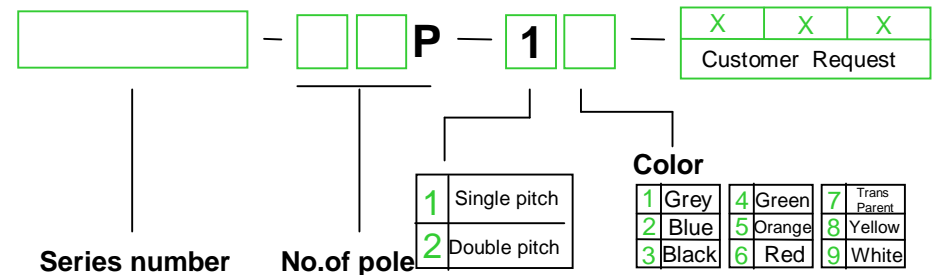
## Product Specification



<b>Approval</b>		
<b>Electrical</b>		
<b>Standard</b>	<b>UL</b>	<b>IEC</b>
Rated voltage	300V	450V
Rated current	15A	17A
Wire range	28-12AWG	0.2-2.5mm <sup>2</sup>
Withstanding voltage	AC2500V/1Min	
<b>Mechanical</b>		
Ambient temperature	-40°C ~ +105 °C	
Strip length	5-6mm	
<b>Dimensions</b>		
Pitch	5.0mm (.197" ) 5.08 (.200" )	
Poles	1P-XXP	
<b>Material</b>		
Housing	PA66,UL94V-0	
Pin header	Phosphor bronze, Tin plated	
Wire guard	Stainless steel	



### HOW TO ORDER :



mm (INCH)	<b>DEGSON ELECTRONICS CO., LTD.</b>
THROANGLE PROJECTION	<b>NAME</b> <b>DG245-5.0, DG245-5.08</b>