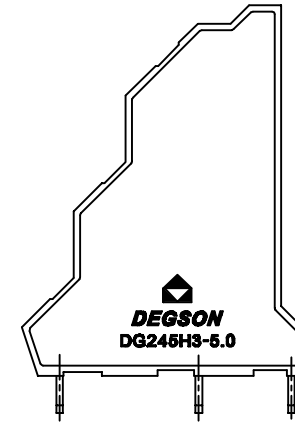
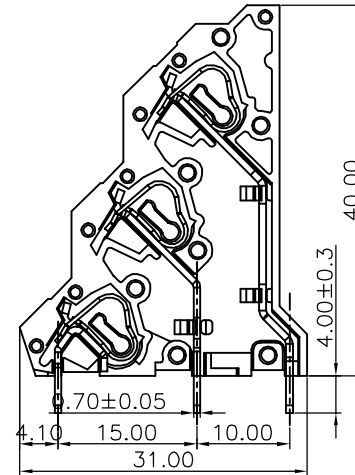
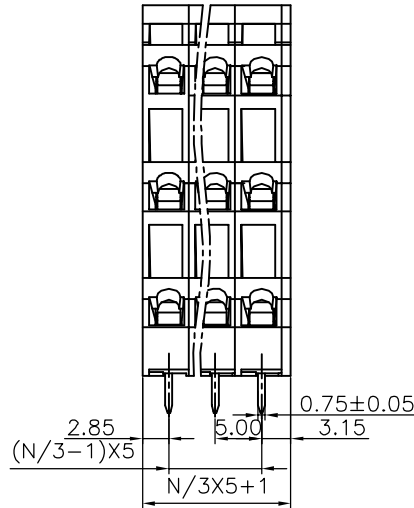
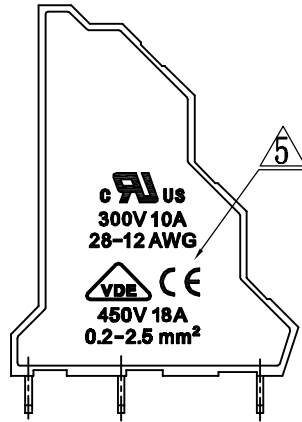
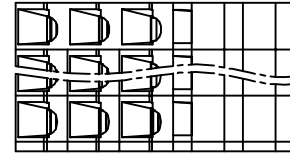
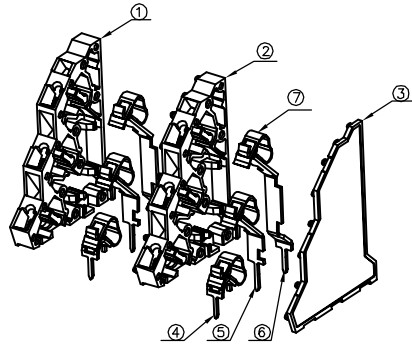
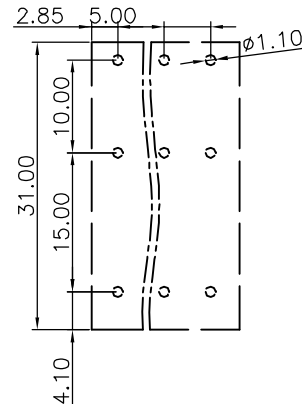


REVISION RECORD				
REV	ECO	DESCRIPTION	DRFT	DATE
▲		增加机刻字	CSX	08/29/07
▲		品名、料号增加环保标示“(H)”	LJH	12/08/07
▲		修改线数:改为每个焊脚代表一线	LJH	03/22/08
▲		修改参数	Zengy	12/20/08
▲	10-0328	增加VDE刻字	Yi. Zeng	09/30/10



Notes:

1. Pitch: 5.00mm, Ploes: 3P-XXP
2. Rated voltage/current: UL 300V/10A  
VDE 450V/18A
3. Operation temperatures: -40°C~+105°C
4. Withstanding Voltage: AC3000V/1min
5. Insulation Resistance: 5000MΩ/DC1000V
6. Wire Range: 28~12AWG, 0.2~2.5mm²
7. Undimensioned Tolerances:



Pitch range in mm		Nominal dimension range in mm						
	over 6 to 10	over 10 to 24	over 30 to 60	over 60 to 100	over 100 to 150	over 150	—	
±0.10	±0.15	±0.25	±0.2	±0.3	±0.5	±0.7	±1.0	
							0.05/10	

ITEM	NAME OF PART	NO. OF PART	Q'TY	MATERIAL	NOTES
7	DG242 Spring	X00000990 (H)	▲	XX	Stainless steel
6	DG245H3-pin	3031B00010 (H)	▲	XX/3	Copper Snce plated
5	DG245H2-Pin	3030B00010 (H)	▲	XX/3	Copper Snce plated
4	DG245H1-Pin	3025B00020 (H)	▲	XX/3	Phosphor bronze Snce plated
3	DG245H3-5.0 Cover	3031C0Y01A (H)	1	PA66	UL94V-0
2	DG245H3-5.0 In-housing	3031A0Y01A (H)	▲	XX/3-1	PA66 UL94V-0
1	DG245H3-5.0 Side-housing	3031A0Y01B (H)	1	PA66	UL94V-0

DFTO Zhwm DATE 04/08/06* CHKD DATE TOLERANCES EXCEPT AS NOTED MFO DATE APPVL DATE		宁波高正电子有限公司 DEGSON® DEGSON ELECTRONICS CO., LTD	
DETACHED LISTS MM .0 ± .00 ± .000 ± ANGLES ± 1° THIRD ANGLE PROJECTION		NAME DG245H3-5.0-XXP-1Y-00A(H) DRAWING NO. DG245H3-5.0-E01 /PART NO. DO NOT SCALE DRAWING	
G.E : FINISH : SCALE : 1:1		SIZE A3 REV T5 09/30/10 SHEET 1 OF 1	