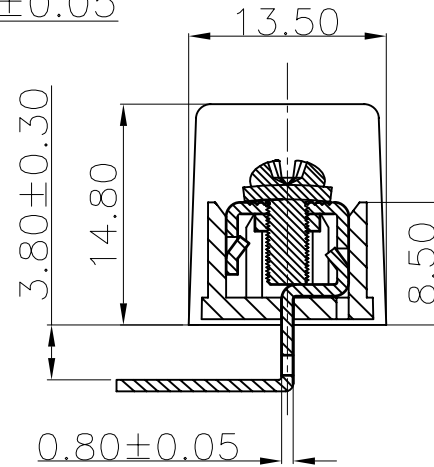
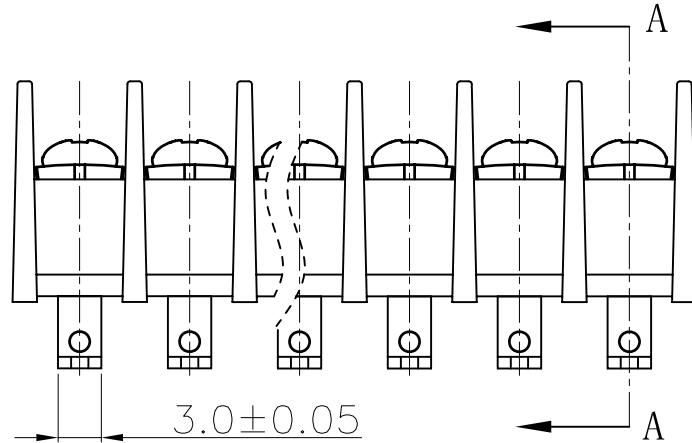
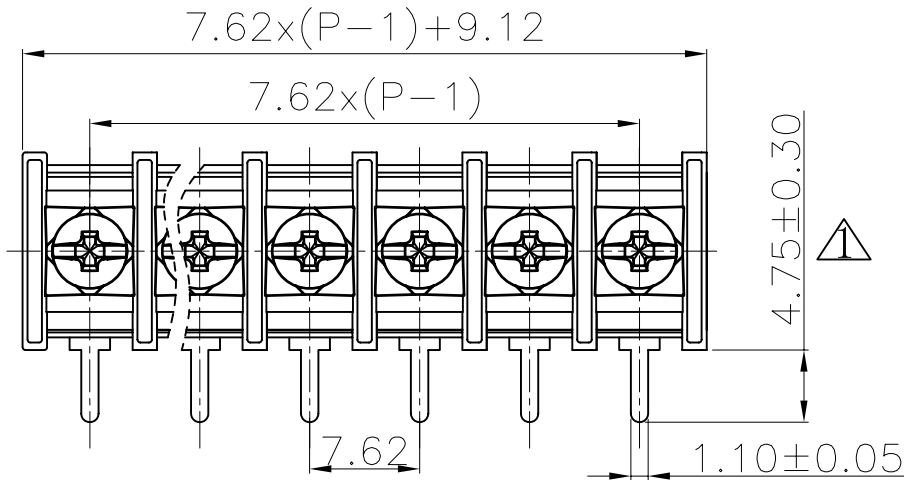


REVISION RECORD					
REV	ECO	DESCRIPTION	DRFT	DATE	
1		出脚依实物及理论值由5.00±0.10改到4.75±0.30	CSX	06/07/05	
2		图面更新	CSX	07/20/06	
3		增加UL刻字	YeJ	11/06/06	
4		品名、料号增加环保标识“(H)”	YeJ	12/08/07	

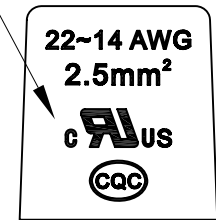


Section A-A

NOTES:

- Pitch:7.62mm
- Rated current:15A
- Rated voltage:300V
- Operation temperatures:-40° C~+105° C
- Insulation Withstand Voltage:AC2000V/1min
- Insulation Resistance:500MΩ/DC500V
- Wire Range:22~14AWG
- Max. Torque:5.10kgf. cm
- Undimensioned Tolerances:

Pitch range in mm		Nominal dimension range in mm						
to	over	to	over	to	over	to	over	—
6	6	10	10	30	60	100	150	∩
6	10	24	30	60	100	150		∇
±0.10	±0.15	±0.25	±0.2	±0.3	±0.5	±0.7	±1.0	0.05/10



3	3*6 bright-Screw	S000000450 (H)	XX	Steel	Ni Plated
2	DG25R-Pin Header	5001B00060 (H)	XX	Brass	SnCe
1	DG25R-B-Housing	5001A0YXXA (H)	1	PA66	UL94V-0
ITEM	NAME OF PART	NO. OF PART	Q"TY	MATERIAL	NOTES

DETACHED LISTS	MM (INCH)	DFTO Zhuwm	DATE 03/03/04"	宁波高正电子有限公司 DEGSON ELECTRONICS CO., LTD		
	TOLERANCES EXCEPT AS NOTED	CHKD	DATE			
		MFO	DATE			
		APPVL	DATE			
	MM	±		NAME DG25R-B-XXP-1Y-00A(H)		
	.00 ±	±				
	.000 ±	±				
	ANGLES ± 1°	G.E :		DRAWING NO. DG25R-E01	SIZE A3	REV T4
	THIRD ANGLE PROJECTION	FINISH :		/PART NO.	12/08/07"	
		SCALE : 1:1		DO NOT SCALE DRAWING	SHEET 1	OF 1