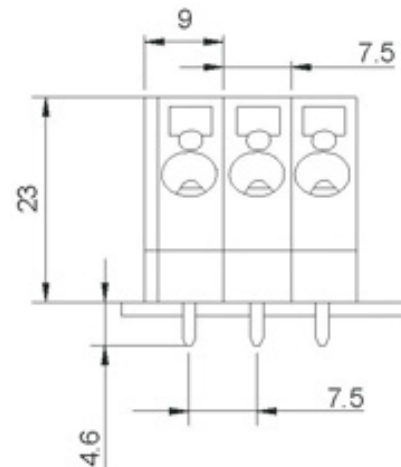
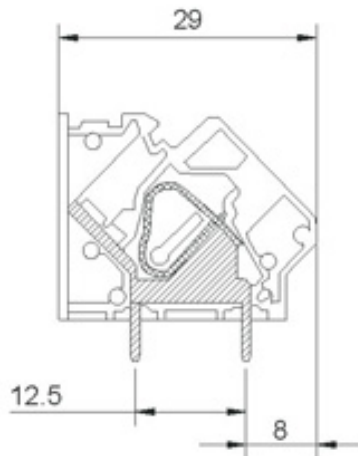
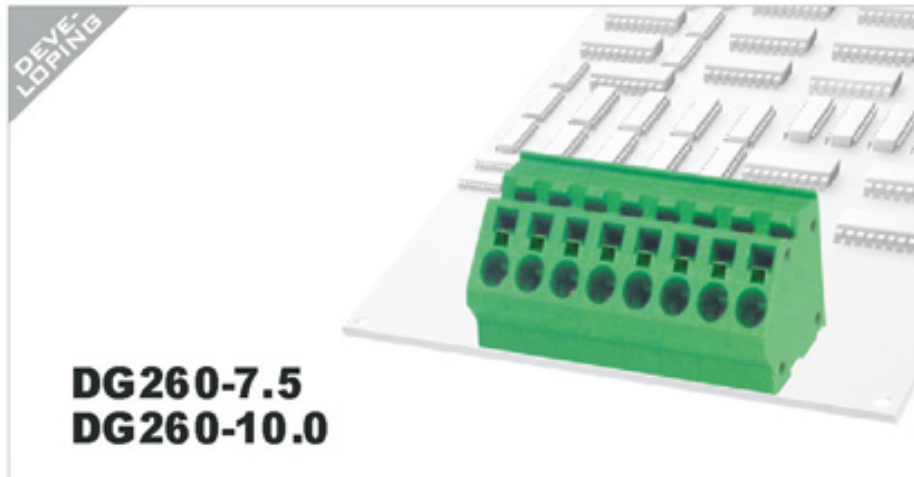




DEGSON ELECTRONICS CO., LTD.

Product Specification



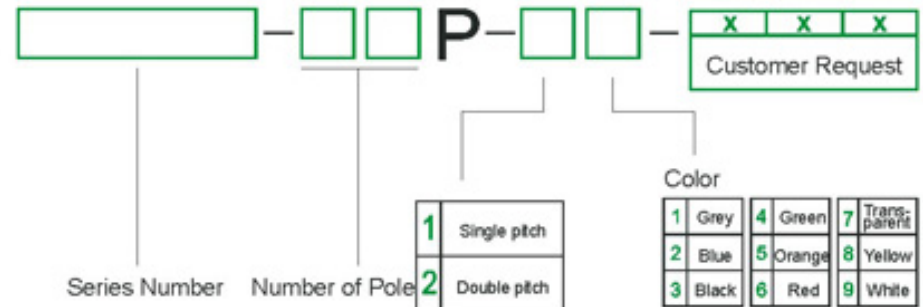
| Approval | | |
|-----------------------|--------------|--------------------|
| Electrical | | |
| Standard | UL | IEC |
| Rated voltage | 300V | 450V |
| Rated current | 30A | 32A |
| Wire range | 24-10AWG | 4.0mm ² |
| With standing voltage | AC2500V/1Min | |

| Mechanical | |
|---------------------|--------------|
| Ambient temperature | -40°C~+105°C |
| Strip length | 10mm |

| Dimensions | |
|------------|----------------------------|
| Pitch | 7.5mm(.295") 10.0mm(.394") |
| Poles | 1P-XXP |

| Material | |
|------------|-----------------------------|
| Housing | PA66, UL94V-0 |
| Pin header | Phosphor bronze, Tin plated |
| Wire guard | Stainless steel |

HOW TO ORDER



| | | |
|--|------|---------------------------------------|
| | | DEGSON ELECTRONICS CO., LTD. |
| | NAME | DG260-7.5 DG260-10.0 |