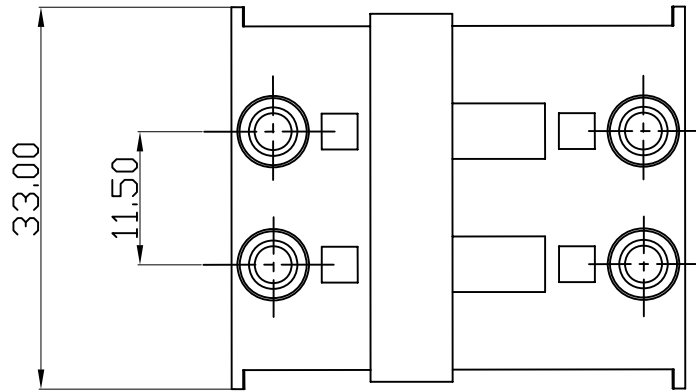
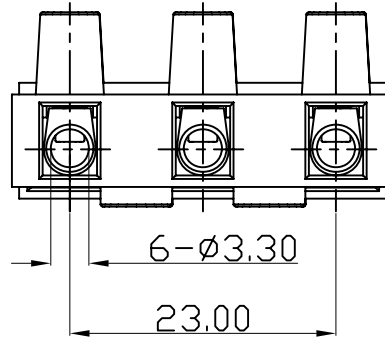
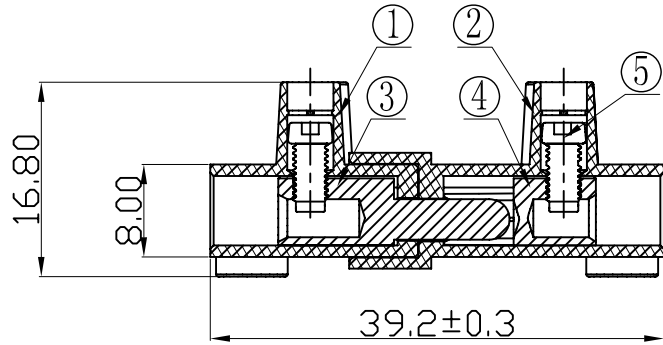
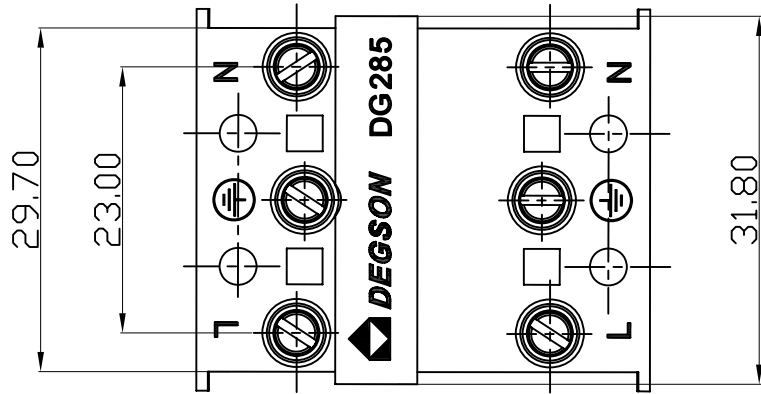


REVISION RECORD				
REV	ECN	DESCRIPTION	DRFT	DATE



Notes:

1. Pitch:11.5mm, Poles:3P;
2. Rated voltage/Current:UL1059:300/16A;
IEC:400V/24A;
3. Temp. Range : -40° C~+105° C;
4. Wire range: 18-12AWG;2.5mm²;
5. Max torque value:5.10kgf.cm
6. insertion and pull-out force:insertion
8N-13N/P;Pull-out:2N-6N/P;
7. Insulation resistance:5000MΩ/1000V
8. Undimensioned Tolerances:

Pitch range in mm	Nominal dimension range in mm						—	
	over 6 to 6	over 10 to 10	over 10 to 24	over 30 to 30	over 60 to 100	over 100 to 150		
±0.10	±0.15	±0.25	±0.2	±0.3	±0.5	±0.7	±1.0	0.05/10

5	DG129"—M3 Screw	S000001430 (H)	XX*2	Steel	Cr ³⁺ Zn
4	DG280K Socket	X000004620 (H)	XX	Brass	Ni plated
3	DG280J Plug	X000004610 (H)	XX	Brass	Ni plated
2	DG285 Housing Two	2086A0Y03A (H)	1	PA66	UL94V-2

1	DG285 Housing One	2086A0Y03C(H)	1	PA66	UL94V-2
ITEM	NAME OF PART	NO. OF PART	Q'TY	MATERIAL	NOTES
DETACHED LISTS	MM (INCH)	DFTD Mickey	DATE 06/20/09*	宁波高正电子有限公司 DEGSON ELECTRONICS CO., LTD NAME DG285-03P-1Y-00A(H) DRAWING NO. DG285-E01 /PART NO. SCALE : DD NDT SCALE DRAWING SHEET 1 OF 1	
	TOLERANCES EXCEPT AS NOTED	CHKD	DATE		
	MM	MFD	DATE		
	.0 ±	APPVL	DATE		
	.00 ±	MATERIAL :			
0.00 ±	ANGLES ± 1°	G.E :		SIZE A4	REV TO 01/25/10*
THIRD ANGLE PROJECTION		FINISH:			