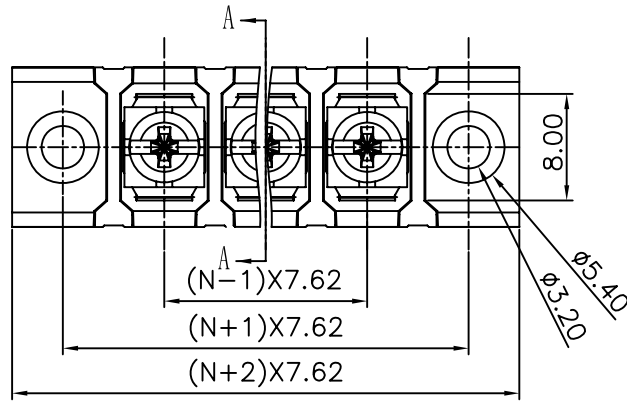
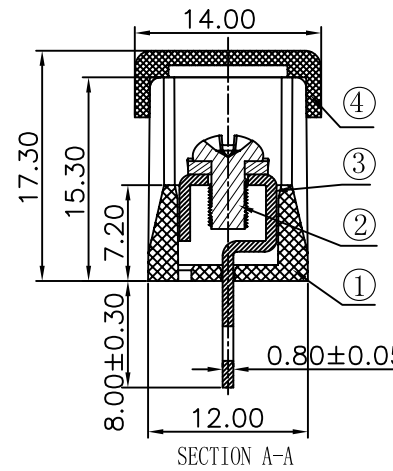
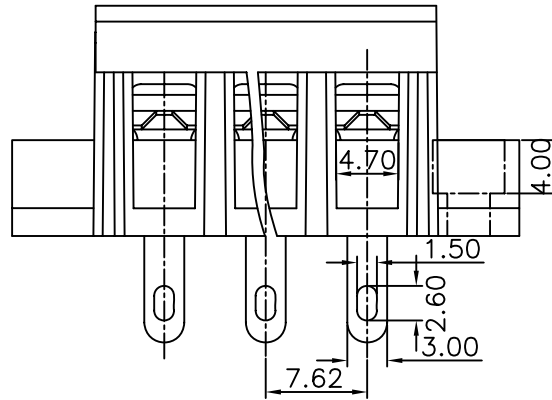


REVISION RECORD				
REV	ECO	DESCRIPTION	DRFT	DATE
△		增加UL刻字	CSX	03/21/07
△		品名、料号增加环保标识“00”	YeJ	12/08/07

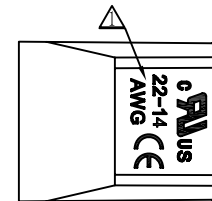
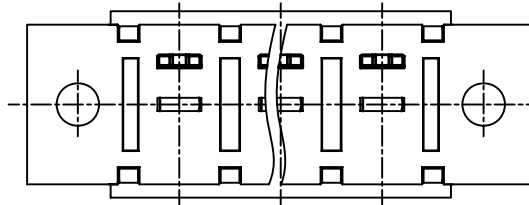
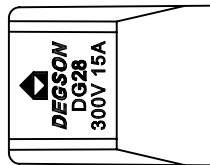


Notes:

1. Pitch:7.62mm ,Poles:2-24P
2. Rated current:15A
3. Rated voltage:300V
4. Operation temperatures:-40° C~+105° C
5. Insulation Withstand Voltage:AC2000V/Min
6. Insulation Resistance:500MΩ/DC500V
7. Wire Range:22~14AWG
8. Max. Torque Value:5.1kgf.cm
9. Undimensioned Tolerances:



Pitch range in mm		Nominal dimension range in mm					
to	over	to	to	to	to	to	
6	6 to 10	10 to 24	30 to 60	60 to 100	100 to 150	150	∩
	±0.10	±0.15	±0.25	±0.2	±0.3	±0.5	±0.7
							±1.0
							0.05/0.10



4	DG28-Cover	5006C07XXA (H)	1	PC	
3	DG28H Pin header	5006B00050 (H)	XX	Brass	SnCe plated
2	M3*6 (6*6) bright Screws	S000000450 (H)	XX	Steel	Ni plated

1	DG28-A-本体	5006MOYXXA (H)	1	PA66+23%GF	UL94V-0																															
ITEM	NAME OF PART	NO. OF PART	Q'TY	MATERIAL	NOTES																															
<table border="1"> <thead> <tr> <th colspan="2">MM (INCH)</th> <th>DFTO Zhuwm</th> <th>DATE 03/13/06</th> </tr> </thead> <tbody> <tr> <td colspan="2">TOLERANCES EXCEPT AS NOTED</td> <td>CHKD</td> <td>DATE</td> </tr> <tr> <td colspan="2"></td> <td>MFO</td> <td>DATE</td> </tr> <tr> <td colspan="2"></td> <td>APPVL</td> <td>DATE</td> </tr> <tr> <td colspan="2"></td> <td colspan="2">MATERIAL :</td> </tr> <tr> <td colspan="2">ANGLES ± 1°</td> <td colspan="2">G.E :</td> </tr> <tr> <td colspan="2"> </td> <td colspan="2">FINISH :</td> </tr> <tr> <td colspan="2">THIRD ANGLE PROJECTION</td> <td colspan="2">SCALE : 1:1</td> </tr> </tbody> </table>		MM (INCH)		DFTO Zhuwm	DATE 03/13/06	TOLERANCES EXCEPT AS NOTED		CHKD	DATE			MFO	DATE			APPVL	DATE			MATERIAL :		ANGLES ± 1°		G.E :				FINISH :		THIRD ANGLE PROJECTION		SCALE : 1:1		宁波高正电子有限公司 DEGSON ELECTRONICS CO., LTD NAME DG28H-A-XXP-1Y-00A (H) DRAWING NO. DG28H-E01 /PART NO. SIZE A3 REV T2 12/08/07		
MM (INCH)		DFTO Zhuwm	DATE 03/13/06																																	
TOLERANCES EXCEPT AS NOTED		CHKD	DATE																																	
		MFO	DATE																																	
		APPVL	DATE																																	
		MATERIAL :																																		
ANGLES ± 1°		G.E :																																		
		FINISH :																																		
THIRD ANGLE PROJECTION		SCALE : 1:1																																		
DO NOT SCALE DRAWING				SHEET 1 OF 1																																