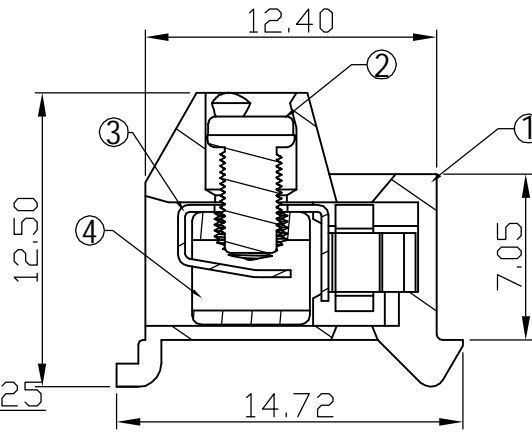
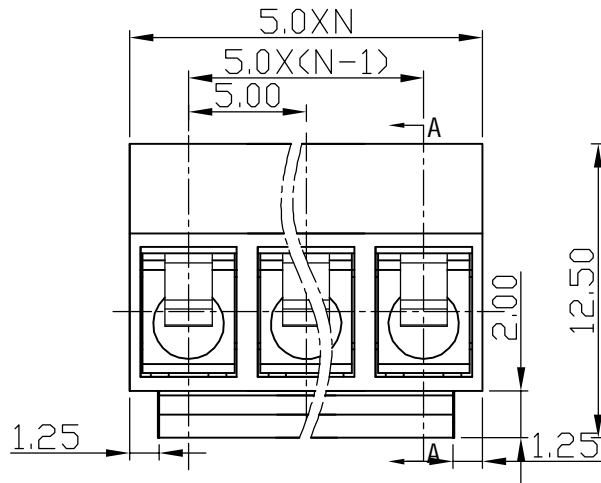
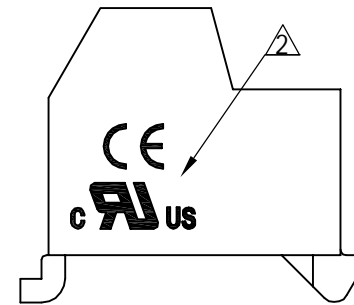
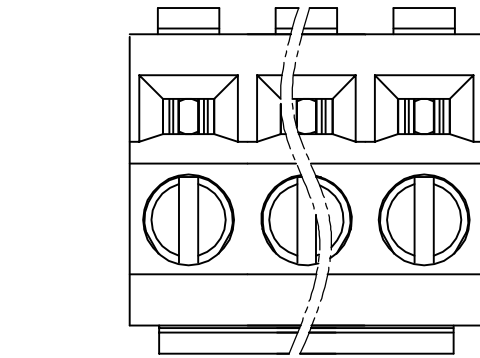


REVISION RECORD				
REV	ECD	DESCRIPTION	DRFT	DATE
△		品名、料号增加环保标示“(H)”	CSX	12/10/07
△		增加UL、CE刻字	CSX	02/25/08

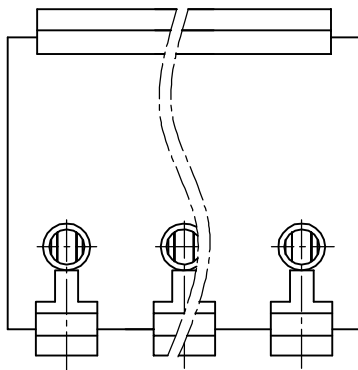


SECTION A-A

NOTES

1. pitch: 5.0mm
2. Rated voltage/current: UL 300V/10A
3. Insulation resistance: 5000Ω/1000V
4. Withstanding voltage: AC2000V/1Min
5. Wire range: 22-14AWG 2.5mm²
6. Temp. Range: -40℃~+105℃
7. Torque: 5. 10kgf.cm
8. Undimensioned Tolerances:

Pitch range in mm		Nominal dimension range in mm						
to	over	to	over	to	over	over		
6	10	10	30	60	100	150	∩	
6	10	24	30	60	100	150	∇	
±0.10	±0.15	±0.25	±0.2	±0.3	±0.5	±0.7	±1.0	0.05/10



4	DG331-Brass cage	X000000660(H)	XX	Brass	Ni plated
3	DG331-wire guard	X000000650(H)	XX	Phosphor bronze	SnCe
2	DG331-Screws	S000001070(H)	XX	Steel	Cr ³⁺ Zn
1	DG331-5.0-Housing	4012A0YXXA(H)	1	PA66	UL94V-0
ITEM	NAME OF PART	NO. OF PART	Q'TY	MATERIAL	NOTES

DETACHED LISTS	MM (INCH)	DATE 07/05/07	宁波高正电子有限公司 DEGSON ELECTRONICS CO., LTD
	TOLERANCES EXCEPT AS NOTED	CHKD DATE	
	MM	MFD DATE	
	APPVL DATE		
MM	MATERIAL :	NAME	DG331-5.0-XXP-1Y-00A(H)
0 ± 0.20 ±	ANGLES ± 1°	G.E :	
00 ± 0.15 ±	FINISH:	DRAWING NO. DG331-E01	
000 ± 0.075 ±	THIRD ANGLE PROJECTION	SCALE : 1:1	DO NOT SCALE DRAWING
			SHEET 1 OF 1