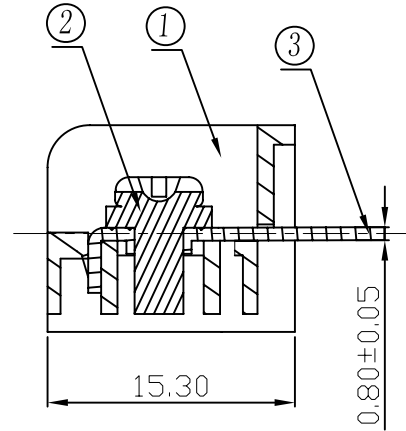
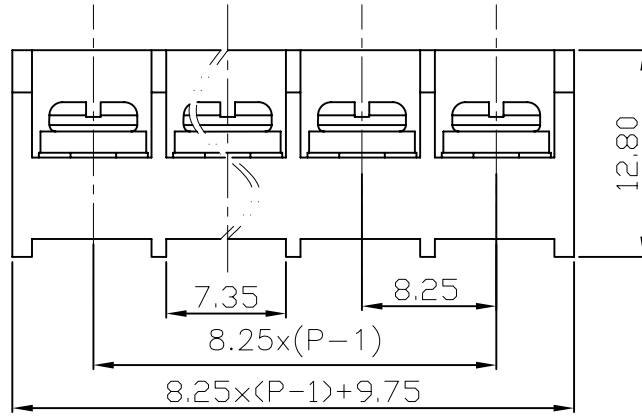


REVISION RECORD					
REV	ECD	DESCRIPTION	DRFT	DATE	
△		产品名称由DG36B变更为DG36R	CSX	02/18/06"	
△		增加口刻字, 针宽由1.1±0.05改为1.0±0.05	Ye j	12/16/06"	
△		出脚由5.6±0.3改为6.0±0.3	Ye j	02/02/07"	
△		品名、料号增加环保标识“(H)”	Ye j	12/08/07"	

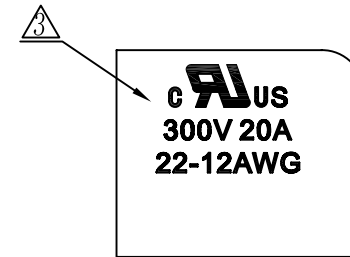
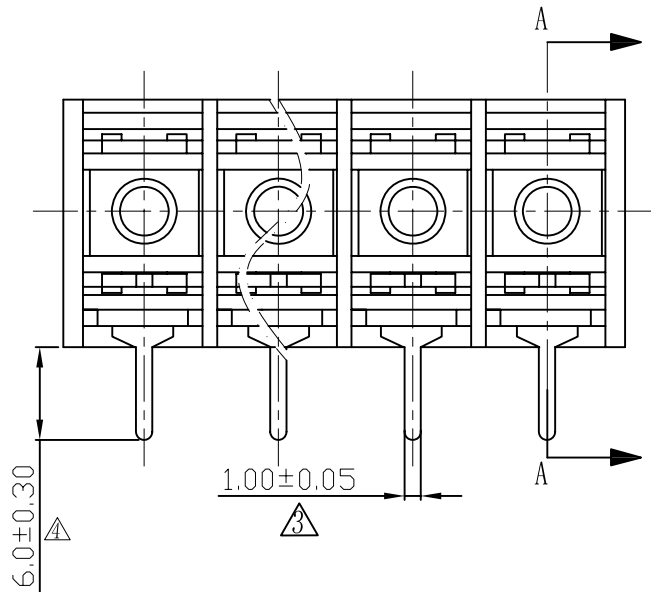


Section A-A

Notes:

- 1. pitch: 8.25mm
- 2. Rated voltage: 300V
- 3. Rated current: 20A
- 4. Insulation resistance: 500MΩ/500V
- 5. Withstanding voltage: AC2000V/1Min
- 6. Wire range: 22-12AWG 1.5mm²
- 7. Temp. Range: -40° C~+105° C
- 8. Torque: 5.1Kg. cm.
- 9. Undimensioned Tolerances:

Pitch range in mm		Nominal dimension range in mm				
to 6	over 6 to 10	over 10 to 24	over 30 to 60	over 60 to 100	over 100 to 150	—
±0.10	±0.15	±0.25 ±0.2	±0.3 ±0.5	±0.7 ±1.0	±0.06/±0.09	∅



3	DG36 level Pin header	5011B00030 (H)	XX	Brass	SnCe
2	M3*6 (6.5*6.5) bright and big cover screws	S000000490 (H)	XX	Steel	Ni plated
1	DG36R Housing	5011A0YXXA (H)	1	PA66	UL94V-0
ITEM	NAME OF PART	NO. OF PART	Q'TY	MATERIAL	NOTES

DETACHED LISTS	MM (INCH)	DFTD Zhwmm	DATE 03/19/04"	宁波高正电子有限公司 DEGSON ELECTRONICS CO., LTD	
	TOLERANCES EXCEPT AS NOTED	CHKD	DATE		
		MFD	DATE		
		APPVL	DATE		
	MM	±		NAME	
	.0 ±	±		DG36R-B-XXP-1Y-00A(H)	
	.00 ±	±		DRAWING NO. DG36R-E01	
	.000 ±	±		/PART NO.	
	ANGLES ± 1°	G.E		SIZE	REV
		FINISH:		A3	T5
	THIRD ANGLE PROJECTION	SCALE: 1:1		12/08/07"	
				DO NOT SCALE DRAWING	SHEET 1 OF 1