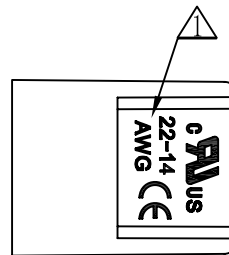
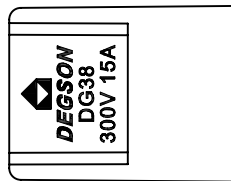
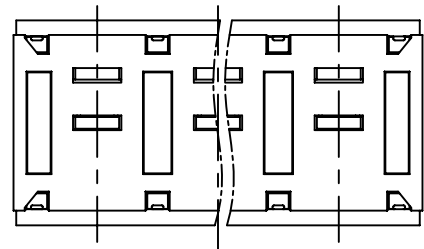
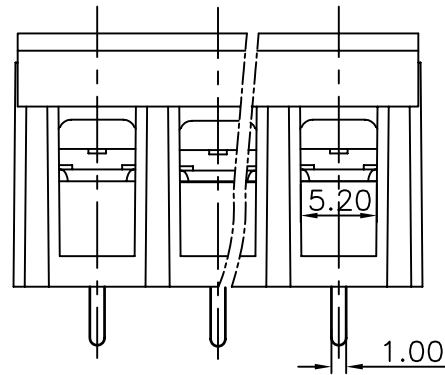
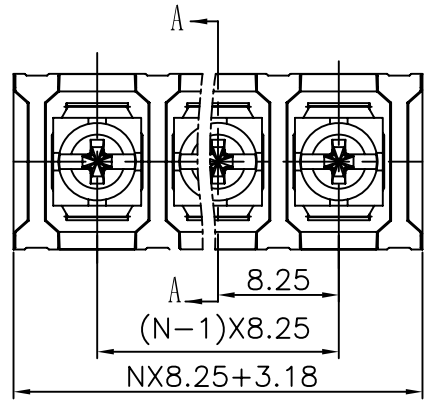
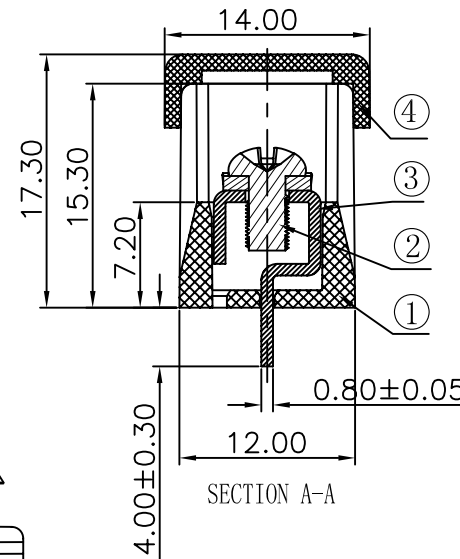


REVISION RECORD					
REV	ECO	DESCRIPTION	DRFT	DATE	
1		增加UL刻字	CSX	03/13/07	
2		品名、料号增加环保标识“(H)”	YeJ	12/08/07	



Notes:

1. Pitch:8.25mm , Poles:2-26P
2. Rated current:15A
3. Rated voltage:300V
4. Operation temperatures:-40° C~+105° C
5. Insulation Withstand Voltage:AC2000V/Min
6. Insulation Resistance:500MΩ /DC500V
7. Wire Range:22~14AWG
8. Max. Torque Value:5.1kgf.cm
9. Undimensioned Tolerances:



Pitch range in mm		Nominal dimension range in mm					
to	over	to	over	to	over	to	
6	10	10	30	60	100	150	∩
to 6	to 10	to 24	to 30	to 60	to 100	to 150	∇
±0.10	±0.15	±0.25	±0.2	±0.3	±0.5	±0.7	±1.0
							0.05/10

4	DG38-Cover	5050C07XXA (H)	1	PC	
3	DG28C Pin header	5006B00010 (H)	XX	Brass	SnCe plated
2	M3*6 (6*6) bright Screws	S000000450 (H)	XX	Steel	Ni plated

1	DG38-B housing	5050A0YXXA (H)	1	PA66+23%GF	UL94V-0																
ITEM	NAME OF PART	NO. OF PART	Q'TY	MATERIAL	NOTES																
<table border="1"> <thead> <tr> <th>MM (INCH)</th> <th>TOLERANCES EXCEPT AS NOTED</th> </tr> </thead> <tbody> <tr> <td>.0 ±</td> <td>±</td> </tr> <tr> <td>.00 ±</td> <td>±</td> </tr> <tr> <td>.000 ±</td> <td>±</td> </tr> </tbody> </table>		MM (INCH)	TOLERANCES EXCEPT AS NOTED	.0 ±	±	.00 ±	±	.000 ±	±	<table border="1"> <thead> <tr> <th>DFTO Zhuwm</th> <th>DATE 12/28/05</th> </tr> </thead> <tbody> <tr> <td>CHKD</td> <td>DATE</td> </tr> <tr> <td>MFO</td> <td>DATE</td> </tr> <tr> <td>APPVL</td> <td>DATE</td> </tr> </tbody> </table>		DFTO Zhuwm	DATE 12/28/05	CHKD	DATE	MFO	DATE	APPVL	DATE	<p>DEGSON® 宁波高正电子有限公司 DEGSON ELECTRONICS CO., LTD</p>	
MM (INCH)	TOLERANCES EXCEPT AS NOTED																				
.0 ±	±																				
.00 ±	±																				
.000 ±	±																				
DFTO Zhuwm	DATE 12/28/05																				
CHKD	DATE																				
MFO	DATE																				
APPVL	DATE																				
<table border="1"> <thead> <tr> <th>ANGLES ± 1°</th> <th>G.E :</th> </tr> </thead> <tbody> <tr> <td>THIRD ANGLE PROJECTION</td> <td>FINISH :</td> </tr> </tbody> </table>		ANGLES ± 1°	G.E :	THIRD ANGLE PROJECTION	FINISH :	<p>NAME DG38C-B-XXP-1Y-00A (H)</p>		<p>DRAWING NO. DG38C-E02</p>													
ANGLES ± 1°	G.E :																				
THIRD ANGLE PROJECTION	FINISH :																				
<p>SCALE : 1:1</p>		<p>DO NOT SCALE DRAWING</p>		<p>SHEET 1 OF 1</p>																	