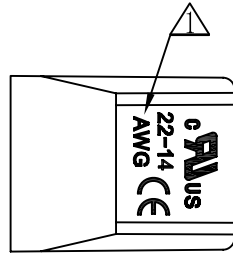
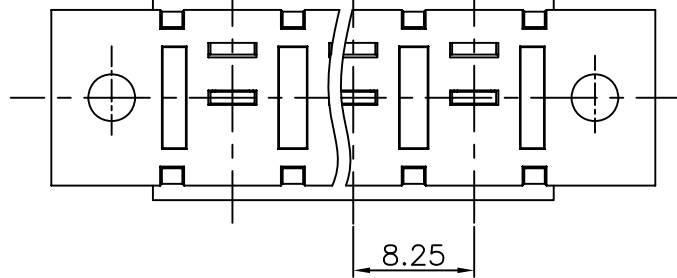
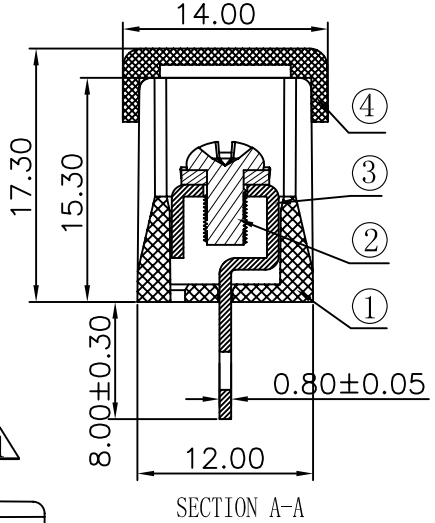
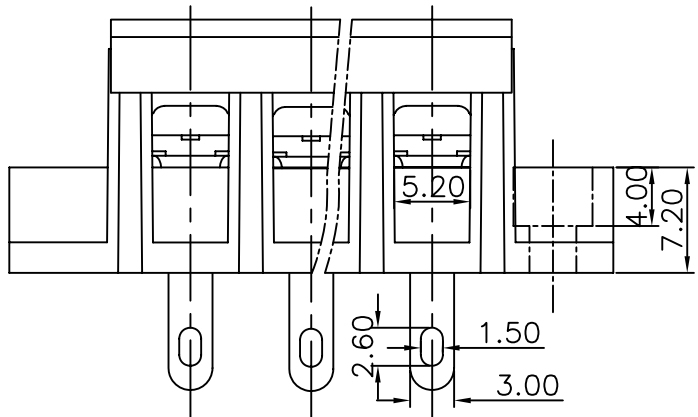


- Notes:
1. Pitch:8.25mm ,Poles:2-24P
 2. Rated current:15A
 3. Rated voltage:300V
 4. Operation temperatures:-40° C~+105° C
 5. Insulation Withstand Voltage:AC2000V/Min
 6. Insulation Resistance:500MΩ/DC500V
 7. Wire Range:22~14AWG
 8. Max. Torque Value:5.1kgf.cm
 9. Undimensioned Tolerances:

REVISION RECORD				
REV	ECO	DESCRIPTION	DRFT	DATE
1		增加UL刻字	CSX	03/13/07
2		品名、料号增加环保标识“00”	YeJ	12/08/07

Pitch range in mm		Nominal dimension range in mm						
to	over	to	over	to	over	to		
6	6 to 10	10 to 24	30 to 60	60 to 100	100 to 150	150 to	□	
	±0.10	±0.15	±0.25	±0.2	±0.3	±0.5	±0.7	
							±1.0	
							0.05/10	



4	DG38-Cover	5050C07XXA (H)	1	PC	
3	DG28H Pin header	5006B00050 (H)	XX	Brass	SnCe plated
2	M3*6 (6*6) bright Screws	S000000450 (H)	XX	Steel	Ni plated

1	DG38-A housing	5050M0YXXA (H)	1	PA66+23%GF	UL94V-0
ITEM	NAME OF PART	NO. OF PART	Q'TY	MATERIAL	NOTES
DETACHED LISTS	MM (INCH)	DFTO Zhuwm	DATE 12/28/05	宁波高正电子有限公司 DEGSON ELECTRONICS CO., LTD NAME DG38H-A-XXP-1Y-00A (H) DRAWING NO. DG38H-E01 /PART NO.	
	TOLERANCES EXCEPT AS NOTED	CHKD	DATE		
		MFO	DATE		
		APPVL	DATE		
		MATERIAL :			
	ANGLES ± 1°	G.E :		SIZE	REV
		FINISH :		A3	T2
	THIRD ANGLE PROJECTION	SCALE : 1:1		12/08/07	
		DO NOT SCALE DRAWING		SHEET 1	OF 1