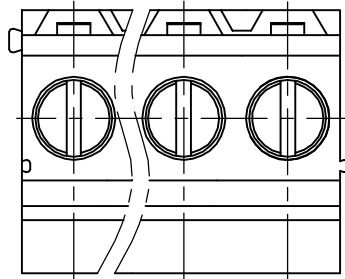
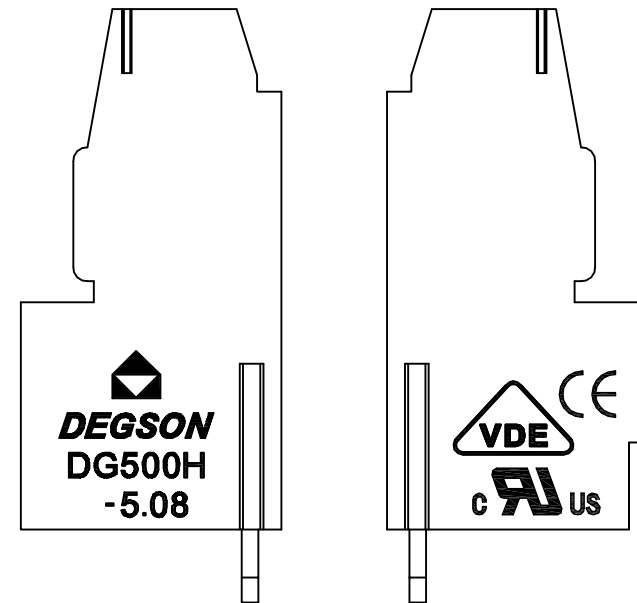
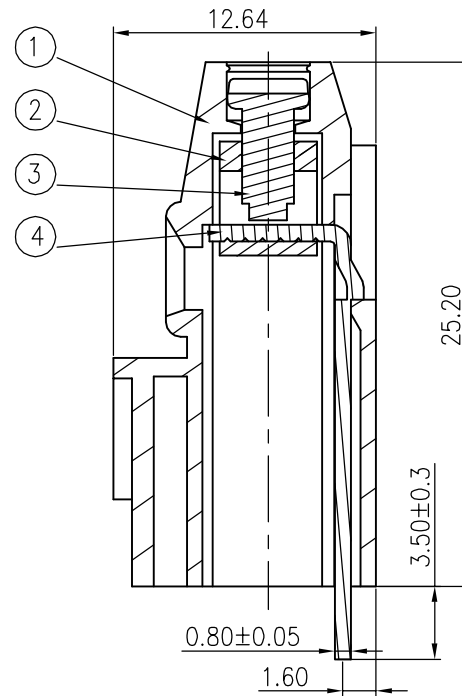
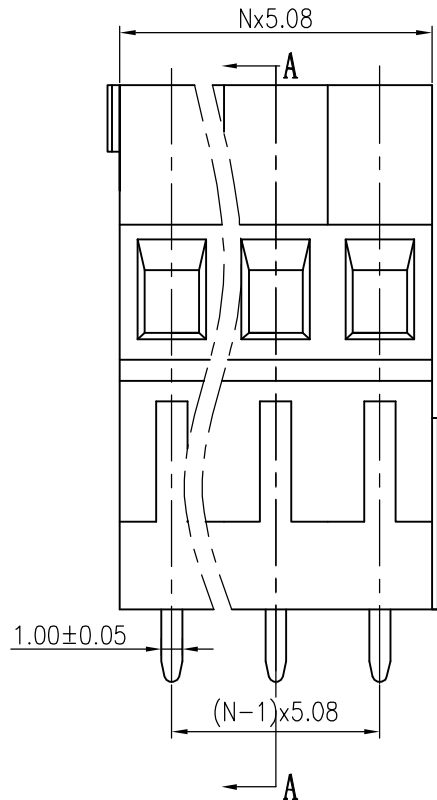


REVISION RECORD				
REV	ECO	DESCRIPTION	DRFT	DATE
△		Drawing Revise	Haoyh	03/08/06
△		品名、料号增加环保标示“RoHS”	CSX	12/10/07



- Notes:
- Pitch:5.08mm
 - Rated voltage/current:UL 300V/20A
VDE 250V/24A
 - Operation temperatures:-40° C~+105° C
 - Insulation Withstand Voltage:AC2000V/1min
 - Insulation Resistance:5000MΩ/DC1000V
 - Wire Range:28-12AWG, 2.5mm²
 - Max. Torque Value: M2.5 4.08kgf.cm
 - Undimensioned Tolerances:

Pitch range in mm			Nominal dimension range in mm				
to 6	over 6 to 10	over 10 to 24	to 30	over 30 to 60	over 60 to 100	over 100 to 150	—
±0.10	±0.15	±0.25	±0.2	±0.3	±0.5	±0.7	±1.0
							0.05/10



4	DG500H-Pin header	4038B00010 (H)	XX	Barss	SnCe
3	DG128"-Screws	S000001460 (H)	XX	Steel	Cr ³⁺ Zn
2	DG128 Cage	X000000020 (H)	XX	Brass	Ni plated

ITEM	NAME OF PART	NO. OF PART	Q'TY	MATERIAL	NOTES
1	DG500H-5.08-Housing	4038A0YXXA (H)	1	PA66	UL94V-0

DETAILED LISTS	MM (INCH)	DFTO Zhwm	DATE 07/19/04
		CHKD	DATE
		MFO	DATE
		APPVL	DATE
		MATERIAL :	
		ANGLES ± 1°	G.E :
		FINISH :	
		SCALE : 1:1	

		DEGSON® 宁波高正电子有限公司 DEGSON ELECTRONICS CO., LTD	
NAME			
DG500H-5.08-XXP-1Y-00A(H)		DRAWING NO. DG500H-5.08-E01	
/PART NO.		SIZE	REV
		A3	T2
			12/10/07
DO NOT SCALE DRAWING		SHEET 1	OF 1