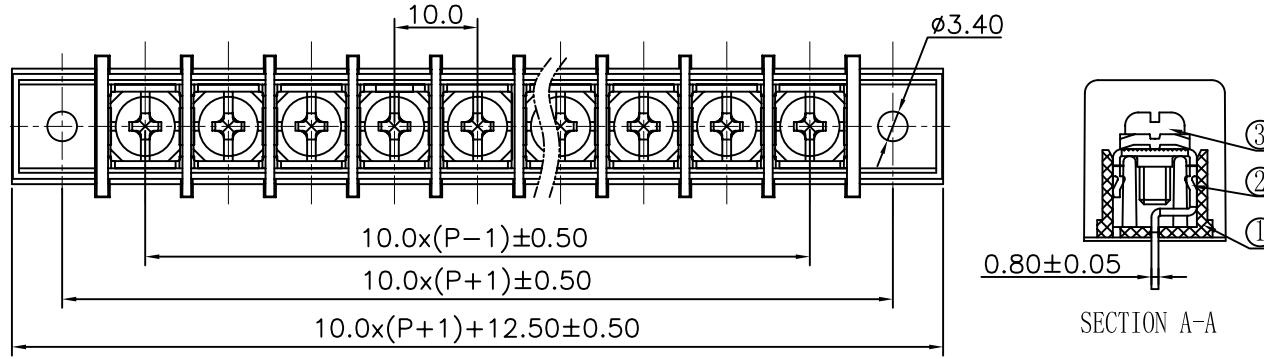


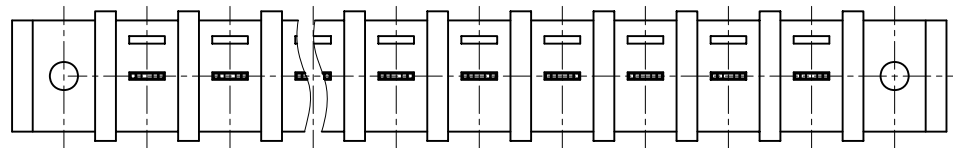
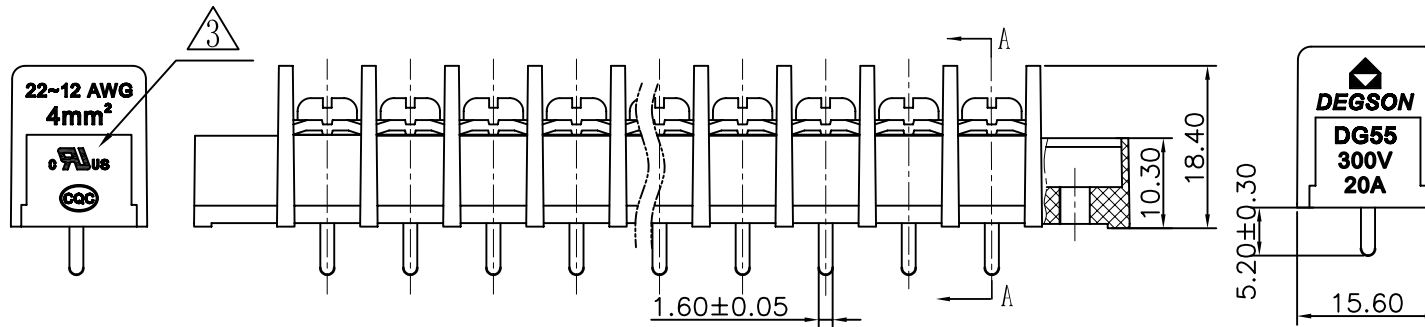
REVISION RECORD				
REV	ECO	DESCRIPTION	DRFT	DATE
2		图面更新	HW	06/09/06
3		增加UL刻字	YeJ	01/29/07
4		品名、料号增加环保标识“(H)”	YeJ	12/08/07



Notes:

1. Pitch:10.0mm Pole:2-24P
2. Rated current:20A
3. Rated voltage:300V
4. Operation temperatures:-40℃~+105℃
5. Withstanding Voltage:AC2000V/1Min
6. Insulation Resistance:500MΩ/DC500V
7. Wire Range:22~12AWG
8. Max. Torque Value: 12.24kgf.cm.
9. Undimensioned Tolerances:

Pitch range in mm		Nominal dimension range in mm					
over 6 to 10	over 10 to 24	over 30 to 60	over 60 to 100	over 100 to 150	over 150 to 200		
±0.10	±0.15	±0.25	±0.2	±0.3	±0.5	±0.7	
						±1.0	



3	4*8 bright Screws	S000000570 (H)	XX	Steel	Ni Plated
2	DG45C Pin header	5003B00010 (H)	XX	Brass	SnCe

1	DG55C-A Housing	5004MOYXXA (H)	1	PA66	UL94V-0
ITEM	NAME OF PART	NO. OF PART	Q"TY	MATERIAL	NOTES
TOLERANCES EXCEPT AS NOTED		DFTO WSJ	DATE 11/03/03"	宁波高正电子有限公司 DEGSON ELECTRONICS CO., LTD NAME DG55C-A-XXP-1Y-00A(H)	
MM (INCH)		CHKD	DATE		
.0 ±		MFO	DATE		
.00 ±		APPVL	DATE		
.000 ±		MATERIAL :		DRAWING NO. DG55C-E03	
ANGLES ± 1'		G.E :		/PART NO.	
THIRD ANGLE PROJECTION		FINISH :		SIZE A3	
		SCALE : 1:1		REV T4 12/08/07"	
DO NOT SCALE DRAWING			SHEET 1 OF 1		