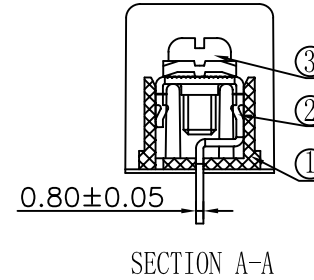
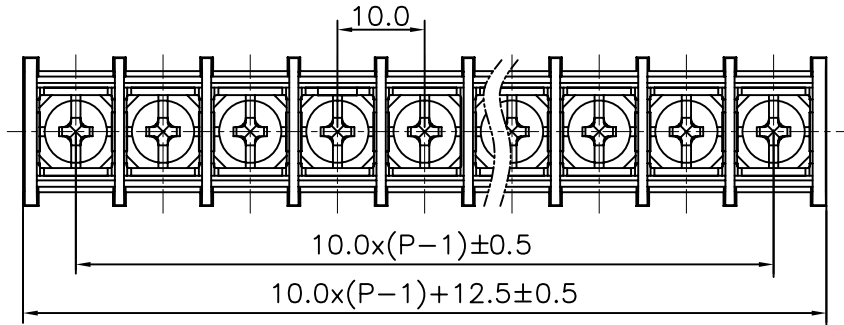


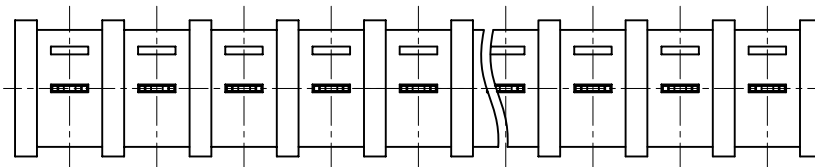
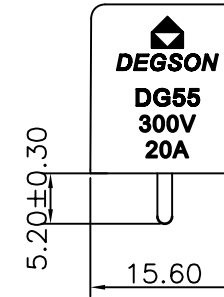
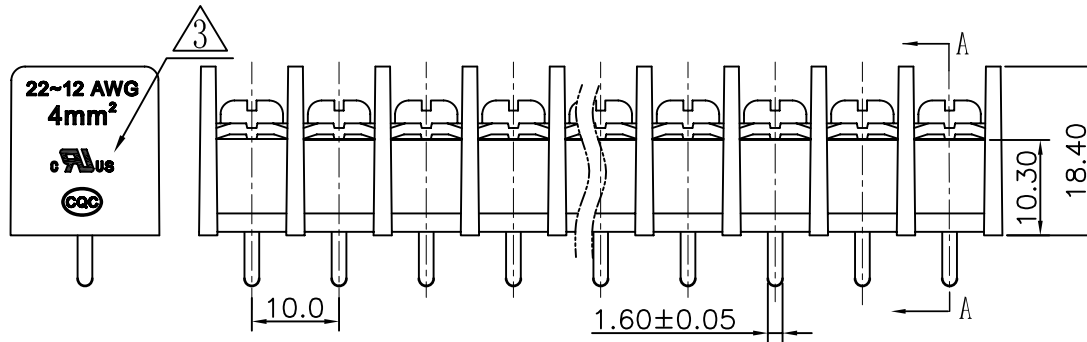
REVISION RECORD				
REV	ECO	DESCRIPTION	DRFT	DATE
2		图面更新	HW	06/09/06
3		增加UL刻字	Yej	01/29/07
4		品名、料号增加环保标识“(H)”	Yej	12/08/07



Notes:

1. Pitch:10.0mm Pole:2-26P
2. Rated current:20A
3. Rated voltage:300V
4. Operation temperatures:-40°C~+105°C
5. Withstanding Voltage:AC2000V/1Min
6. Insulation Resistance:500MΩ/DC500V
7. Wire Range:22~12AWG
8. Max. Torque Value: 12.24kgf.cm.
9. Undimensioned Tolerances:

Pitch range in mm		Nominal dimension range in mm					
to 6	over 6 to 10	over 10 to 24	over 30 to 60	over 60 to 100	over 100 to 150	over 150	□
±0.10	±0.15	±0.25	±0.2	±0.3	±0.5	±0.7	±1.0/0.05/0.0



3	4*8 bright Screws	S000000570 (H)	XX	Steel	Ni Plated
2	DG45C Pin header	5003B00010 (H)	XX	Brass	SnCe

1	DG55C-B Housing	5004A0YXXA (H)	1	PA66	UL94V-0	
ITEM	NAME OF PART	NO. OF PART	Q'TY	MATERIAL	NOTES	
DETACHED LISTS	MM (INCH)	DFTO WSJ	DATE 11/03/03	宁波高正电子有限公司 DEGSON ELECTRONICS CO., LTD NAME: DG55C-B-XXP-1Y-00A(H)		
	TOLERANCES EXCEPT AS NOTED		CHKD			DATE
			MFO			DATE
			APPVL			DATE
			MATERIAL :			
ANGLES ± 1°		G.E :		DRAWING NO. DG55C-E01	SIZE A3	
THIRD ANGLE PROJECTION		FINISH :		/PART NO.	REV T4 12/08/07	
SCALE : 1:1			DO NOT SCALE DRAWING		SHEET 1 OF 1	