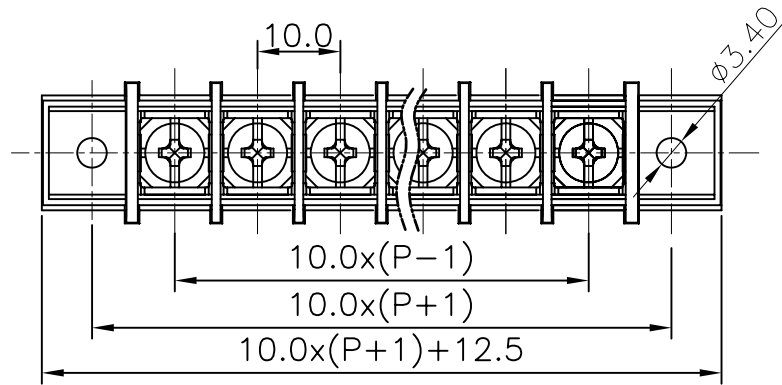


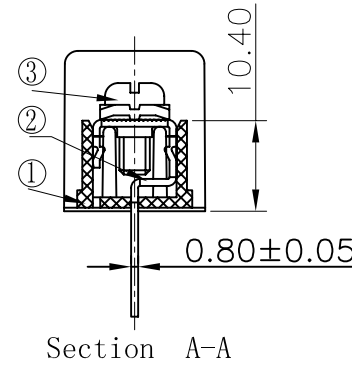
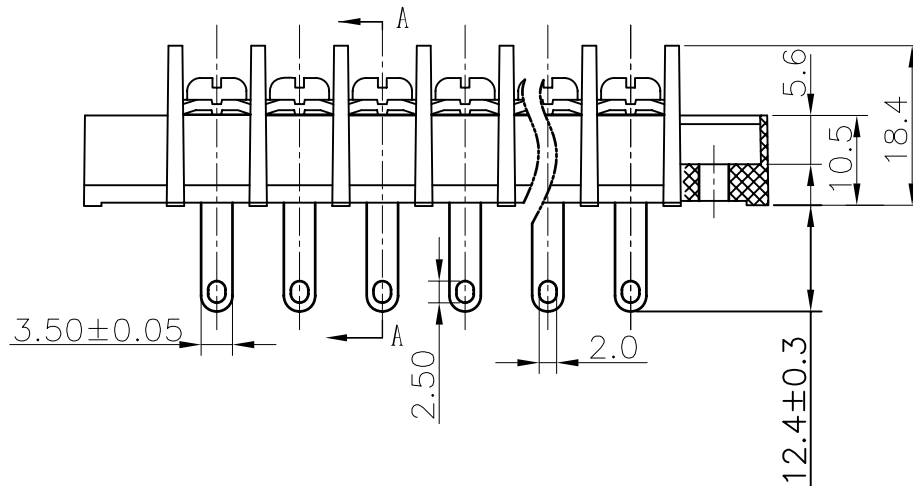
REVISION RECORD				
REV	ECO	DESCRIPTION	DRFT	DATE
△1		图面更新	HW	06/13/06*
△2		增加UL刻字	YeJ	01/30/07*



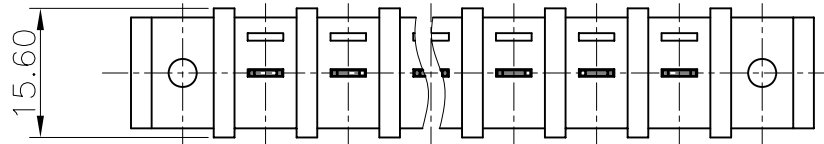
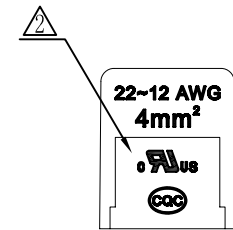
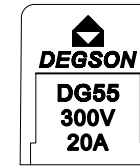
Notes:

1. Pitch:10mm , Poles:2-24P
2. Rated current:20A
3. Rated voltage:300V
4. Operation temperatures:-40° C~+105° C
5. Insulation Withstand Voltage:AC2000V/1Min
6. Insulation Resistance:500MΩ/DC500V
7. Wire Range:22~12AWG
8. Max. Torque Value:12. 24kgf. cm
9. Undimensioned Tolerances:

Pitch range in mm		Nominal dimension range in mm						
to	over	to	over	over	over			
6	10	6	30	90	200	∩		
6	24	6	30	90	200	480	∇	
±0.10	±0.15	±0.25	±0.1	±0.2	±0.3	±0.5	±0.7	0.05/10



Section A-A



3	4*8 (7.5*7.5) bright Screw	S000000570 (H)	XX	Steel	Ni Plated
2	DG45H Pin header	5003B00040 (H)	XX	Brass	SnCe Plated

1	DG55H-A Housing	5004MOYXXA (H)	1	PA66	UL94V-0
ITEM	NAME OF PART	NO. OF PART	Q'TY	MATERIAL	NOTES
DETACHED LISTS	MM (INCH)	DFTO Home	DATE 12/09/05*	宁波高正电子有限公司 DEGSON ELECTRONICS CO., LTD NAME DG55H-A-XXP-1Y-00A(H) DRAWING NO. DG55H-E04 /PART NO. FINISH : SCALE : 1:1 DO NOT SCALE DRAWING	
	TOLERANCES EXCEPT AS NOTED	CHKD	DATE		
	MM	MFO	DATE		
	.0 ±	APPVL	DATE		
	.00 ±	MATERIAL :			
.000 ±	ANGLES ± 1°	G.E :		SIZE A3	REV T2
	THIRD ANGLE PROJECTION	FINISH :		1	01/30/07*