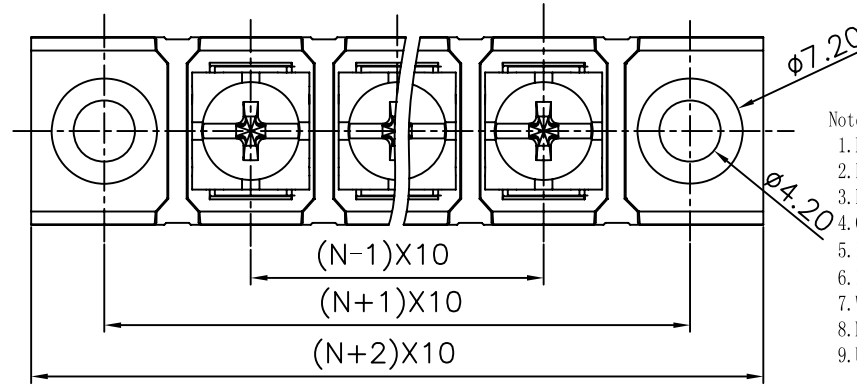
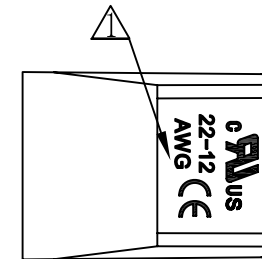
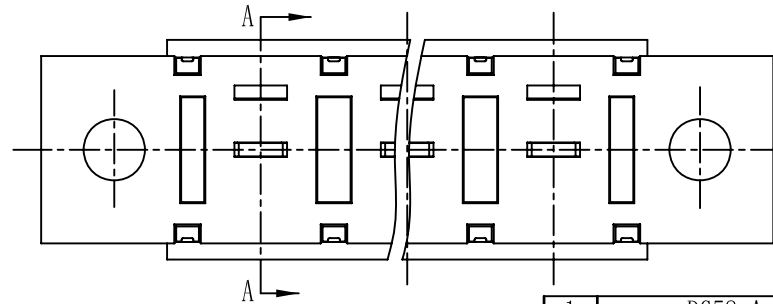
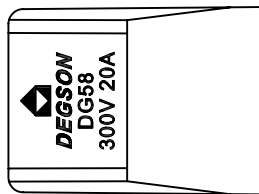
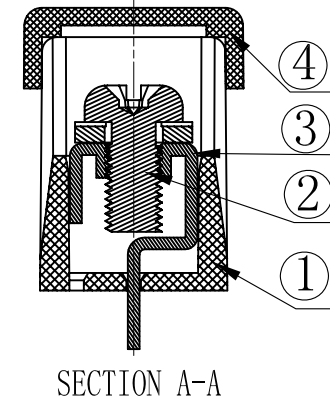
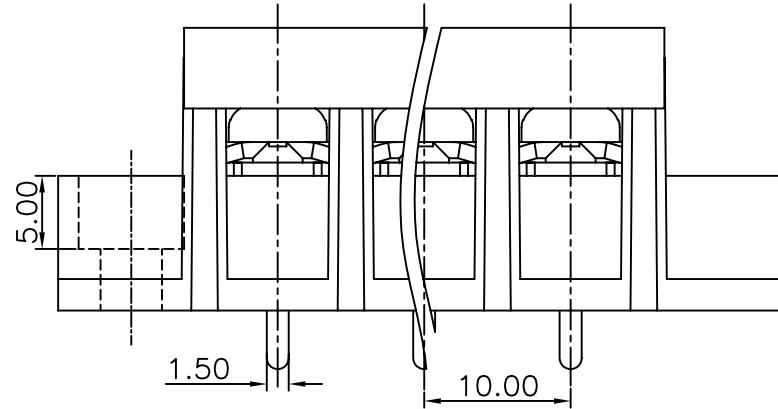
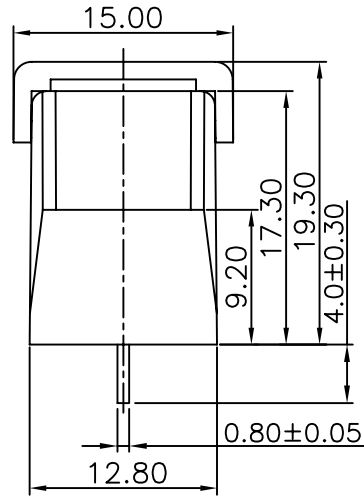


REVISION RECORD				
REV	ECO	DESCRIPTION	DRFT	DATE
△		增加UL刻字	CSX	03/13/07
△		品名、料号增加环保标识“H”	YeJ	12/08/07



- Notes:
1. Pitch:10mm , Poles:2-20P
 2. Rated current:20A
 3. Rated voltage:300V
 4. Operation temperatures:-40° C~+105° C
 5. Insulation Withstand Voltage:AC2000V/Min
 6. Insulation Resistance:500MΩ /DC500V
 7. Wire Range:22~14AWG
 8. Max. Torque Value:12.24kgf.cm
 9. Undimensioned Tolerances:

Pitch range in mm		Nominal dimension range in mm						
over 6 to 10	over 10 to 24	over 30 to 60	over 60 to 100	over 100 to 150	over 150			
±0.10	±0.15	±0.25	±0.2	±0.3	±0.5	±0.7	1.0	0.05/0



4	DG58-Cover	5008C07XXA (H)	1	PC	
3	DG58C Pin header	5008B00010 (H)	XX	Brass	SnCe plated
2	M4*8 (7.5*7.5) bright Screws	S000000570 (H)	XX	Steel	Ni plated

1	DG58-A Housing	5008MOYXXA (H)	1	PA66+23%GF	UL94V-0
ITEM	NAME OF PART	NO. OF PART	Q'TY	MATERIAL	NOTES
TOLERANCES EXCEPT AS NOTED		DFTO Zhuwm DATE 01/13/06"		CHKD DATE	
MM (INCH)		MFO DATE		APPVL DATE	
MM		MATERIAL :		NAME	
.0 ±		ANGLES ± 1°		G.E :	
.00 ±		THIRD ANGLE PROJECTION		FINISH :	
.000 ±		SCALE : 1:1		DRAWING NO. DG58C-E01	
		DO NOT SCALE DRAWING		/PART NO.	
		SHEET 1		SIZE A3	
		OF 1		REV T2 12/08/07	