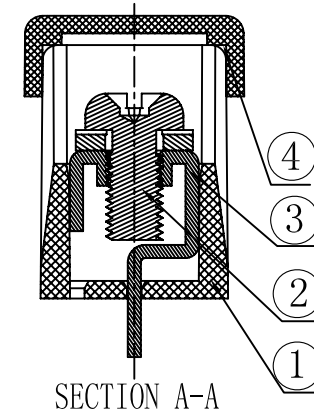
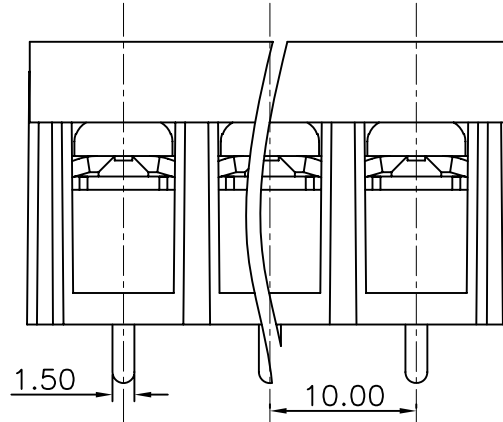
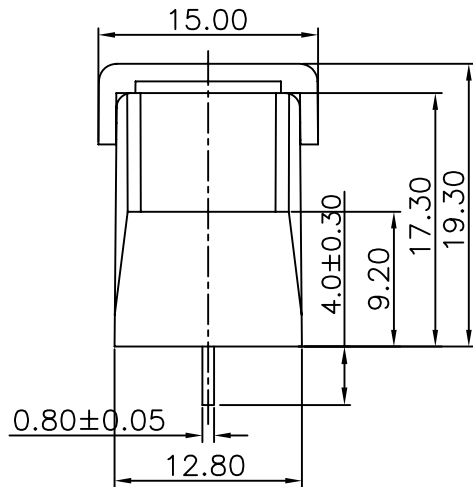
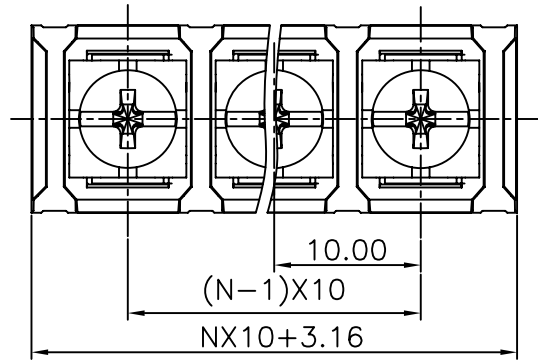


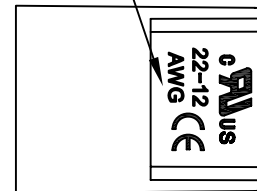
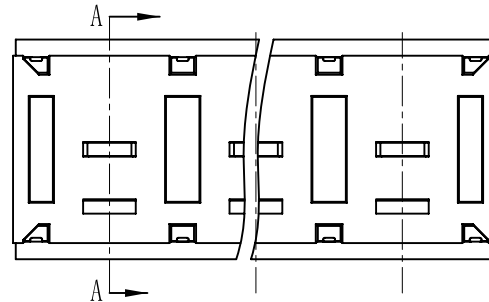
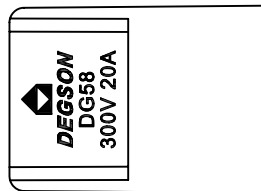
| REVISION RECORD | | | | |
|-----------------|-----|------------------|------|----------|
| REV | ECO | DESCRIPTION | DRFT | DATE |
| △ | | 增加UL刻字 | CSX | 03/13/07 |
| △ | | 品名、料号增加环保标识“(H)” | Ye j | 12/08/07 |



Notes:

1. Pitch:10mm ,Poles:2-22P
2. Rated current:20A
3. Rated voltage:300V
4. Operation temperatures:-40° C~+105° C
5. Insulation Withstand Voltage:AC2000V/Min
6. Insulation Resistance:500MΩ /DC500V
7. Wire Range:22~14AWG
8. Max. Torque Value:12.24kgf. cm
9. Undimensioned Tolerances:

| Pitch range in mm | | Nominal dimension range in mm | | | | | | |
|-------------------|---------|-------------------------------|----------|----------|------------|------------|------------|---------|
| to | over | to | over | to | over | to | over | |
| 6 | 6 to 10 | 10 to 24 | 30 to 30 | 60 to 60 | 100 to 100 | 150 to 150 | 150 to 150 | 0.05/10 |
| ±0.10 | ±0.15 | ±0.25 | ±0.2 | ±0.3 | ±0.5 | ±0.7 | ±1.0 | 0.05/10 |



| | | | | | |
|---|----------------------------|----------------|----|-------|-------------|
| 4 | DG58-Cover | 5008C07XXA (H) | 1 | PC | |
| 3 | DG58C Pin header | 5008B00010 (H) | XX | Brass | SnCe plated |
| 2 | M4*8(7.5*7.5)bright Screws | S000000570 (H) | XX | Steel | Ni plated |

| 1 | DG58-B-Housing | 5008A0YXXA (H) | 1 | PA66+23%GF | UL94V-0 |
|----------------------------|----------------|---------------------------|------|---|---------|
| ITEM | NAME OF PART | NO. OF PART | Q'TY | MATERIAL | NOTES |
| TOLERANCES EXCEPT AS NOTED | | DFTO Zhuwm DATE 01/13/06" | | 宁波高正电子有限公司 DEGSON ELECTRONICS CO., LTD | |
| MM (INCH) | | CHKD DATE | | NAME | |
| .0 ± | | MFO DATE | | DG58C-B-XXP-1Y-00A(H) | |
| .00 ± | | APPVL DATE | | DRAWING NO. DG58C-E02 | |
| .000 ± | | MATERIAL : | | /PART NO. | |
| ANGLES ± 1° | | G.E : | | SIZE A3 | |
| THIRD ANGLE PROJECTION | | FINISH : | | REV T2 | |
| | | SCALE : 1:1 | | 12/08/07" | |
| DO NOT SCALE DRAWING | | | | SHEET 1 OF 1 | |