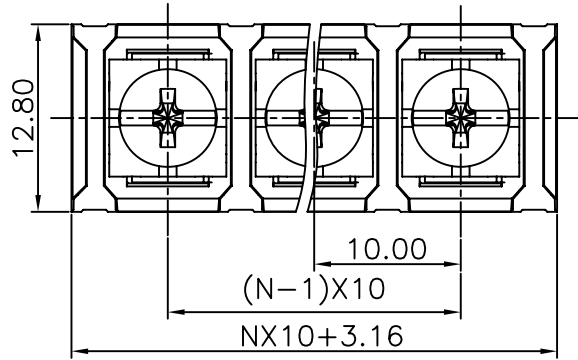
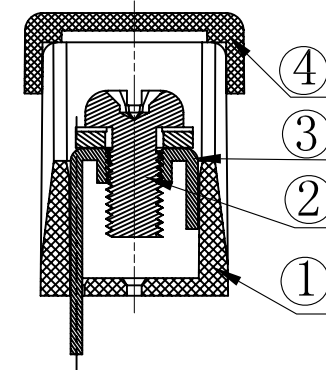
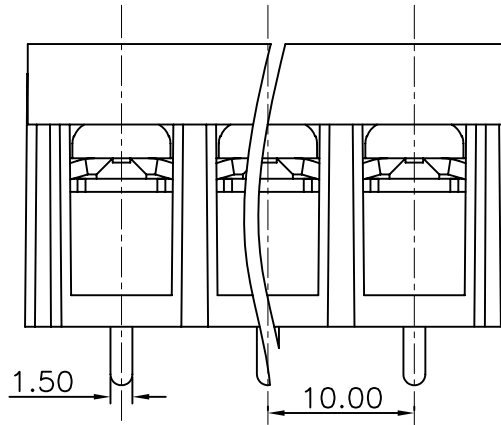
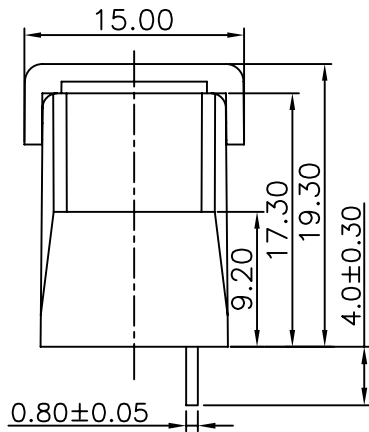


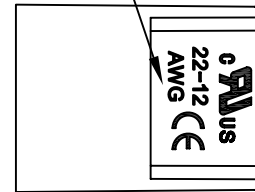
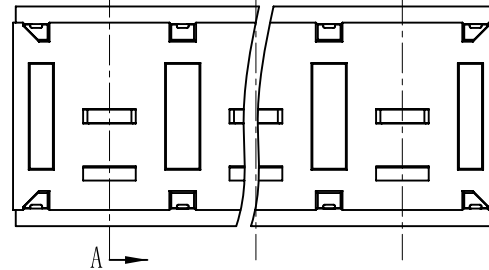
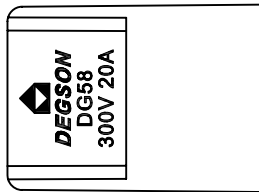
| REVISION RECORD | | | | |
|-----------------|-----|------------------|------|----------|
| REV | ECO | DESCRIPTION | DRFT | DATE |
| △ | | 增加UL刻字 | CSX | 03/13/07 |
| △ | | 品名、料号增加环保标识“(H)” | YeJ | 12/08/07 |



- Notes:
1. Pitch: 10mm, Poles: 2-22P
 2. Rated current: 20A
 3. Rated voltage: 300V
 4. Operation temperatures: -40° C ~ +105° C
 5. Insulation Withstand Voltage: AC2000V/Min
 6. Insulation Resistance: 500MΩ / DC500V
 7. Wire Range: 22~14AWG
 8. Max. Torque Value: 12. 24kgf. cm
 9. Undimensioned Tolerances:



| Pitch range in mm | | Nominal dimension range in mm | | | | | | |
|-------------------|-------|-------------------------------|------|------|------|------|------|---------|
| to | over | to | over | to | over | to | | |
| 6 | 10 | 30 | 60 | 100 | 150 | ∩ | | |
| 6 | 24 | 30 | 60 | 100 | 150 | ∇ | | |
| ±0.10 | ±0.15 | ±0.25 | ±0.2 | ±0.3 | ±0.5 | ±0.7 | ±1.0 | 0.05/10 |



| | | | | | |
|---|------------------------------|----------------|----|-------|-------------|
| 4 | DG58-Cover | 5008C07XXA (H) | 1 | PC | |
| 3 | DG58S Pin header | 5008B00030 (H) | XX | Brass | SnCe plated |
| 2 | M4*8 (7.5*7.5) bright Screws | S000000570 (H) | XX | Steel | Ni plated |

| 1 | DG58-B-Housing | 5008A0YXXA (H) | 1 | PA66+23%GF | UL94V-0 |
|----------------------------|----------------|----------------|----------------|---------------------------------------------------|---------|
| ITEM | NAME OF PART | NO. OF PART | Q'TY | MATERIAL | NOTES |
| TOLERANCES EXCEPT AS NOTED | | DFTO Zhuwm | DATE 01/13/06" | DEGSON® 宁波高正电子有限公司 DEGSON ELECTRONICS CO., LTD | |
| MM (INCH) | | CHKD | DATE | NAME | |
| .0 ± | | MFO | DATE | DG58S-B-XXP-1Y-00A(H) | |
| .00 ± | | APPVL | DATE | DRAWING NO. DG58S-E02 | |
| .000 ± | | MATERIAL : | | /PART NO. | |
| ANGLES ± 1° | | G.E : | | SIZE | REV |
| THIRD ANGLE PROJECTION | | FINISH : | | A3 | T2 |
| | | SCALE : 1:1 | | 12/08/07" | |
| DO NOT SCALE DRAWING | | | | SHEET 1 | OF 1 |