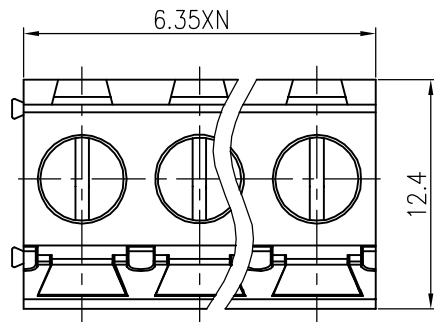


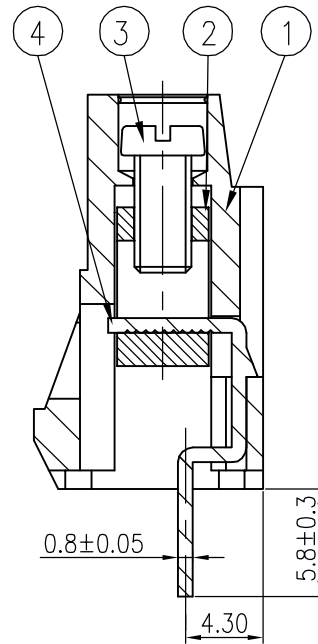
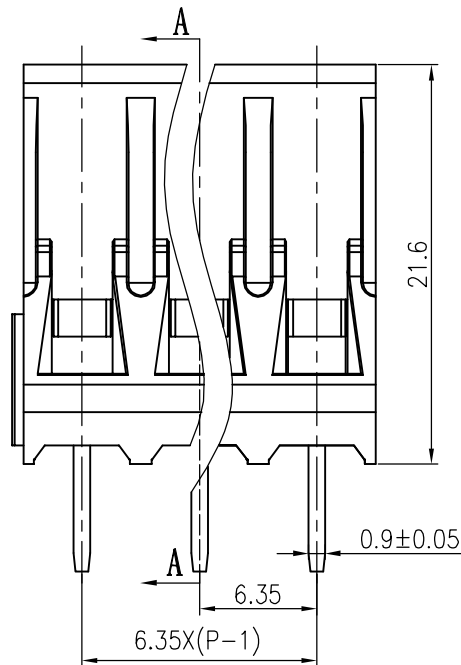
REVISION RECORD					
REV	ECO	DESCRIPTION	DRFT	DATE	
△		Drawing Revise	Haoyh	03/27/06	
△		增加UL刻字	csx	10/04/06	H
△		增加VDE、CE标志	LJH	11/09/07*	
△		增加VDE参数	LJH	01/09/08*	



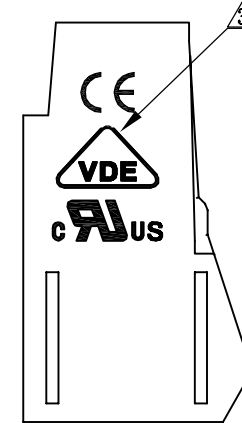
Notes:

1. Pitch: 6.35mm
2. Rated volatge/current: UL 300V/30A
VDE 450V/32A
3. Insulation resistance: 5000MΩ/DC1000V
4. Withstanding voltage: AC2000V/1Min
5. Wire range: 26-10 AWG 4mm²
6. Temp, range: -40° C~+105° C
7. Torque: 5. 10kgf.cm
8. Undimensioned Tolerances:

Pitch range in mm			Nominal dimension range in mm					
to	over	over	to	over	over	over		
6	6 to 10	10 to 24	30	30 to 60	60 to 100	100 to 150	∩ ◇	
±0.10	±0.15	±0.25	±0.2	±0.3	±0.5	±0.7	±1.0	0.05/10



截面 A-A



4	DG635-Pin header	4030B00010 (H)	XX	Brass	SnCe
3	DG950"-Screws	S000001690 (H)	XX	Steel	Cr Zn
2	DG950 Cage	X000000310 (H)	XX	Brass	Ni plated

ITEM	NAME OF PART	NO. OF PART	Q'TY	MATERIAL	NOTES															
1	DG635-6.35 Housing	4030A0YXXA (H)	1	PA66	UL94V-0															
<table border="1"> <tr> <td>← MM (INCH) →</td> <td>DFTD Haoyh</td> <td>DATE 05/07/05*</td> </tr> <tr> <td>TOLERANCES EXCEPT AS NOTED</td> <td>CHKD</td> <td>DATE</td> </tr> <tr> <td></td> <td>MFO</td> <td>DATE</td> </tr> <tr> <td></td> <td>APPVL</td> <td>DATE</td> </tr> <tr> <td></td> <td>MATERIAL :</td> <td></td> </tr> </table>		← MM (INCH) →	DFTD Haoyh	DATE 05/07/05*	TOLERANCES EXCEPT AS NOTED	CHKD	DATE		MFO	DATE		APPVL	DATE		MATERIAL :		宁波高正电子有限公司 DEGSON ELECTRONICS CO., LTD			
← MM (INCH) →	DFTD Haoyh	DATE 05/07/05*																		
TOLERANCES EXCEPT AS NOTED	CHKD	DATE																		
	MFO	DATE																		
	APPVL	DATE																		
	MATERIAL :																			
<table border="1"> <tr> <td>MM</td> <td>±</td> </tr> <tr> <td>.0 ±</td> <td>±</td> </tr> <tr> <td>.00 ±</td> <td>±</td> </tr> <tr> <td>.000 ±</td> <td>±</td> </tr> </table>		MM	±	.0 ±	±	.00 ±	±	.000 ±	±	NAME DG635-6.35-XXP-1Y-00A(H)										
MM	±																			
.0 ±	±																			
.00 ±	±																			
.000 ±	±																			
ANGLES ± 1° 		G.E : FINISH : SCALE : 1:1		DRAWING NO. DG635-6.35-E01 /PART NO. DO NOT SCALE DRAWING																
DETACHED LISTS		SIZE A3		REV T4 01/09/08*																
			SHEET 1 OF 1																	