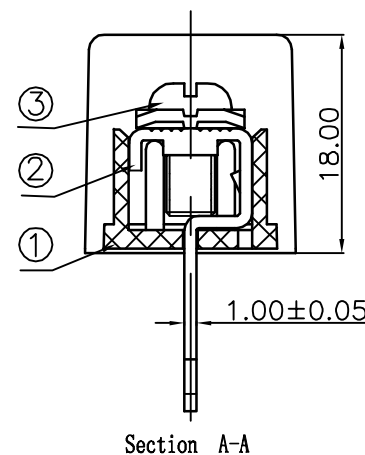
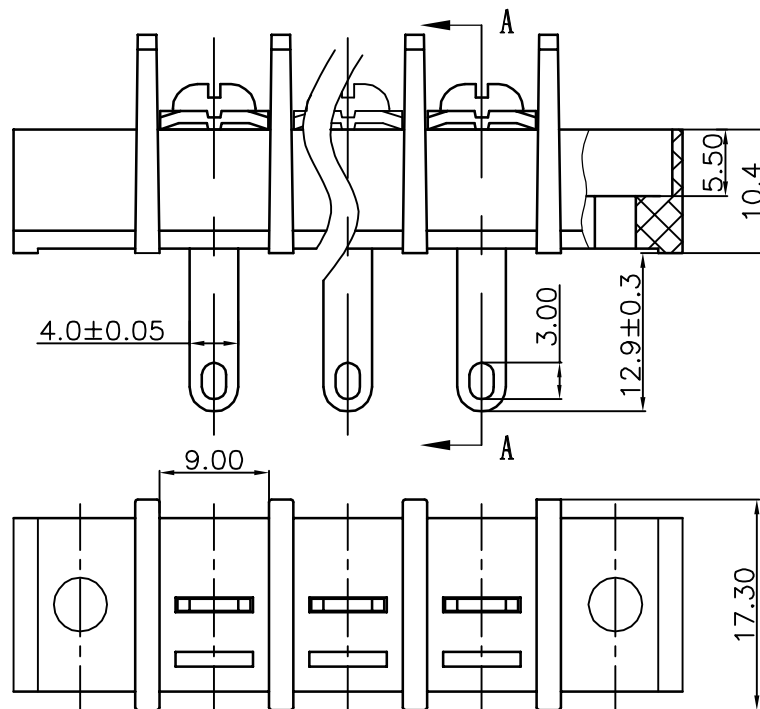
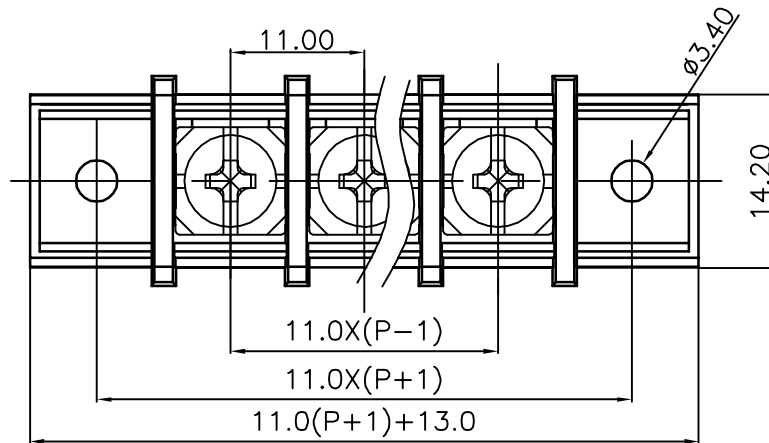


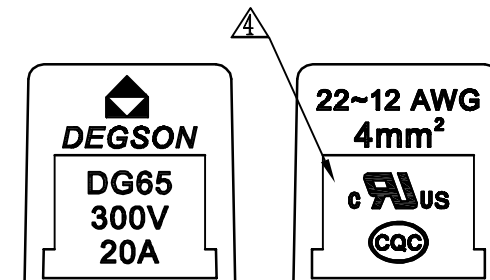
REVISION RECORD				
REV	ECO	DESCRIPTION	DRFT	DATE
△		图面更新	HW	06/08/06
△		增加UL刻字	CSX	11/23/06
△		品名、料号增加环保标识“(H)”	YeJ	12/08/07



Notes:

1. Pitch: 11.0mm Pole: 2-20P
2. Rated current: 20A
3. Rated voltage: 300V
4. Operation temperatures: -40°C ~ +105°C
5. Withstanding Voltage: AC2000V/1Min
6. Insulation Resistance: 500MΩ / DC500V
7. Wire Range: 22~12AWG
8. Max. Torque Value: 12.24kgf.cm
9. Undimensioned Tolerances:

Pitch range in mm		Nominal dimension range in mm					—
to	over	to	over	to	over	to	
6	10	6	10	30	60	100	150
6	10	10	24	30	60	100	150
±0.10	±0.15	±0.25	±0.2	±0.3	±0.5	±0.7	±1.0
							0.05/10



3	4*8(9*9) big cover and bright Screws	S000000580(H)	XX	Steel	Ni plated
2	DG65H Pin header	5005B00040(H)	XX	Brass	SnCe

1	DG65-A Housing	5005MOYXXA(H)	1	PA66	UL94V-0
ITEM	NAME OF PART	NO. OF PART	Q'TY	MATERIAL	NOTES
DETACHED LISTS	MM (INCH)	DFTO WSJ	DATE	03/03/04"	
	TOLERANCES EXCEPT AS NOTED	CHKD	DATE		
	MM	MFO	DATE		
	.0 ±	APPVL	DATE		
	.00 ±				
.000 ±					
ANGLES ± 1°	G.E :				
THIRD ANGLE PROJECTION	FINISH :				
	SCALE : 1;1	NAME DG65H-A-XXP-1Y-00A(H)			
		DRAWING NO. DG65H-E03			SIZE A3
		/PART NO.			REV T5
		DO NOT SCALE DRAWING			12/08/07
		SHEET 1			OF 1