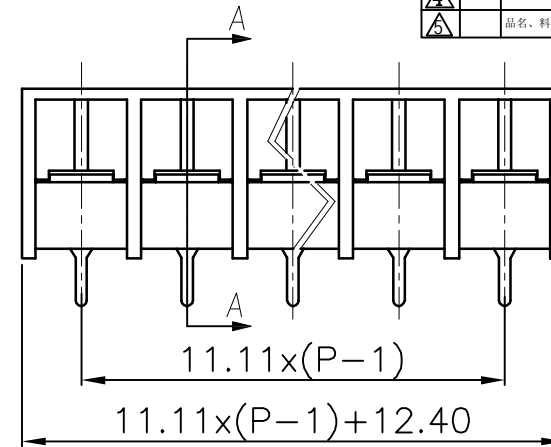
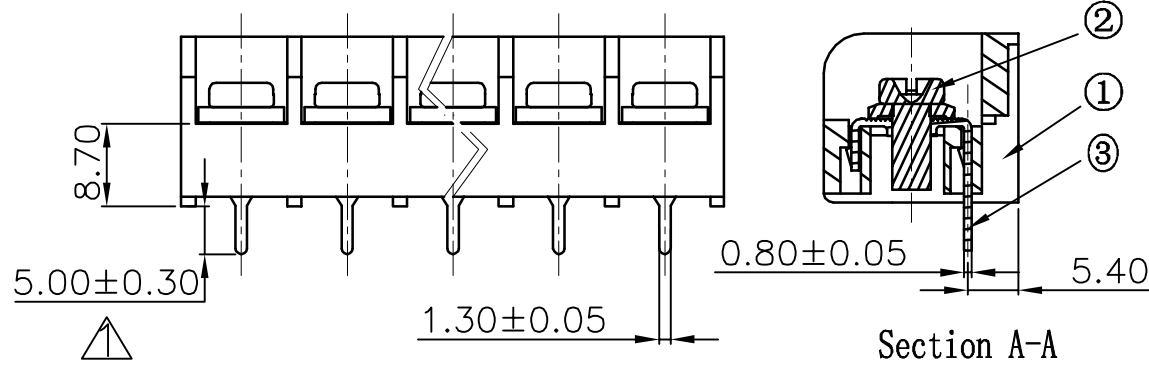
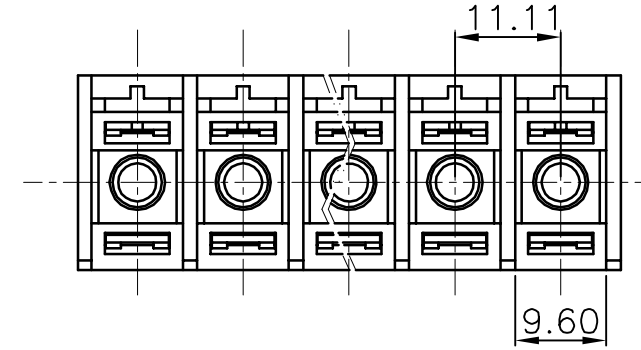
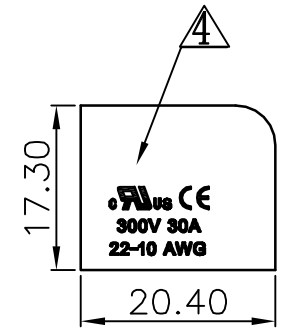


REVISION RECORD					
REV	ECO	DESCRIPTION	DRFT	DATE	
△		螺丝料号由S000000580变更到S000000580	DZJ	06/29/05	
△		插脚尺寸由 5.00 ± 0.10 变更到 5.00 ± 0.20	DZJ	06/29/05	
△		产品名称由DG66A变更为DG66S	CSX	02/17/06	
△		电流由10A更改为25A	CSX	03/27/06	
△		增加UL刻字	CSX	04/18/07	
△		品名、料号增加环保标识“(H)”	YeJ	12/08/07	



NOTES:

- Pitch: 11.1mm, Poles: 5-12P
- Rated current: 30A
- Rated voltage: 300V
- Operation temperatures: $-40^{\circ}\text{C} \sim +105^{\circ}\text{C}$
- Insulation Withstand Voltage: AC2000V/1min
- Insulation Resistance: $500\text{M}\Omega$ / DC500V
- Wire Range: 22~10AWG
- Max. Torque: 12.24kgf.cm
- Undimensioned Tolerances:



Pitch range in mm		Nominal dimension range in mm						
to	over	to	over	to	over	to	over	
6	10	10	24	30	60	100	150	∧
±0.10	±0.15	±0.25	±0.2	±0.3	±0.5	±0.7	±1.0	□

3	DG66S pin header	5014B00010 (H)	XX	Brass	SnCe
2	4*8 (9*9) big cover and bright screws	S000000580 (H)	XX	Steel	Ni plated
1	DG66S-B Housing	5014A0YXXA (H)	1	PA66	UL94V-0
ITEM	NAME OF PART	NO. OF PART	Q'TY	MATERIAL	NOTES
DETACHED LISTS	MM (INCH)	DFTO WSJ	DATE 03/19/04"		
	TOLERANCES EXCEPT AS NOTED	CHKD	DATE		
		MFO	DATE		
		APPVL	DATE		
		MATERIAL :			
	ANGLES ± 1°	G.E :			
	THIRD ANGLE PROJECTION	FINISH :			
		SCALE : 1:1		DO NOT SCALE DRAWING	
			SHEET 1		OF 1

宁波高正电子有限公司
 DEGSON ELECTRONICS CO., LTD
 NAME: △
 DG66S-B-XXP-1Y-00A(H)
 DRAWING NO. DG66S-E01 SIZE A3 REV T5
 /PART NO. 12/08/07
 SHEET 1 OF 1