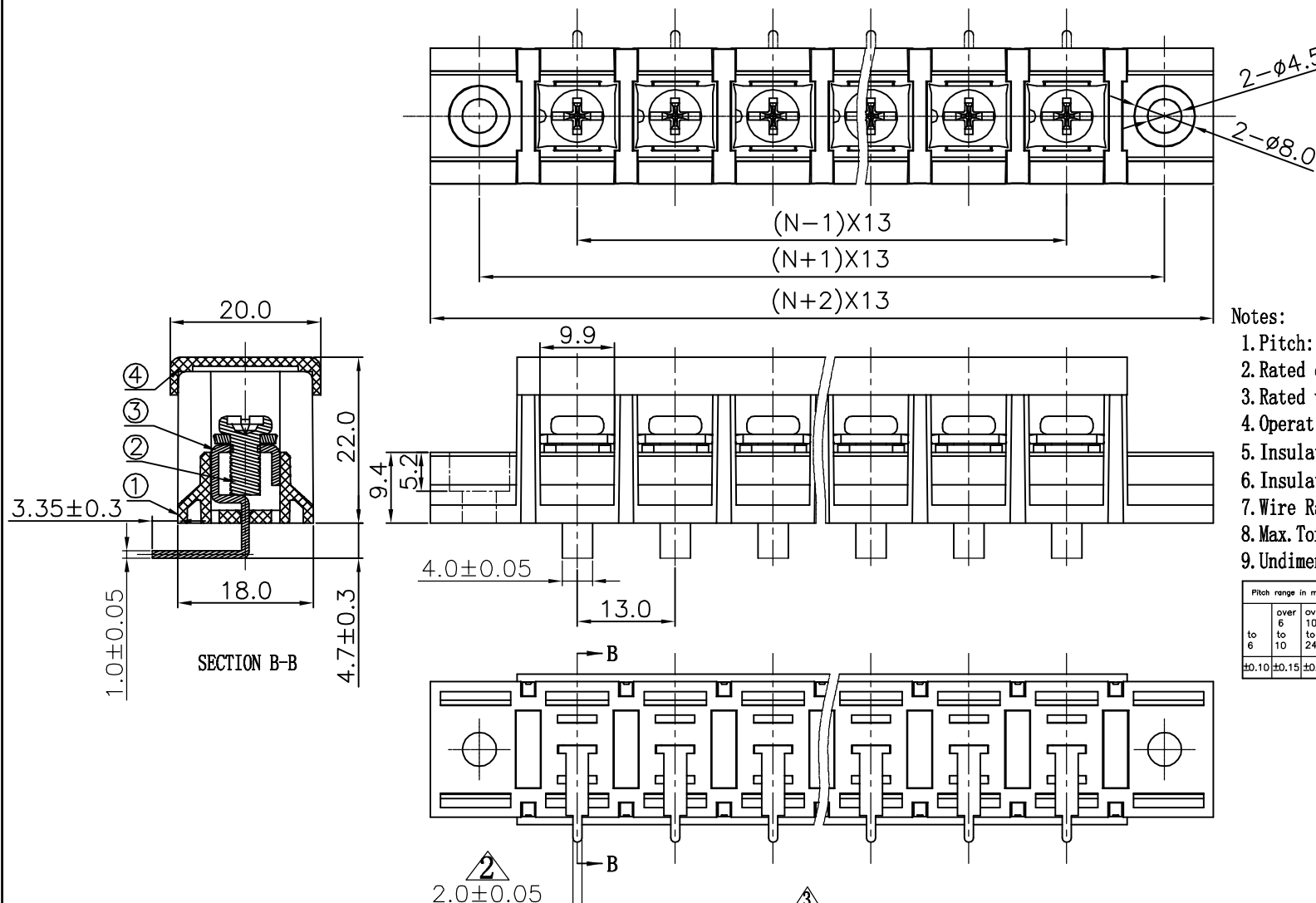


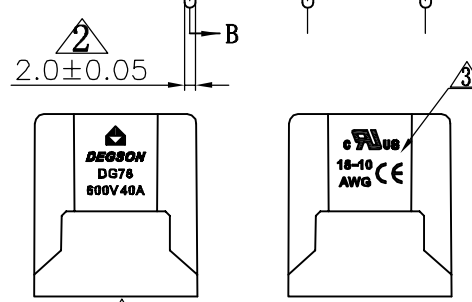
REVISION RECORD				
REV	ECO	DESCRIPTION	DRFT	DATE
△1		25%GF更改为23%GF	CSX	03/24/06
△2		脚宽由1.2变更为2.0	CSX	08/15/06
△3		增加UL刻字	CSX	04/17/06
△4		5034C07XXA改为5034C07XXA	WF	05/31/07
△5		品名、料号增加环保标识“印”	YeJ	12/08/07



Notes:

1. Pitch: 13mm, Poles: 2-18P
2. Rated current: 40A
3. Rated voltage: 600V
4. Operation temperatures: $-30^{\circ}\text{C} \sim +120^{\circ}\text{C}$
5. Insulation Withstand Voltage: AC2000V/1min
6. Insulation Resistance: $1000\text{M}\Omega / \text{DC}500\text{V}$
7. Wire Range: 18~10AWG
8. Max. Torque Value: 12.24kgf.cm
9. Undimensioned Tolerances:

Pitch range in mm		Nominal dimension range in mm				
to 6	over 6 to 10	over 10 to 24	to 30	over 30 to 60	over 60 to 100	over 100 to 150
± 0.10	± 0.15	± 0.25	± 0.2	± 0.3	± 0.5	± 0.7
						± 1.0 (pos/neg)



4	DG78-Cover	5034C07XXA (H)	1	PC	
3	DG78R Pin header	5009B00050 (H)	XX	Brass	SnCe plated
2	M4*8 (8*10) bright Screws	S000000510 (H)	XX	Steel	Ni plated

ITEM	NAME OF PART	NO. OF PART	Q'TY	MATERIAL	NOTES
1	DG78 Housing	5034MOYXXA (H)	1	PA66+23%GF	UL94V-0

MM (INCH)	DFTO Zhuwm	DATE 01/13/06"
TOLERANCES EXCEPT AS NOTED	CHKD	DATE
	MFO	DATE
	APPVL	DATE
MM		
.0 ±	±	
.00 ±	±	
.000 ±	±	
ANGLES ± 1°	G.E :	
FINISH :		
THIRD ANGLE PROJECTION	SCALE : 1:1	

NAME		DG78R-A-XXP-1Y-00A(H)	
DRAWING NO. DG78R-E01		SIZE	REV
/PART NO.		A3	T5
DO NOT SCALE DRAWING		SHEET 1	OF 1