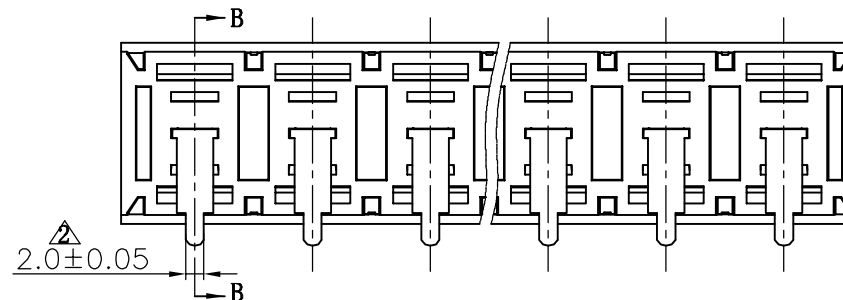
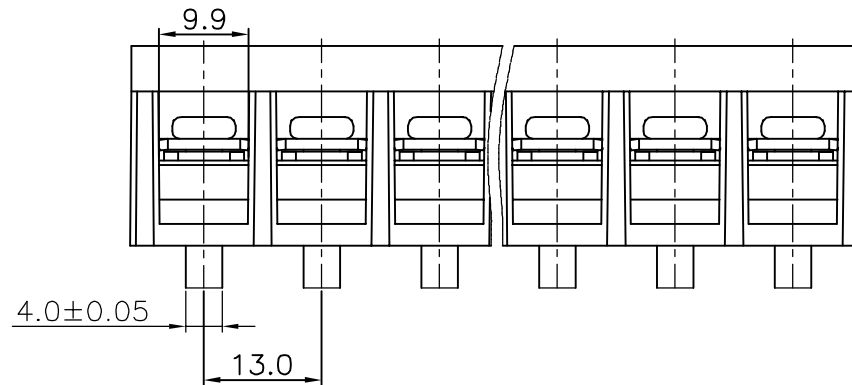
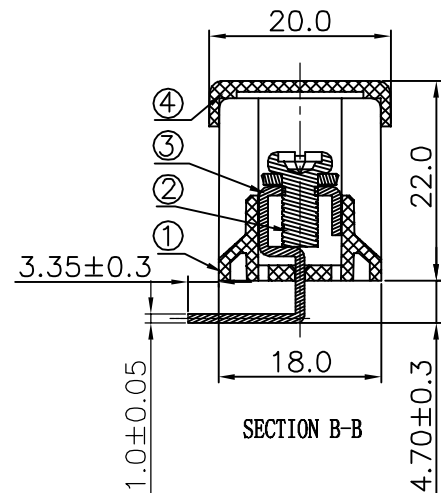
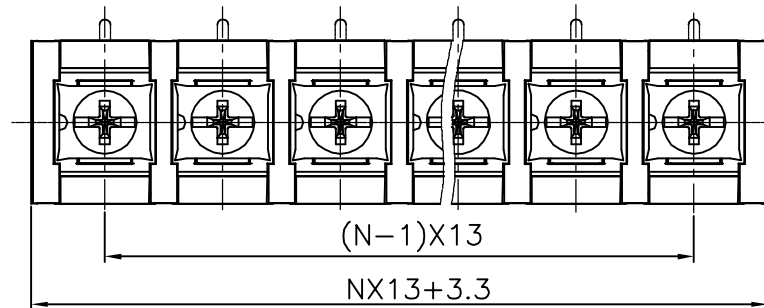


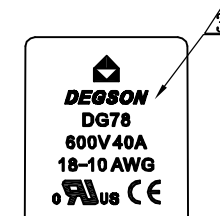
REVISION RECORD				
REV	ECO	DESCRIPTION	DRFT	DATE
△		25%GF更改为23%GF	CSX	03/24/06
△		脚宽由1.2变更为2.0	CSX	08/15/06
△		增加UL刻字	CSX	04/17/06
△		品名、料号增加环保标识“00”	YeJ	12/08/07



Notes:

- Pitch:13mm , Poles:2-20P
- Rated current:40A
- Rated voltage:600V
- Operation temperatures:-30° C~+120° C
- Insulation Withstand Voltage:AC2000V/1min
- Insulation Resistance:1000MΩ /DC500V
- Wire Range:18~10AWG
- Max. Torque Value:12.24kgf.cm
- Undimensioned Tolerances:

Pitch range in mm		Nominal dimension range in mm					
to	from	to	from	to	from	to	
6	10	30	60	100	150	∩	
6	10	30	60	100	150	∩	
±0.10	±0.15	±0.25	±0.2	±0.3	±0.5	±0.7	
						±1.0/0.05/0.1	



4	DG78-Cover	5034C07XXA (H)	1	PC	
3	DG78R Pin header	5009B00050 (H)	XX	Brass	SnCe plated
2	M4*8 (8*10) bright Screws	S000000510 (H)	XX	Steel	Ni plated

1	DG78 Housing	5034A0YXXA (H)	1	PA66+23%GF	UL94V-0	
ITEM	NAME OF PART	NO. OF PART	Q'TY	MATERIAL	NOTES	
DETACHED LISTS	MM (INCH)	DFTO Zhuwm	DATE 01/13/06"	宁波高正电子有限公司 DEGSON ELECTRONICS CO., LTD NAME: DG78R-B-XXP-1Y-00A(H) DRAWING NO. DG78R-E02 /PART NO. DO NOT SCALE DRAWING		
	TOLERANCES EXCEPT AS NOTED		CHKD			DATE
	MM	±	MFO			DATE
	.0 ±	±	APPVL			DATE
	.00 ±	±	MATERIAL :			
.000 ±	±	ANGLES ± 1°		G.E :		
THIRD ANGLE PROJECTION		FINISH :		SCALE : 1:1		
				SIZE A3	REV T4 12/08/07	
				SHEET 1	OF 1	