

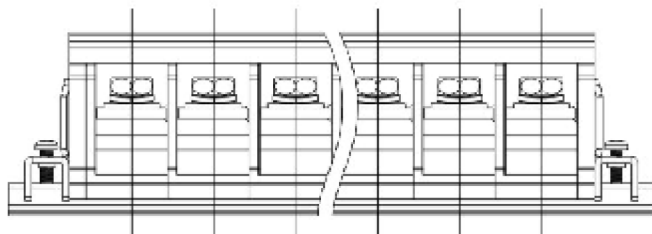
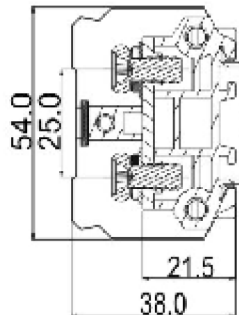
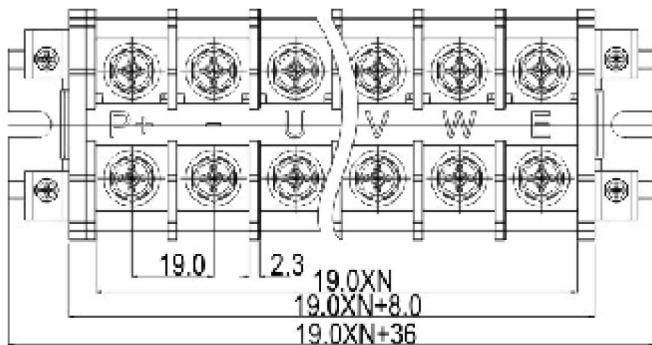


DEGSON ELECTRONICS CO., LTD.

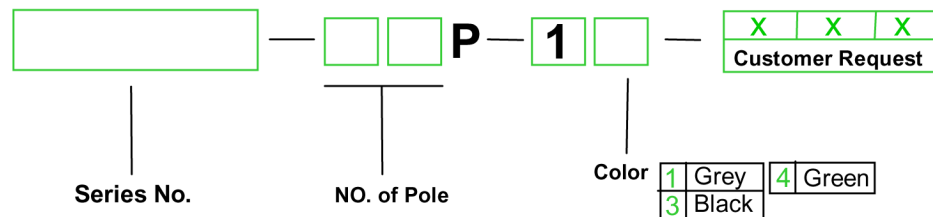
Product Specification



Approval	c	
Electrical	UL	IEC
Standard	600V	600V
Rated voltage	80A	65A
Rated current	20-6AWG	14mm ²
Wire range	AC3500V/1Min	
With standing voltage	5000M Ω /DC1000V	
Insulation Resistance		
Mechanical		
Max. Torque Value	4.5N.m 40Lb.in	
Ambient temperature	-40 $^{\circ}$ C~+120 $^{\circ}$ C	
Dimensions		
Pitch	19.0mm(.748")	
Poles	1P-XXP	
Material		
Housing	PC, UL94V-0	
Terminal	Brass,2.5t Ni plated	
Screws	Steel,M6 Cr ³ Zn Plated	



HOW TO ORDER :



	DEGSON ELECTRONICS CO., LTD.
	NAME DGR60