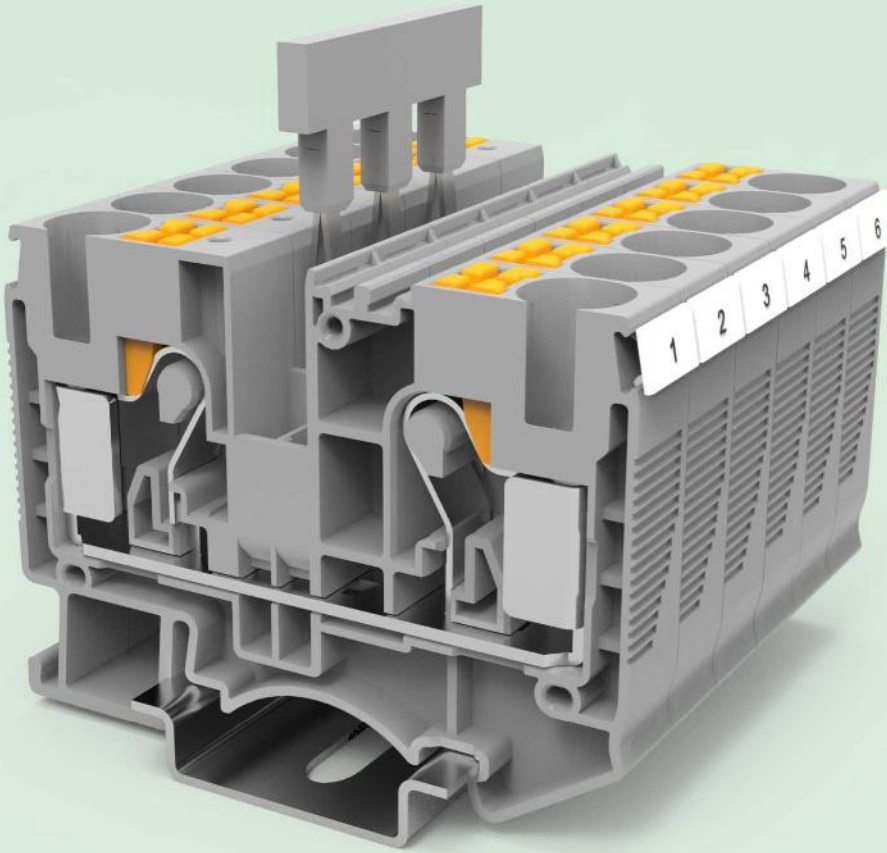
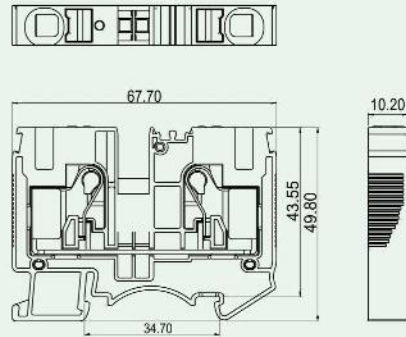


DS10



- Push-in 直插式连接技术, 操作更快捷;
- 蝶型弹簧结构, 抗振性能好;
- 插拔式桥接件方便、快捷、高效。
- 最大线径: 16mm²。
- Push-in connection technology, fast operation;
- Push-in spring structure, excellent vibration resistance;
- Bridge accessory available, convenient, fast and high efficiency.
- Max. wire gage: 16mm².



技术参数 Technical Data

APPROVAL: CE

型号 Model	线径 Wire range	线数 Poles	IEC60947技术参数(IEC60947datasheet)				UL1059技术参数(UL1059 datasheet)			
			电压(V)	Rated voltage	电流(A)	Rated current	电压(V)	Rated voltage	电流(A)	Rated current
DS10	0.5-10mm ² , 16mm ² (SOL)/20-6AWG	01P	1000		57		600		60	

应用行业 Application

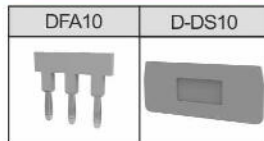
工业自动化、机械、电梯、电力电气、轨道交通等行业。
Industrial automation, machinery, elevator, electric power, Railway transportation etc.



产品包装方式 Packing

Product model	Pcs./Pkt.
DS10	25

附件 Accessory



型号对照 Cross Reference

DEGSON	同行1/ Competitor1	同行2/ Competitor2
DS10	PT10/S	2010-1201

产品订货 How to order

