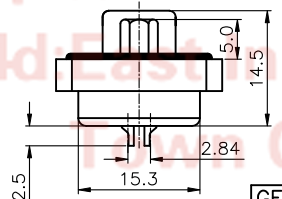
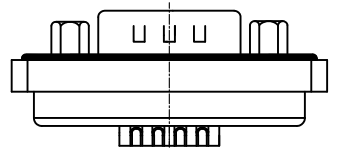
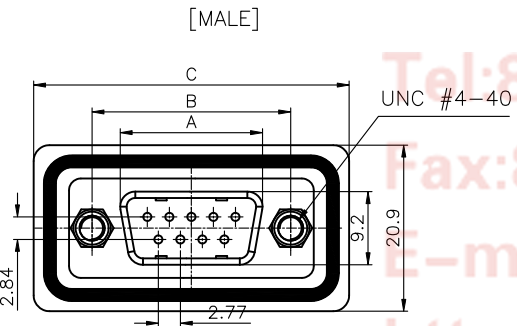
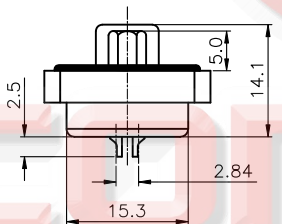
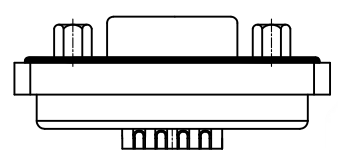
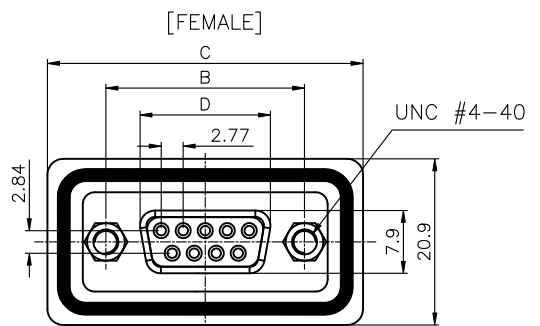


REV.	DESCRIPTION	DRAWN	CHECKED	APPROVED
A	NEW RELEASE	JLZ 05/16/17'	~	



NOTES:

- ELECTRICAL CHARACTERISTICS:
 - CONTACT RESISTANCE: 20mΩ Max. INITIAL.
 - DIELECTRIC WITHSTANDING VOLTAGE: 500V AC(rms) FOR 1 MINUTE.
 - INSULATION RESISTANCE: 1000MΩ Min.
- ENVIRONMENT CHARACTERISTICS:
 - TEMPERATURE RANGE: -40°C~+105°C.
- MATERIALS:
 - INSULATOR: PBT+GLASS FIBER
 - SHELL: STEEL
 - CONTACT: COPPER ALLOY
- PRODUCT NUMBER CODE:
DS1034-27- X X X X X X

- Screw material
- C: Copper Alloy
- F: Steel
- Contact plating
- 8: Full gold flash
- Shell plating
- N: Nickel
- Housing color
- B: Black
- W: White
- Connector type
- M: Male
- F: Female
- No. of contacts
- 09, 15, 25, 37

Tel: 86-574-63508787
 Fax: 86-574-63510817
 E-mail: sale@connfly.com
 http://www.connfly.com
 Add: East Industry Zone KuangYan
 Cixi Ningbo China
 P.C: 315333

Dimension	Position	A±0.2	B±0.2	C±0.3	D
	9	17.90	24.99	39.60	16.33
	15	26.50	33.32	48.00	24.66
	25	40.00	47.04	61.80	38.38
	37	56.50	63.50	78.30	54.84

GENERAL TOLERANCE	ANGLE TOLERANCE
X. ±0.60	X. ±5°
.X ±0.38	.X ±3°
.XX ±0.25	.XX ±2°

PROJECTION	TITLE
UNITS	Water Proof D-SUB Machine Pin Solder Type
SHEET SIZE	SERIES DS1034-27 SERIES

DRAWING TYPE	CUSTOMER
SCALE	1:1 SHEET 1 OF 1
DRAWING NO.	C-DS1034-27-XXXXXX-A

晨翔电子有限公司
CONNFLY® CONNFLY ELECTRONIC CO., LTD