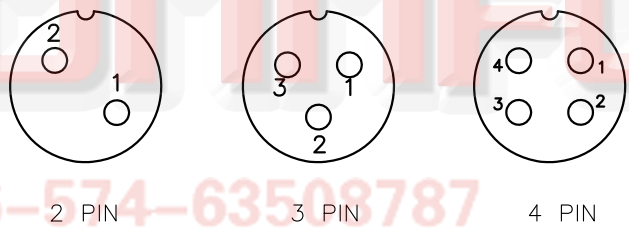
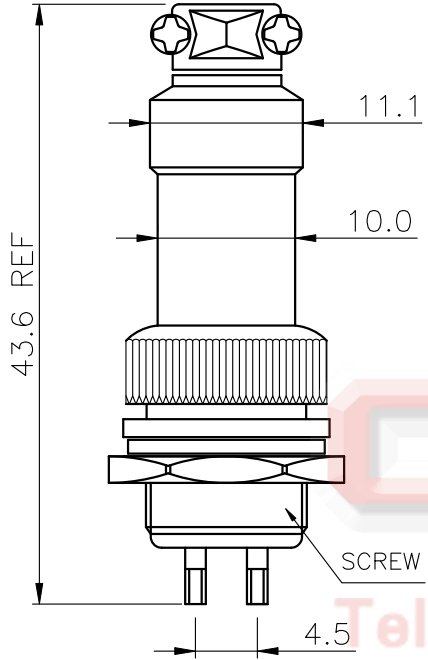


REV.	DESCRIPTION	DRAWN	CHECKED	APPROVED
A	NEW RELEASE	LL 07/18/06'		LJC 07/18/06'
B	DRAWING UPDATE	JLZ 06/13/16'		

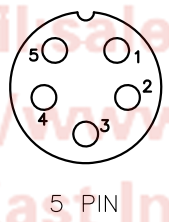
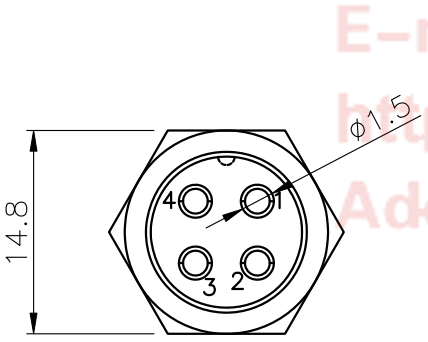


NOTES:

- SPECIFICATION
  - CURRENT RATING: 5A Max.
  - DIELECTRIC WITH STANDING VOLTAGE: 500V(AC)
  - CONTACT RESISTANCE: 100mΩ Max.
  - INSULATION RESISTANCE: 1000MΩ(DC)Min
- PRODUCT NUMBER CODE:

DS1110-01 - X X X

- CONTACT PLATING  
6: TIN
- COLOR OF HOUSING:  
W: WHITE  
B: BLACK
- No. OF CONTACTS  
2: 2pin 3: 3pin  
4: 4pin 5: 5pin



Tel:86-574-63508787  
 Fax:86-574-63510817  
 E-mail:sales@connfly.com  
 http://www.connfly.com  
 Add:East Industry Zone KuangYan  
 Town Cixi Ningbo China  
 P.C:315333

GENERAL TOLERANCE		ANGLE TOLERANCE		PROJECTION		TITLE	MICRO JACK CONNECTOR	
X.	±0.60	X.	±5°	UNITS	mm	SHEET	DS1110-01 SERIES	
.X	±0.38	.X	±3°	SHEET SIZE	A4			
.XX	±0.25	.XX	±2°					
DRAWING TYPE		CUSTOMER			晨翔电子有限公司 <b>CONNFLY CONNFLY ELECTRONIC CO. LTD</b>			
SCALE		1:1	SHEET 1 OF 1					
DRAWING NO.		C-DS1110-01-XXX-B						