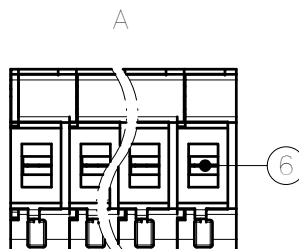
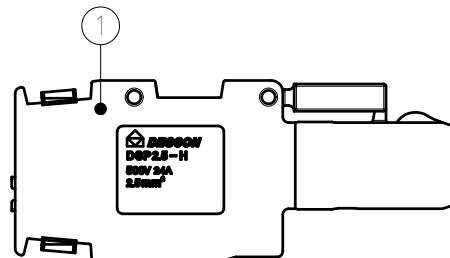
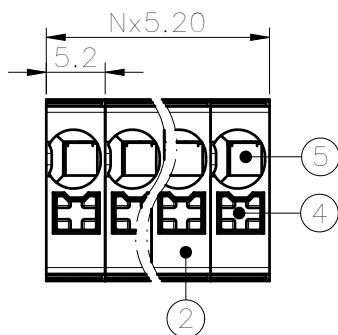
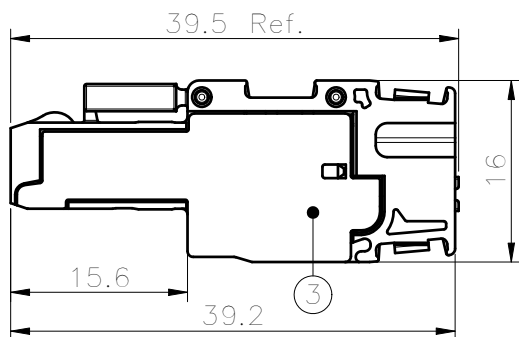
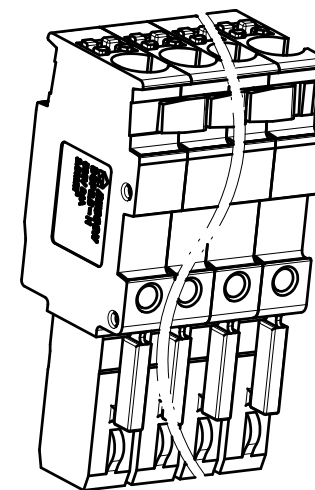


Transfer or duplication of this document as well as the utilization or communication of its contents are prohibited unless written authorization is granted. Degson will be liable for compensation. All rights reserved for patent, utility model or design registrations. 非经书面明确授权, 否则禁止转让、复制、利用、交加本文件内容, 一经发现将依法追究, 本公司保留对侵权行为的追责权利。

未注公差/General tolerances(mm)														
0	>3	>6	>10	>18	>30	>50	>80	>120	>180	>250	>315	>400	0.1/10	
~3	~6	~10	~18	~30	~50	~80	~120	~180	~250	~315	~400	~500		
±0.12	±0.18	±0.22	±0.26	±0.31	±0.37	±0.57	±0.80	±0.93	±1.05	±1.15	±1.60	±2.20	±2.50	±2'

UL 标准/UL Standard:	B	C	D
额定电压/电流/Rated Voltage(V)/Current(A)	300/20	300/20	600/5
IEC 标准/IEC Standard:			
过压类别/Overvoltage Category/污染等级/Pollution Degree	III/3	III/2	II/2
额定电压/电流/Rated Voltage(V)/Current(A)	500/24	/	/
额定脉冲电压(KV)/Rate Impulse Voltage(KV)	6	/	/
线径范围(硬线和软线)/Wire Range(rigid and flexible)(AWG/mm ²)	26~12 / 0.2~2.5&4(SOL)		
间距/Pitch(mm)/线数范围/Poles	5.20/N=01~15P		
剥线长度/Stripping length(mm)	10~12		
使用温度范围/Operating temperature(°C)	-40~+105		
符合 RoHS 环保要求/Conform to RoHS	Yes		
标准颜色编号/Standard color number: PANTONE / RAL	/		

Please refer to the 3D model, for those unmarked dimensions



ITEM	NAME OF PART	MATERIAL	NOTES
6	Clamp	Copper	Sn plated
5	Spring	Stainless steel	/
4	Button	PA66+GF%	UL94V-0
3	Cover	PA66	UL94V-0
2	Housing 2	PA66	UL94V-0
1	Housing 1	PA66	UL94V-0

		MATERIAL:	SURFACE:	
		MAT NO./REV: 1104000244-1 / 00		MAT STATUS: 样品
APPD: 李根芳	2021.11.05	NAME		
CHKD: 马恩开	2021.11.05	DSP2.5-H-15P-11-00A(H)		
DRFT: 米帅	2021.11.05	DRAWING NO.	TYPE	DRAWING STATUS
		200024985	CUSTOMER DRAWING	SCALE
				1.5:1
				SHEET
				1/1

REV	ECN	DESCRIPTION	DRFT	DATE
00	ECN		米帅	2021.11.05