

PRODUCT SPECIFICATION

Model No.: FYL-25A9SGW1B-CA

Descriptions:
■Dice material: AlGaAs/GaP
■Emitting Color: Red/Yellow green
■Device Outline: 2*5mm square type.
■Lens Type: White Diffused.



CUSTOMER APPROVED SIGNATURES	APPROVED BY	CHECKED BY	PREPARED BY

NINGBO FORYARD OPTOELECTRONICS CO.,LTD.

Add:NO.115 Qixin Road Ningbo Zhejiang China

Zip:315051

Tel: 0086-574-87933652 87927870 87922206

Fax: 0086-574-87927917

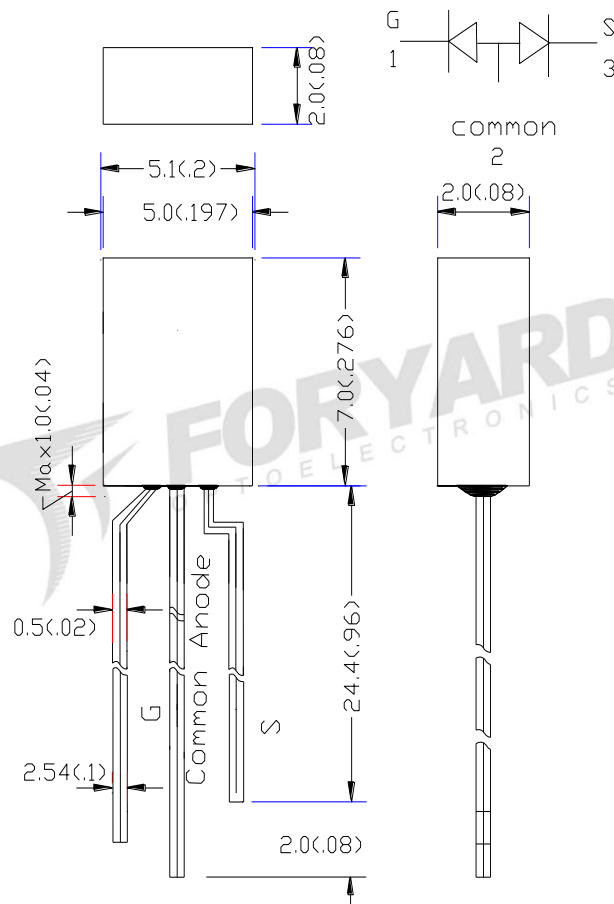
E-mail: Sales@foryard.com (General)

[Http://www.foryard.com](http://www.foryard.com)

■ Features

1. Low power consumption.
2. High efficiency.
3. General purpose leads.
4. RoHs compliant.

■ Package configuration



Notes:

1. All dimensions are millimeters (inches)
2. Tolerance is $\pm 0.25\text{mm}$ (.010") unless otherwise noted.
3. The specifications, characteristics and technical data described in the datasheet are subject to change without prior notice.

■ Absolute maximum ratings(Ta=25 ° c)

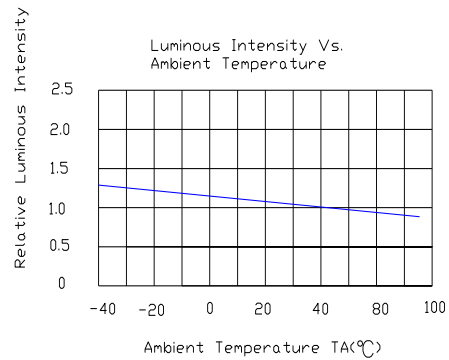
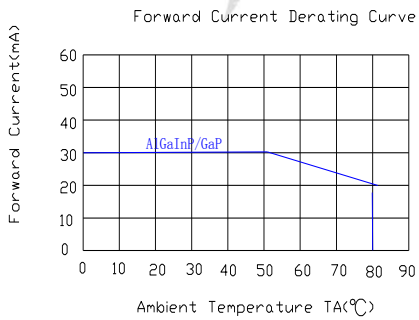
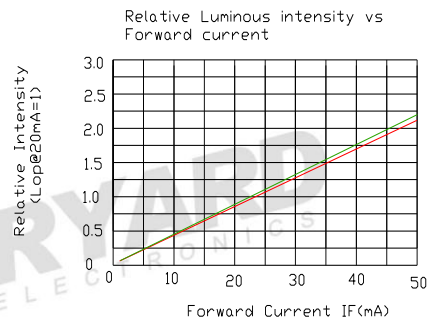
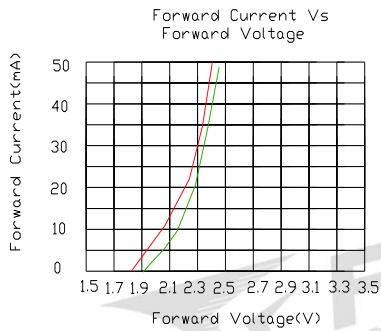
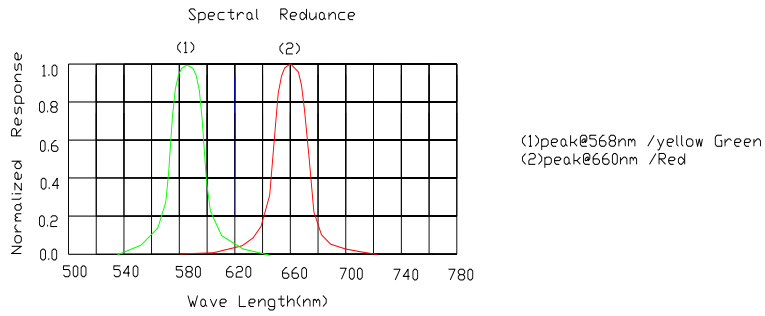
Parameter	MAX.	Unit
Power Dissipation	S 75	mW
	G 75	
Peak Forward Current (1/10 Duty Cycle, 0.1ms Pulse Width)	100	mA
Continuous Forward Current	30	mA
Derating Linear From 50 °C	0.4	mA/°C
Reverse Voltage	5	V
Operating Temperature Range	-20 °C to +80 °C	
Storage Temperature Range	-30 °C to +100 °C	
Lead Soldering Temperature[4mm(.157") From Body]	260 °C for 5 Seconds	

■ Electrical and optical characteristics(Ta=25 ° c)

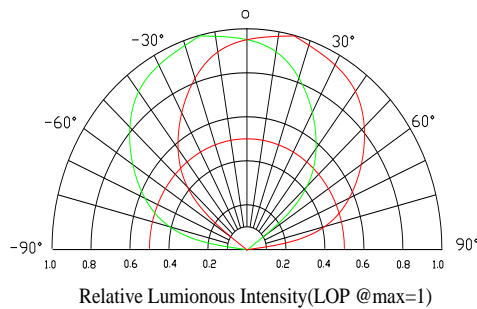
Parameter	Symbol	Min.	Typ.	Max.	Unit	Test Condition
Luminous Intensity	I _v	S -	30	-	mcd	I _F =20mA
		G	20			
Viewing Angle	2θ _{1/2}	S -	100	-	Deg	
		G	100			
Peak Emission Wavelength	λ _p	S	660		nm	
		G	568			
Dominant Wavelength	λ _d	S 640	645	650	nm	
		G 567	572	577		
Spectral Line Half-Width	Δλ	S 25	30	35	nm	
		G 15	20	25		
Forward Voltage	V _F	S 1.7	2.0	2.4	V	
		G 1.8	2.3	2.5		
Reverse Current	I _R			10	μA	V _R =5V

■ Typical Electrical Characteristics Curves

(25 ° c Ambient Temperature Unless Otherwise Noted)

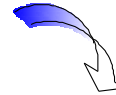
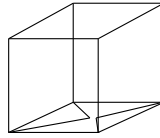
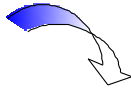
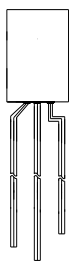


Radiation pattern.

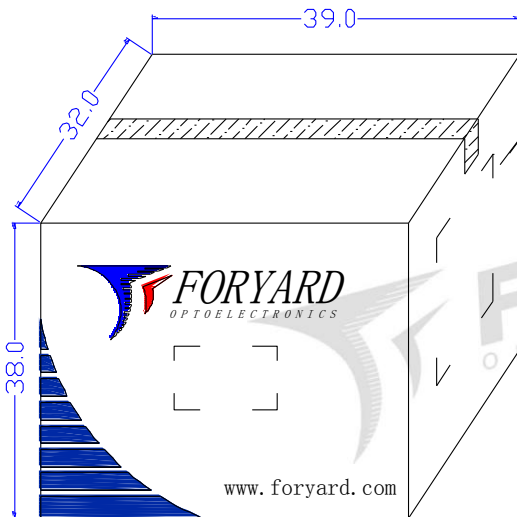
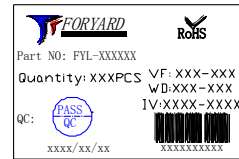


Model. No.	FYL-25A9SGW1B-CA
Rev.	A

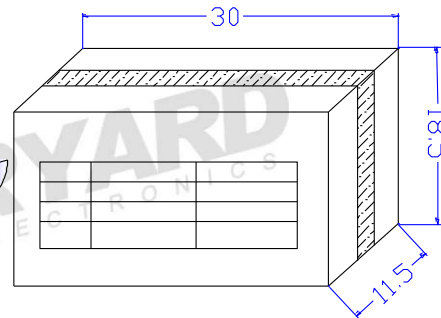
■ LAMP PACKING.



2*5mm 1000PCS/Polybag

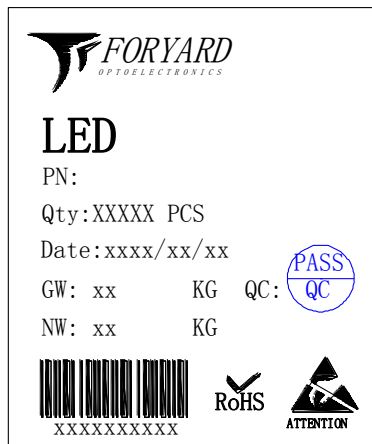


OUTSIDE LABEL



10000PCS/ Box

60000PCS/ Carton



OUTSIDE LABEL