

## FYL-3014IRCT1A

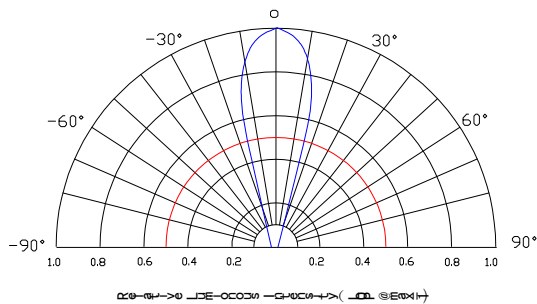
### Features:

- Single color
- High Power output
- Low power consumption
- High reliability and long life.
- General purpose leads
- RoHs compliant.

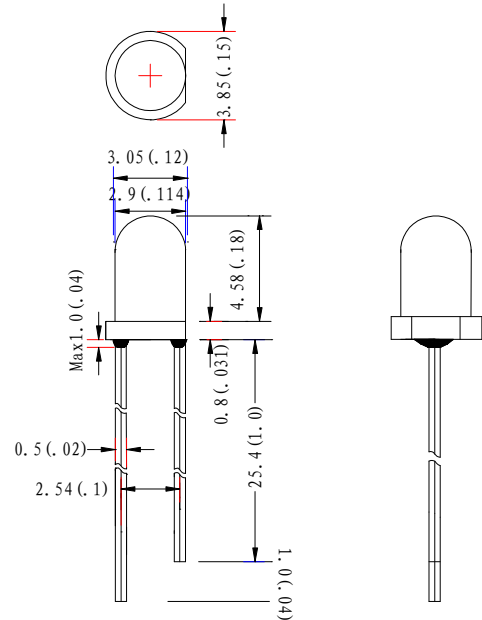
### Descriptions:

- Dice material: AlGaAs.
- Emitting Color: Infrared.
- Device Outline:  $\Phi 3\text{mm}$  Round Type.
- Lens Type: Blue Transparent.

### Radiation pattern.



### Package configuration



- ◆ All dimensions are millimeters (inches)
- ◆ Tolerance is  $\pm 0.25\text{mm}$  ( $0.010''$ ) unless otherwise noted.

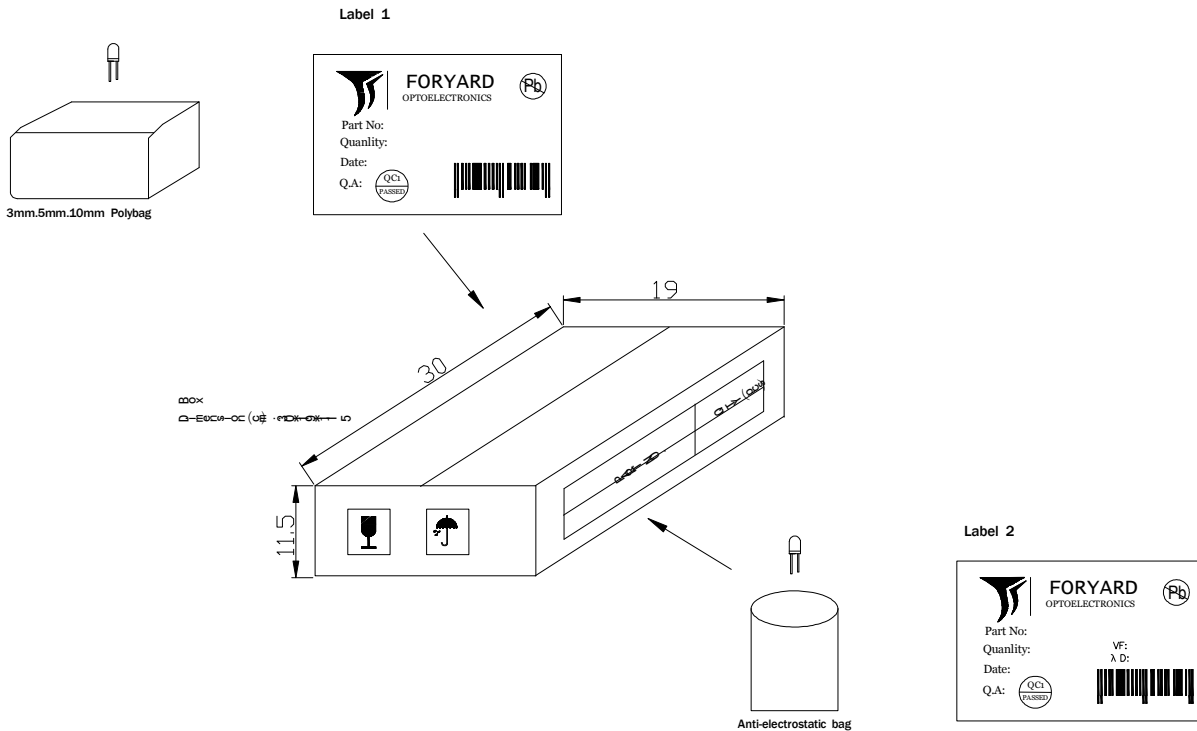
### Absolute maximum ratings ( $T_a = 25^\circ\text{C}$ )

Parameter	Symb	Test Condition	MAX.	Unit
Power Dissipation	pd	-	100	mW
Forward Current	IFM	Duty=0.01ms 1khz	1000	mA
Reverse Voltage	VR	IR=10UA	9	V
Operating Temperature Range			<b><math>-30^\circ\text{C}</math> to <math>+80^\circ\text{C}</math></b>	
Storage Temperature Range			<b><math>-40^\circ\text{C}</math> to <math>+100^\circ\text{C}</math></b>	
Lead Soldering Temperature [4mm (.157") From Body]			<b><math>260^\circ\text{C}</math> for 5 Seconds</b>	

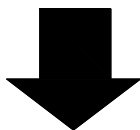
### Electrical and optical characteristics ( $T_a = 25^\circ\text{C}$ )

Parameter	Symbol	Min.	Typ.	Max.	Unit	Test Condition
Radiant Intensity	Ee	50	70	-	Mw/sr	IF=50mA
Viewing Angle	2 $\theta$ 1/2	25	30	35	Deg	
Peak Emission Wavelength	$\lambda_p$	-	850	-	nm	
Spectral Line Width	$\Delta\lambda$	25	30	35	nm	
Forward Voltage	VF	-	1.5	1.8	V	5 V
Reverse Current				10	$\mu\text{A}$	

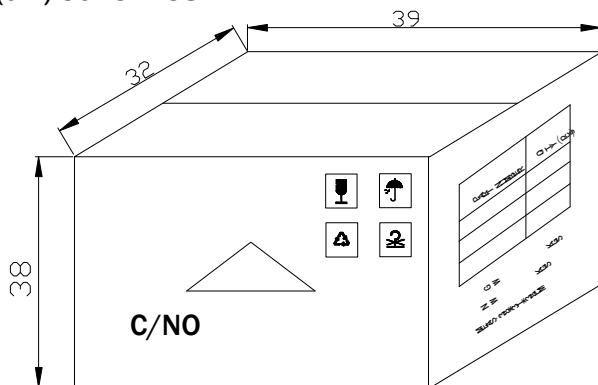




DEVICE	QTY/polybag(pcs)	Polybag/box A	Fig
5mm(T-1 3/4)	1000	8 bags	Label 1
3mm(T-1)	1000	10 bags	Label 1
10mm(T-1)	250	8 bags	Label 1
Blue/Green/White	500pcs	8 bags	Label 2



**CARTON**  
Dimension(cm):39\*32\*38



6 Boxes/Carton  
5mm:48,000pcs  
3mm:60,000pcs  
10mm:12,000pcs  
Blue/Pure Green/bluish Green  
/White:24,000pcs