

## FYL-3017UEUGW1A

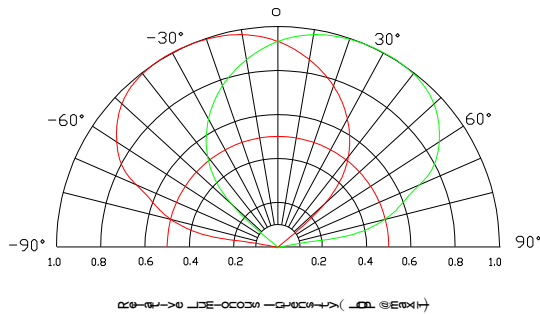
### Features:

- High intensity
- General purpose leads
- RoHs compliant.

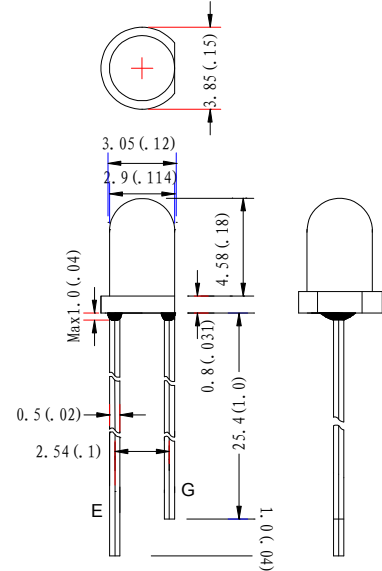
### Descriptions:

- Dice material E: GaAsP  
G: GaAsP
- Emitting Color E: Orange.  
G: Yellow Green
- Device Outline:  $\Phi$ 3mm Round Type.
- Lens Type: White diffused.

### Radiation pattern.



### Package configuration



- ◆ All dimensions are millimeters (inches)
- ◆ Tolerance is  $\pm 0.25\text{mm}$  (.010") unless otherwise noted.

### Absolute maximum ratings( $T_a=25^\circ\text{C}$ )

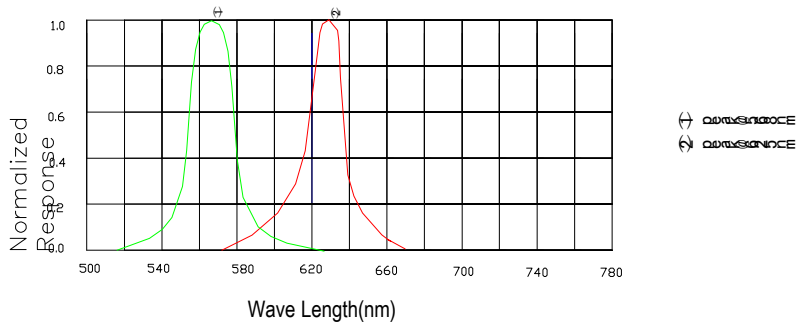
Parameter	MAX.		Unit
Power Dissipation	E	80	mW
	G	80	
Peak Forward Current (1/10 Duty Cycle, 0.1ms Pulse Width)	100		mA
Continuous Forward Current	30		mA
Derating Linear From 50°C	0.4		mA/°C
Reverse Voltage	5		V
Operating Temperature Range	-30°C to +80°C		
Storage Temperature Range	-40°C to +100°C		
Lead Soldering Temperature [4mm (.157") From Body]	260°C for 5 Seconds		

**Electrical and optical characteristics(Ta=25 °c)**

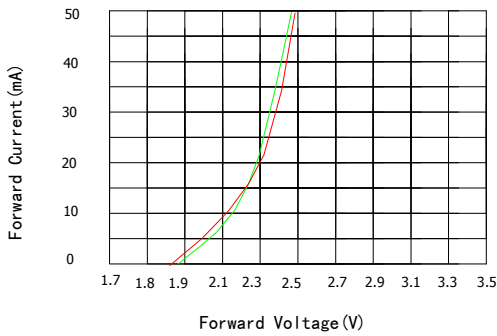
Parameter	Symbol	Min.	Typ.	Max.	Unit	Test Condition
Luminous Intensity	I <sub>v</sub>	E	–	30	–	I <sub>F</sub> =20mA
		G	–	25	–	
Viewing Angle	2θ <sub>1/2</sub>	E	150	160	170	
		G	150	160	170	
Peak Emission Wavelength	λ <sub>p</sub>	E	620	625	630	
		G	563	568	573	
Dominant Wavelength	λ <sub>d</sub>	E	–	620	–	
		G	–	572	–	
Spectral Line Half-Width	Δλ	E	10	15	20	
		G	15	20	25	
Forward Voltage	V <sub>F</sub>	E	1.6	1.9	2.3	
		G	1.8	2.3	2.5	

## Typical Electrical Characteristics Curves (25 °c Ambient Temperature Unless Otherwise Noted)

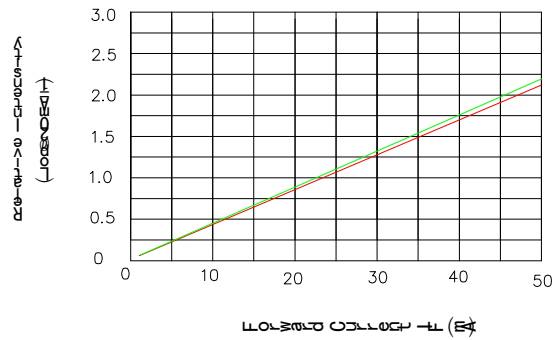
Spectral Reduance



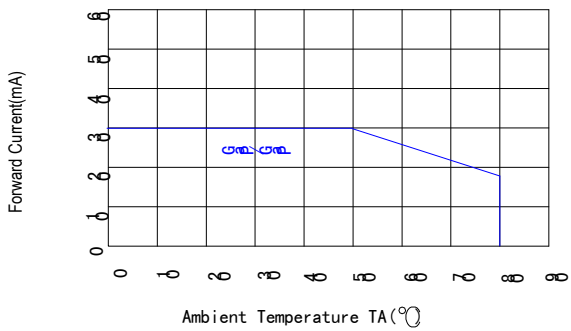
Forward Current Vs Forward Voltage



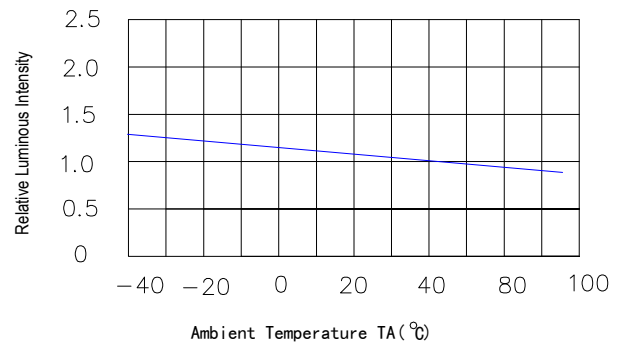
Relative Luminous intensity vs Forward current



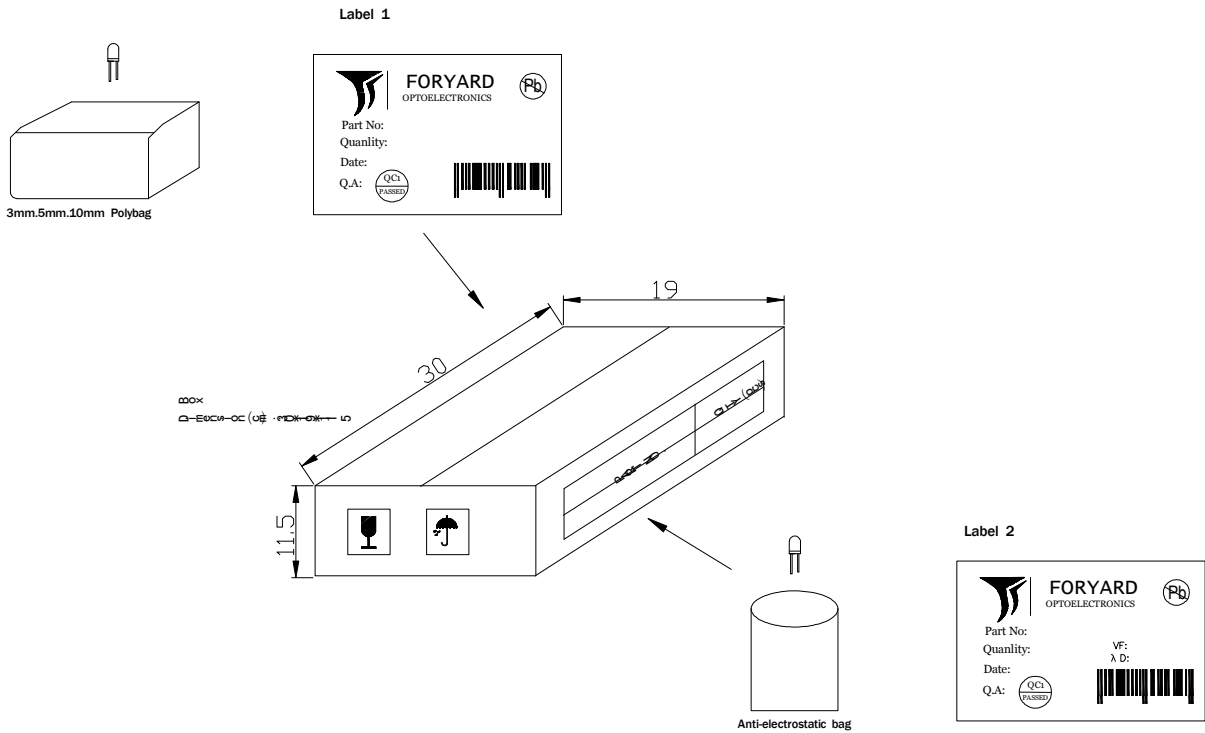
Forward Current Derating Curve



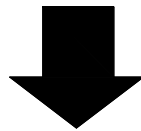
Luminous Intensity Vs Ambient Temperature



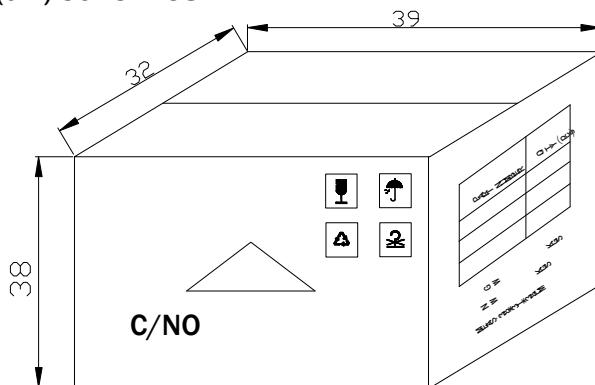
## LAMP PACKING.



DEVICE	QTY/polybag(pcs)	Polybag/box A	Fig
5mm(T-1 3/4)	1000	8 bags	Label 1
3mm(T-1 )	1000	10 bags	Label 1
10mm(T-1)	250	8 bags	Label 1
Blue/Green/White	500	8 bags	Label 2



**CARTON**  
Dimension(cm):39\*32\*38



6 Boxes/Carton  
 5mm:48,000pcs  
 3mm:60,000pcs  
 10mm:12,000pcs  
 Blue/Pure Green/bluish Green  
 /White:24,000pcs