

|            |                |
|------------|----------------|
| Model. No. | FYL-5463NUYD1D |
| Rev.       | A              |

## PRODUCT SPECIFICATION

**Model No.: FYL-5463NUYD1D**

| Descriptions:                                       |
|---|
| ■Dice material: AlGaInP.                            |
| ■Emitting Color: Super bright Yellow.               |
| ■Device Outline: $\Phi 5 \times 4$ mm ellipse type. |
| ■Lens Type: Yellow diffused.                        |



| CUSTOMER APPROVED SIGNATURES | APPROVED BY | CHECKED BY | PREPARED BY |
|------------------------------|-------------|------------|-------------|
|                              |             |            |             |

**NINGBO FORYARD OPTOELECTRONICS CO.,LTD.**

**Add:** NO.115 Qixin Road Ningbo Zhejiang China

**Zip:** 315051

**Tel:** 0086-574-87933652 87927870 87922206

**Fax:** 0086-574-87927917

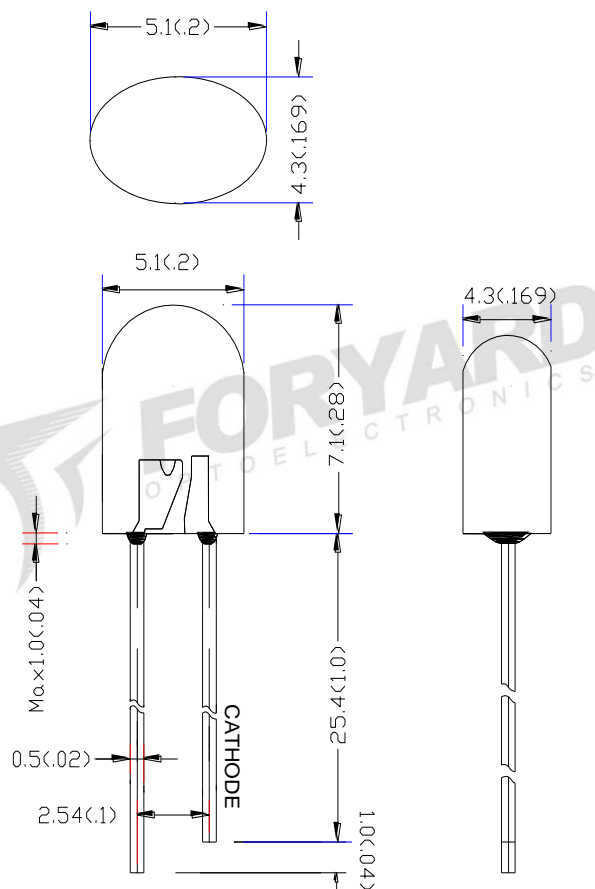
**E-mail:** Sales@foryard.com (General)

[Http://www.foryard.com](http://www.foryard.com)

■ **Features**

1. Low power consumption.
2. High efficiency.
3. General purpose leads.
4. High intensity.
5. RoHs compliant.

■ **Package configuration**



**Notes:**

1. All dimensions are millimeters (inches)
2. Tolerance is  $\pm 0.25\text{mm}(.010\text{'})$  unless otherwise noted.
3. The specifications, characteristics and technical data described in the datasheet are subject to change without prior notice.

■ Absolute maximum ratings( $T_a=25\text{ }^\circ\text{C}$ )

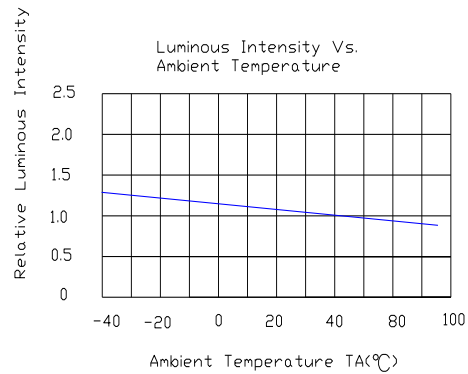
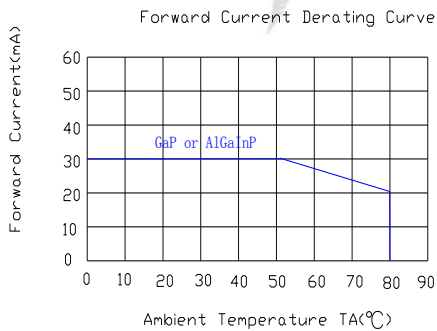
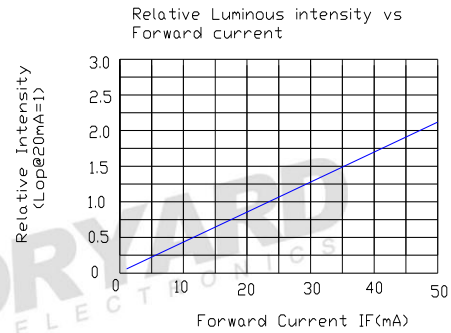
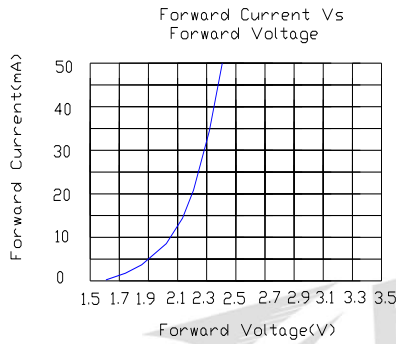
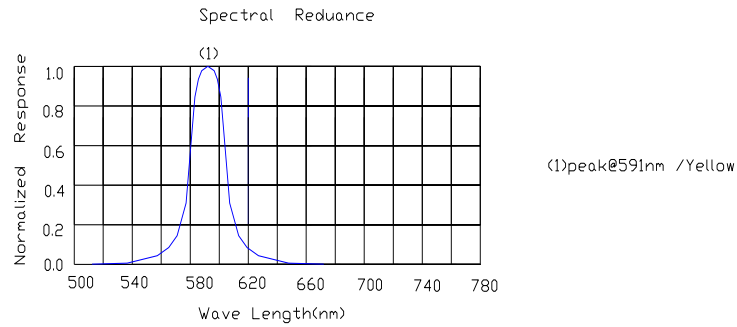
| Parameter   | MAX.  | Unit                 |
|---|---|----------------------|
| Power Dissipation   | 75  | mW                   |
| Peak Forward Current (1/10 Duty Cycle, 0.1ms Pulse Width) | 100   | mA                   |
| Continuous Forward Current                                | 30  | mA                   |
| Derating Linear From 50 $^\circ\text{C}$                  | 0.4   | mA/ $^\circ\text{C}$ |
| Reverse Voltage   | 5   | V                    |
| Operating Temperature Range                               | -40 $^\circ\text{C}$ to +85 $^\circ\text{C}$  |                      |
| Storage Temperature Range                                 | -40 $^\circ\text{C}$ to +100 $^\circ\text{C}$ |                      |
| Lead Soldering Temperature[4mm(.157") From Body]          | 260 $^\circ\text{C}$ for 5 Seconds            |                      |

■ Electrical and optical characteristics( $T_a=25\text{ }^\circ\text{C}$ )

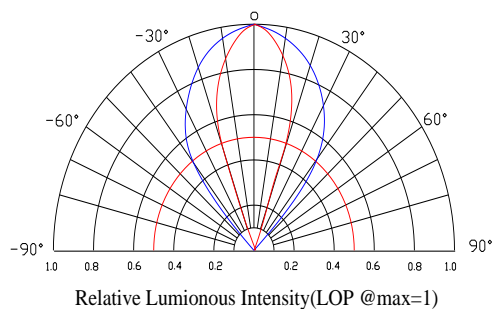
| Parameter                | Symbol          | Min. | Typ. | Max. | Unit          | Test Condition    |
|--------------------------|-----------------|------|------|------|---------------|-------------------|
| Luminous Intensity       | $I_v$           | -    | 3000 | -    | mcd           | $I_f=20\text{mA}$ |
| Viewing Angle            | $2\theta_{1/2}$ | X    | 70   | -    | Deg           |                   |
|                          |                 | Y    | 35   |      |               |                   |
| Peak Emission Wavelength | $\lambda_p$     | -    | 591  | -    | nm            |                   |
| Dominant Wavelength      | $\lambda_d$     | 586  | 590  | 594  | nm            |                   |
| Spectral Line Half-Width | $\Delta\lambda$ | -    | 20   | -    | nm            |                   |
| Forward Voltage          | $V_F$           | 1.9  | 2.0  | 2.4  | V             |                   |
| Reverse Current          | $I_R$           |      |      | 10   | $\mu\text{A}$ | $V_R=5\text{V}$   |

## ■ Typical Electrical Characteristics Curves

(25 ° c Ambient Temperature Unless Otherwise Noted)

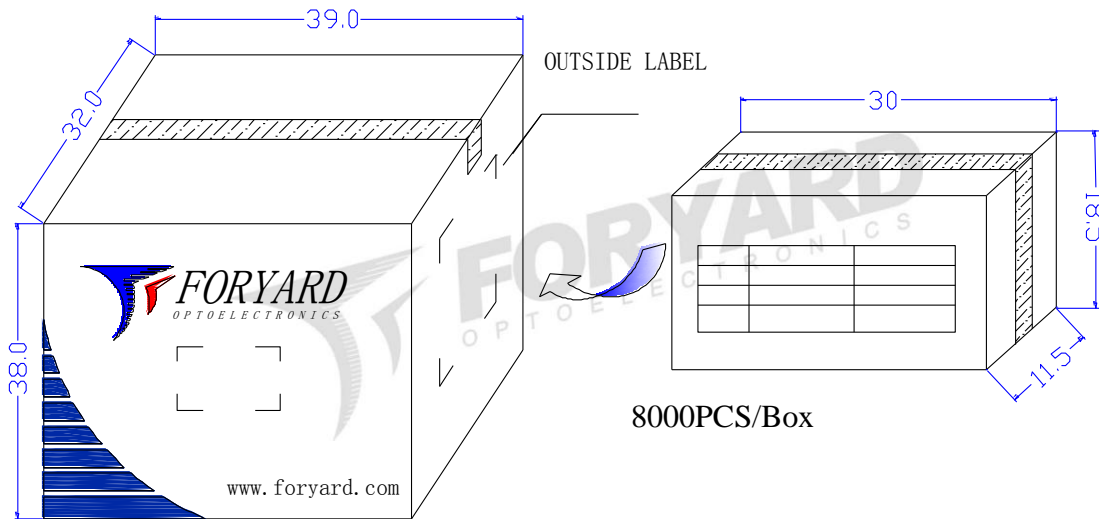
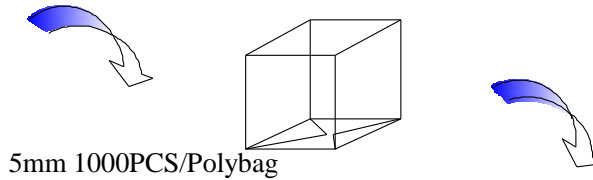
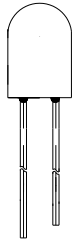


## Radiation pattern.



|            |                |
|------------|----------------|
| Model. No. | FYL-5463NUYD1D |
| Rev.       | A              |

■ LAMP PACKING.



48000PCS/Carton



OUTSIDE LABEL