

PRODUCT SPECIFICATION

Model No.: FYLS-3528XXXC

Features:
<ul style="list-style-type: none"> ■ SMD Type ■ Size (mm):3.50*2.80*1.90 ■ Lens Color: Water clear. ■ Viewing Angle(2θ^{1/2}):120° ■ SMT package ■ Suitable for all SMT assembly and soldering method ■ Pb-free Reflow soldering application ■ RoHS Compliant ■ MSL:6

Applications:
<ul style="list-style-type: none"> ■ Light Strips ■ LCD Backlight ■ Decorative lighting ■ Indicators ■ Interior automotive ■ Illuminations ■ Mobile Phones



CUSTOMER APPROVED SIGNATURES	APPROVED BY	CHECKED BY	PREPARED BY

NINGBO FORYARD OPTOELECTRONICS CO.,LTD.

Add:No. 666 Jinghua Road, Hi-tech Park, Ningbo, Zhejiang, China

Zip:315103

Tel: 0086-574-87933652 87927870 87922206

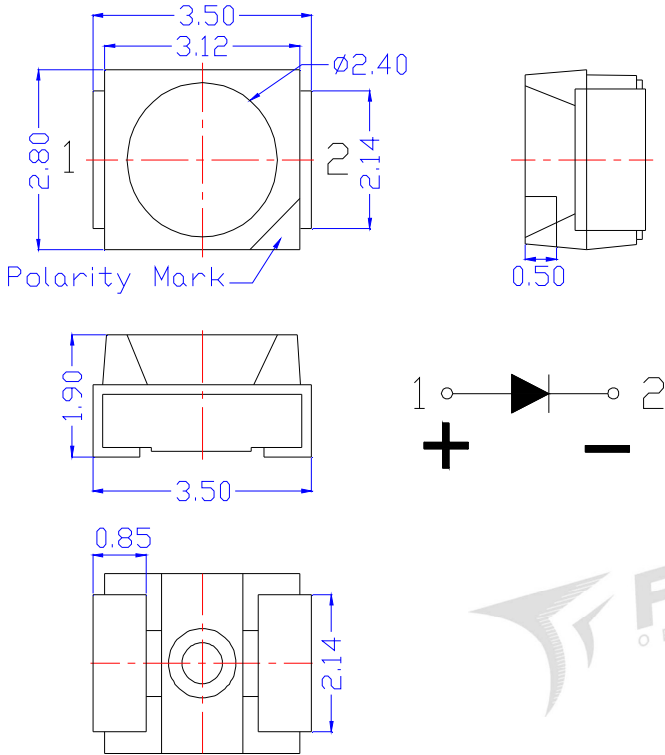
Fax: 0086-574-87927917

E-mail:Sales@foryard.com (General)

Model No.: FYLS-3528XXXC

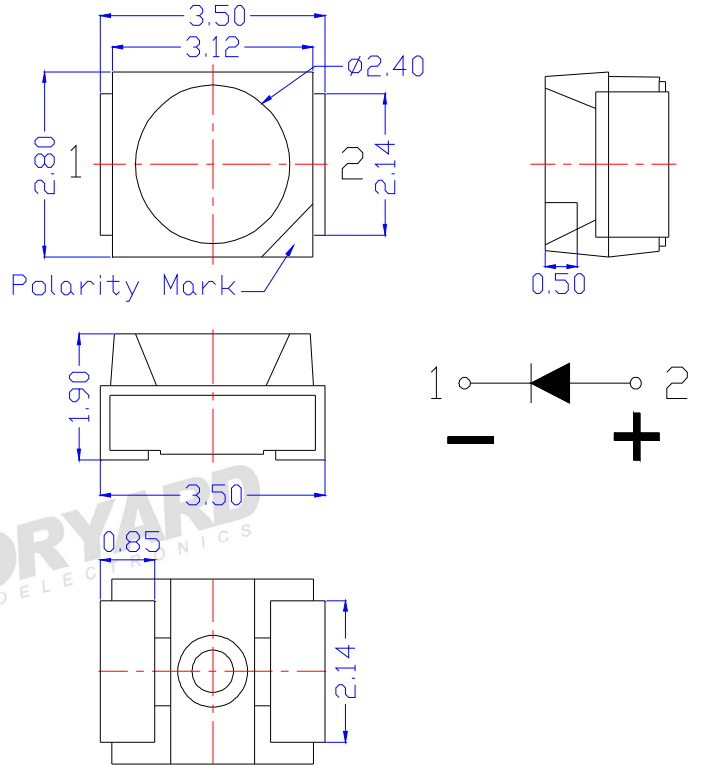
■ Mechanical Dimensions

● Positive polarity



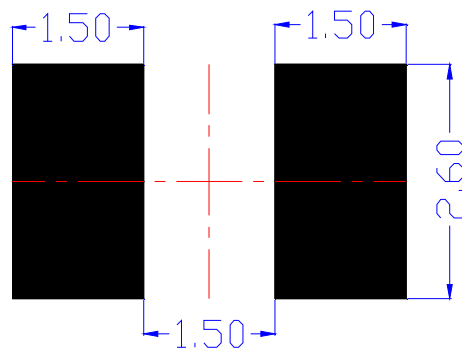
FYLS-3528SURC, FYLS-3528SUYC, FYLS-3528UGC
 FYLS-3528NPGC, FYLS-3528LPGC, FYLS-3528NUBC
 FYLS-3528LUBC

● Reverse polarity



FYLS-3528LLRC, FYLS-3528KCURC, FYLS-3528SCURC,
 FYLS-3528PURC, FYLS-3528LURC, FYLS-3528PUAC,
 FYLS-3528PUYC, FYLS-3528LUYC

■ Recommend Soldering pad design(unit=mm)



Notes:

1. Dimension in millimeter, tolerance is ± 0.10 .
2. Angle: $\pm 5^\circ$
3. The specifications, characteristics and technical data described in the datasheet are subject to change without prior notice.
4. The drawing is different from the actual one, please refer to the sample.

Model No.: FYLS-3528XXXC

■ Absolute maximum ratings

Parameter	Symbol	MAX.		Unit
		AlGaInP	InGaN/GaN	
Power Dissipation	PD	78	100	mW
Peak Forward Current*	IFP	30	25	mA
Continuous Forward Current	IF	100	100	mA
Reverse Voltage	VR	5		V
Reverse Current (VR=5V)	IR	10		u A
Operating Temperature Range	Topr	-40~ +85		°C
Storage Temperature Range	Tstg	-40~ +85		°C

*1/10 Duty Cycle, 0.1ms Pulse Width

■ Electrical-Optical Characteristics

● Color Code & Chip Characteristics:(Test Condition:IF=20mA)

(Ta=25°C)

Model No.:	Emitting Color	Dice Material	Peak Wave Length(AP) nm	Dominant Wave Length(Ad) nm			Spectral Line halfwidth (Δλ1/2) nm	Forward Voltage(VF) Unit:V			Luminous Intensity (Iv) Unit:mcd		
				Min.	Typ.	Max.		Min.	Typ.	Max.	Min.	Typ.	Max.
Ultra brightness													
FYLS-3528LLRC	Hi Red	AlGaInP	660	635	640	645	20	1.80	2.00	2.40	360	450	550
FYLS-3528KCURC	Ultra Red	AlGaInP	630	620	623	627	20	1.80	2.00	2.40	450	550	750
FYLS-3528SURC	Ultra Red	AlGaInP	630	620	623	627	20	1.80	2.00	2.40	225	285	450
FYLS-3528SCURC	Ultra Red	AlGaInP	630	620	623	627	20	1.80	2.00	2.40	550	650	850
FYLS-3528PURC	Ultra Red	AlGaInP	630	620	623	627	20	1.80	2.00	2.40	650	850	1050
FYLS-3528LURC	Ultra Red	AlGaInP	630	620	623	627	20	1.80	2.00	2.40	750	950	1250
FYLS-3528PUAC	Ultra Amber	AlGaInP	610	598	606	610	20	1.80	2.00	2.40	750	950	1250
FYLS-3528SUYC	Ultra Yellow	AlGaInP	593	588	592	596	20	1.80	2.00	2.40	225	285	450
FYLS-3528PUYC	Ultra Yellow	AlGaInP	593	588	592	596	20	1.80	2.00	2.40	650	850	1050
FYLS-3528LUYC	Ultra Yellow	AlGaInP	593	588	592	596	20	1.80	2.00	2.40	750	950	1250
FYLS-3528UGC	Ultra Yellow Green	AlGaInP	570	568	572	576	30	1.80	2.00	2.40	36	57	115
FYLS-3528NPGC	Purea Green	InGaN/GaN	520	514	521.5	529	36	2.80	3.00	3.40	1750	2050	2450
FYLS-3528LPGC	Purea Green	InGaN/GaN	520	514	521.5	529	36	2.80	3.00	3.40	2250	2550	3050
FYLS-3528NUBC	Ultra Blue	InGaN/GaN	468	466	470	476	30	2.80	3.00	3.40	360	450	550
FYLS-3528LUBC	Ultra Blue	InGaN/GaN	468	466	470	476	30	2.80	3.00	3.40	450	550	750

■ Material

Item	Reflector	Wire	Encapsulate
Material	PPA	Gold	Epoxy

Note:

- 1.Luminous Intensity is based on the Foryard standards.
- 2.Pay attention about static for InGaN

Model No.: FYLS-3528XXXC

■ The Luminous Intensity Grade of Products(Unit: mcd) ;Test Condition: If=20mA,Ta=25℃

A		B		C		D		E		F	
A1	A2	B1	B2	C1	C2	D1	D2	E1	E2	F1	F2
0.10	0.20	0.40	0.70	1.20	2.20	3.60	5.10	7.20	9.00	11.50	14.50
0.20	0.40	0.70	1.20	2.20	3.60	5.10	7.20	9.00	11.50	14.50	18.00

G		H		J		K		L		M	
G1	G2	H1	H2	J1	J2	K1	K2	L1	L2	M1	M2
18.00	22.50	28.50	36.00	45.00	57.00	72.00	90.00	115.00	145.00	180.00	225.00
22.50	28.50	36.00	45.00	57.00	72.00	90.00	115.00	145.00	180.00	225.00	285.00

N		P		Q		R		SA		SB	
N1	N2	P1	P2	Q1	Q2	R1	R2	S1	S2	S3	S4
285.00	360.00	450.00	550.00	650.00	750.00	850.00	950.00	1050.00	1150.00	1250.00	1350.00
360.00	450.00	550.00	650.00	750.00	850.00	950.00	1050.00	1150.00	1250.00	1350.00	1450.00

SC		TA		TB		TC		UA		UB	
S5	S6	T1	T2	T3	T4	T5	T6	U1	U2	U3	U4
1450.00	1550.00	1650.00	1750.00	1850.00	1950.00	2050.00	2250.00	2450.00	2650.00	2850.00	3050.00
1550.00	1650.00	1750.00	1850.00	1950.00	2050.00	2250.00	2450.00	2650.00	2850.00	3050.00	3350.00

UC		VA		VB		VC		WA		WB	
U5	U6	V1	V2	V3	V4	V5	V6	W1	W2	W3	W4
3350.00	3650.00	3950.00	4250.00	4650.00	5050.00	5550.00	6050.00	6650.00	7250.00	7950.00	8650.00
3650.00	3950.00	4250.00	4650.00	5050.00	5550.00	6050.00	6650.00	7250.00	7950.00	8650.00	9450.00

WC		XA		XB		XC	
W5	W6	X1	X2	X3	X4	X5	X6
9450.00	10250.00	11250.00	13250.00	16250.00	19250.00	23250.00	27250.00
10250.00	11250.00	13250.00	16250.00	19250.00	23250.00	27250.00	32250.00

Tolerance of measurement of luminous intensity is ±15%

■ Forward Voltage Grade of Products (Unit: V); Test Condition: If=20mA,Ta=25℃

1	2	3	4	5	6	7	8	9	10	11	12
1.60	1.80	2.00	2.20	2.40	2.60	2.80	3.00	3.20	3.40	3.60	3.80
1.80	2.00	2.20	2.40	2.60	2.80	3.00	3.20	3.40	3.60	3.80	4.00

Tolerance of measurement of forward voltage is ±0.1V

Model No.: FYLS-3528XXXC

■ Dominate Wavelength Grade of Products (Unit: nm); Test Condition: If=20mA, Ta=25°C

Red/Ultra Red			
UR			
0	1	2	3
620.00	623.00	627.00	632.00
623.00	627.00	632.00	640.00

Red	
LR	
1	
635.00	
645.00	

Orange/Ultra Orange			
E/UE			
1	2	3	4
614.00	618.00	622.00	627.00
618.00	622.00	627.00	632.00

Amber/Ultra Amber			
A/UA			
1	2	3	4
598.00	602.00	606.00	610.00
602.00	606.00	610.00	614.00

Yellow /Ultra Yellow					
Y/UY					
1	2	3	4	5	6
584.00	586.00	588.00	590.00	592.00	594.00
586.00	588.00	590.00	592.00	594.00	596.00

Yellow Green/Ultra Yellow Green				
G/UG				
0	1	2	3	4
568.00	570.00	572.00	574.00	576.00
570.00	572.00	574.00	576.00	578.00

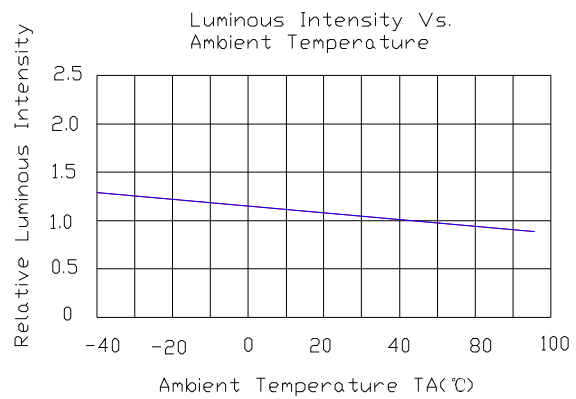
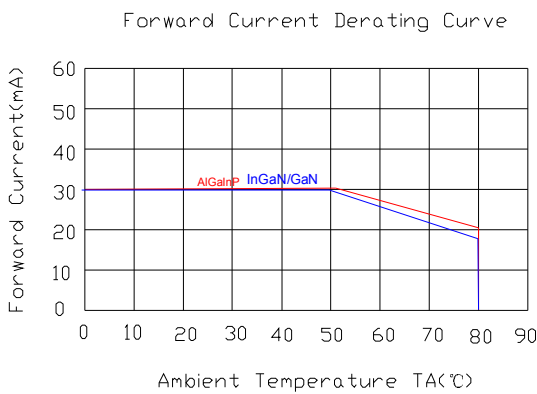
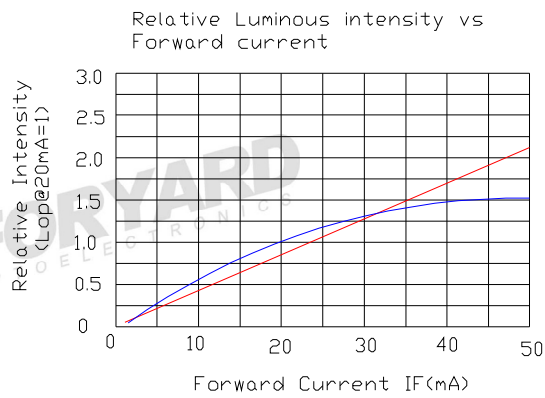
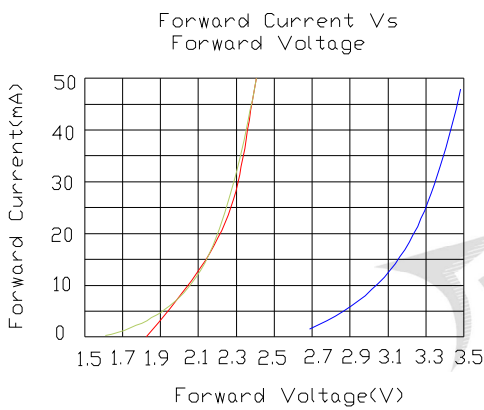
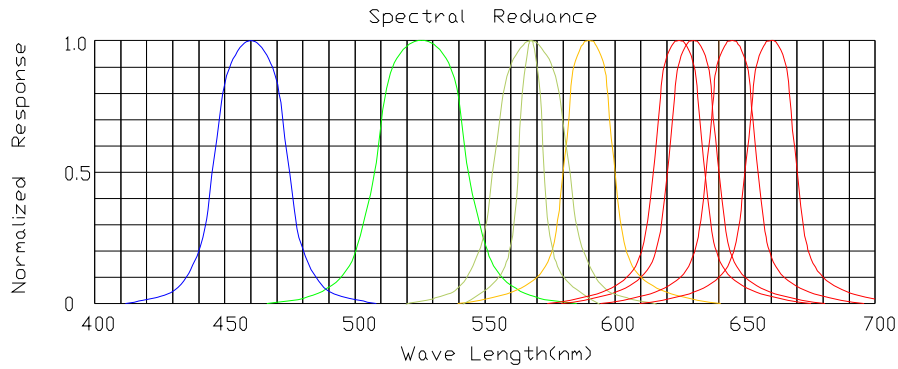
Purea Green									
PG									
1	2	3	4	5	6	7	8	9	A
511.50	514.00	516.50	519.00	521.50	524.00	526.50	529.00	531.50	534.00
514.00	516.50	519.00	521.50	524.00	526.50	529.00	531.50	534.00	536.50

Ultra Blue					
UB					
0	1	2	3	4	5
460.00	463.50	466.00	468.50	471.00	473.50
463.50	466.00	468.50	471.00	473.50	476.00

Tolerance for each Dominate Wavelength bin is ±1nm

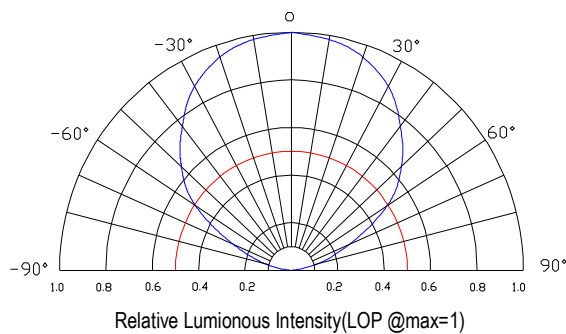
Model No.: FYLS-3528XXXC

Electrical-Optical Characteristics-



NOTE:25°C free air temperature unless otherwise specified

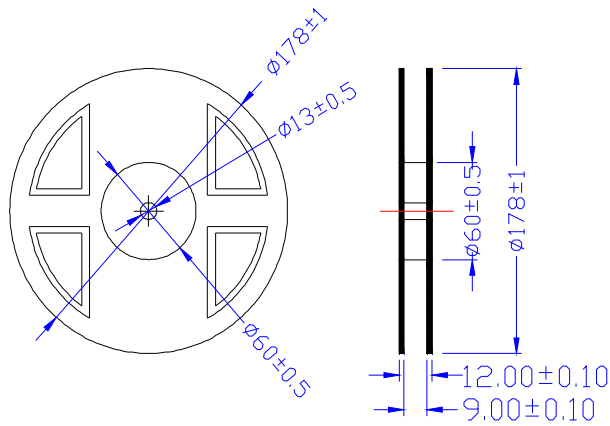
Radiation pattern-



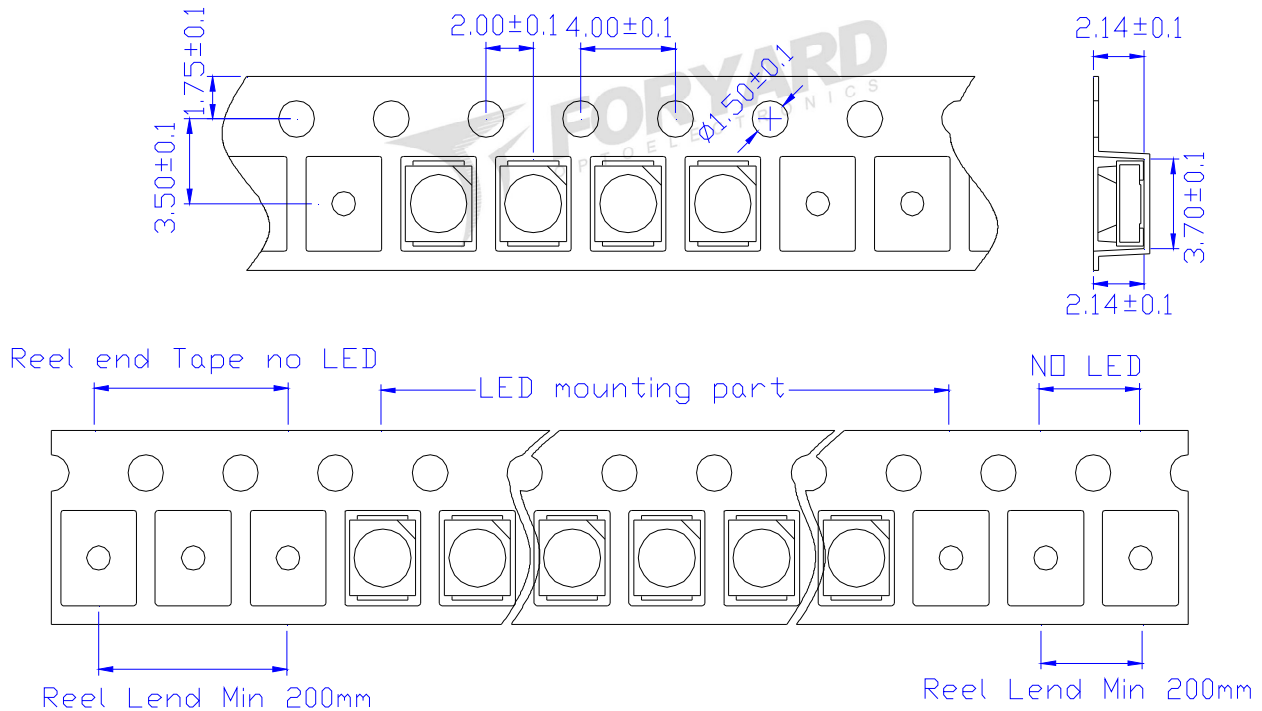
Model No.: FYLS-3528XXXC

■ **Package-**

1. Reel Dimension



2. Tape Dimension



FYLS-3528SURC, FYLS-3528SUYC, FYLS-3528UGC
 FYLS-3528NPGC, FYLS-3528LPGC, FYLS-3528NUBC, FYLS-3528LUBC

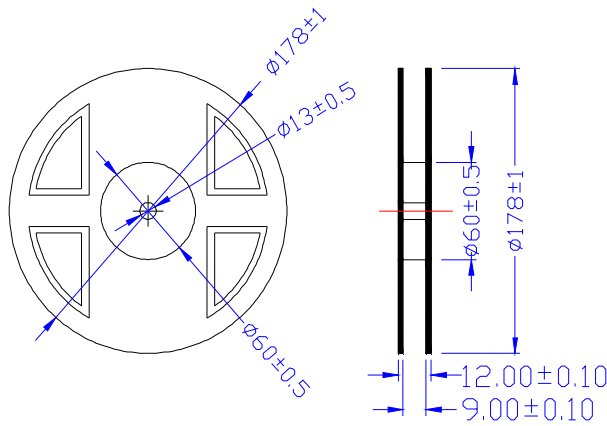
Notice:

1. Tolerance unless mentioned is $\pm 0.2\text{mm}$

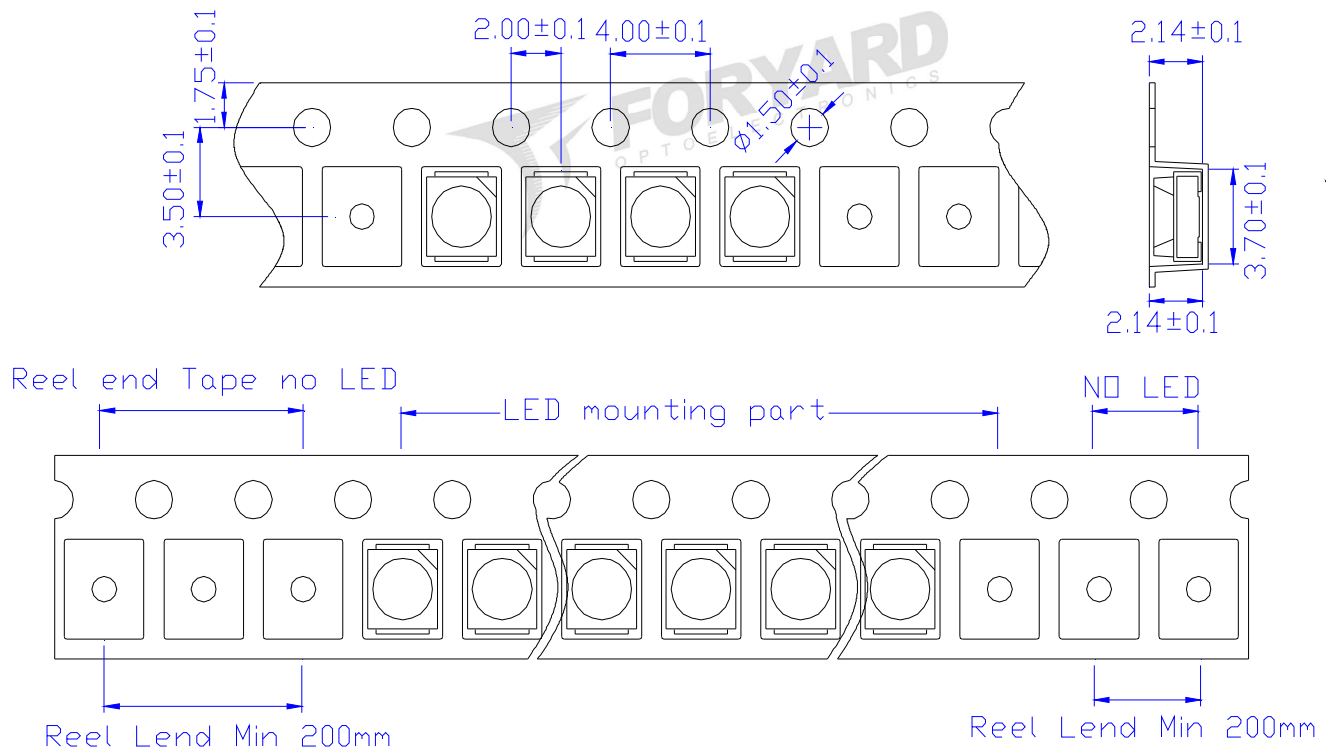
Model No.: FYLS-3528XXXC

Package-

1. Reel Dimension



2. Tape Dimension



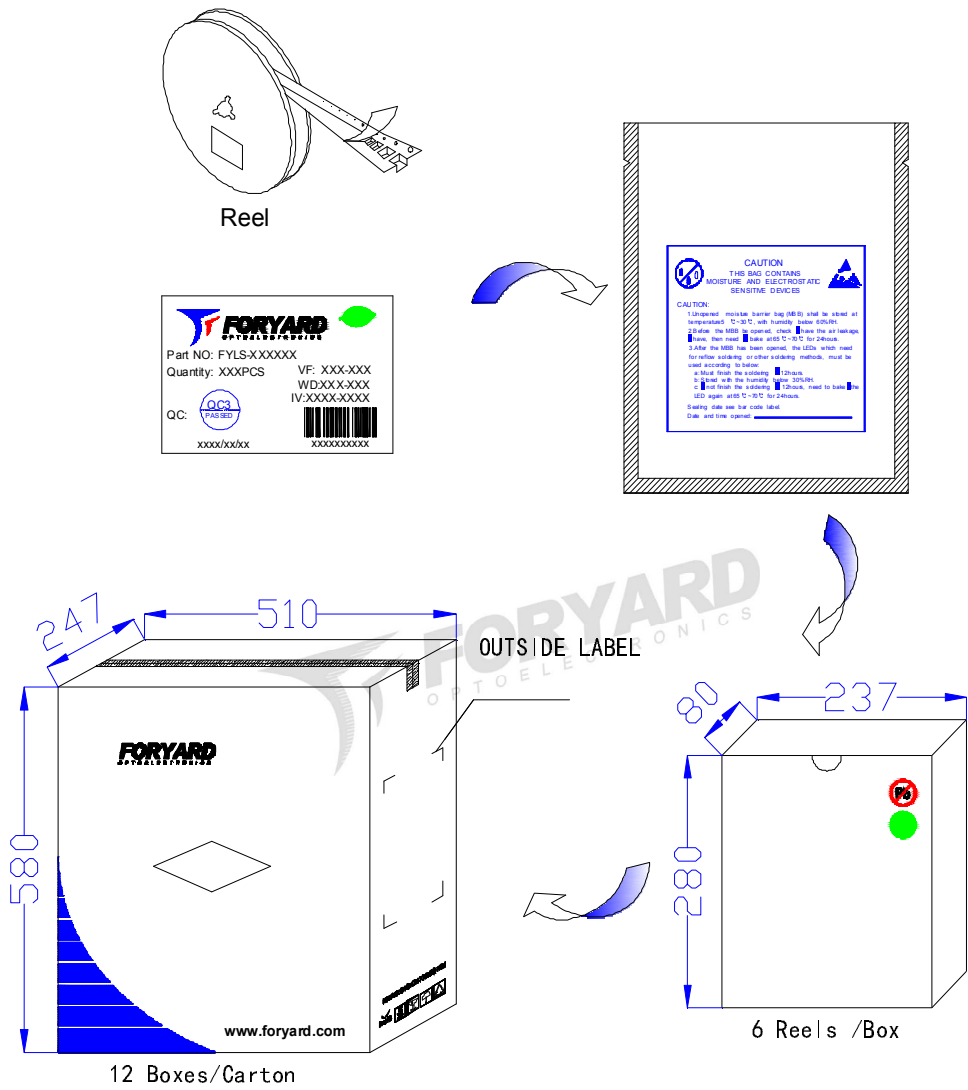

FYLS-3528LLRC, FYLS-3528KCURC, FYLS-3528SCURC, FYLS-3528PURC,
 FYLS-3528LURC, FYLS-3528PUAC, FYLS-3528PUYC, FYLS-3528LUYC

Notice:


1. Tolerance unless mentioned is $\pm 0.2\text{mm}$

Model No.: FYLS-3528XXXC


3. Packing Diagram

LED
 PN : FYLS-XXXXXXXXXX
 Qty : XXXXX PCS
 Date : XXXX/XX/XX
 GW : XX. XX KG
 NW : XX. XX KG



XXXXXXXXXX



OUTSIDE LABEL

Notice:

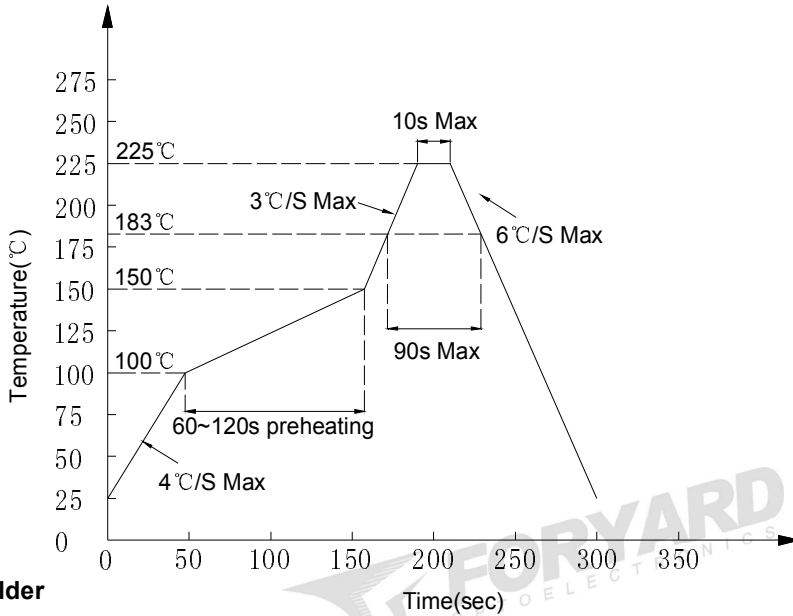
- 1.Quantity:2000 PCS/Reel
- 2.The specifications are subject to change without notice. Please contact us for updated information.

Model No.: FYLS-3528XXXC

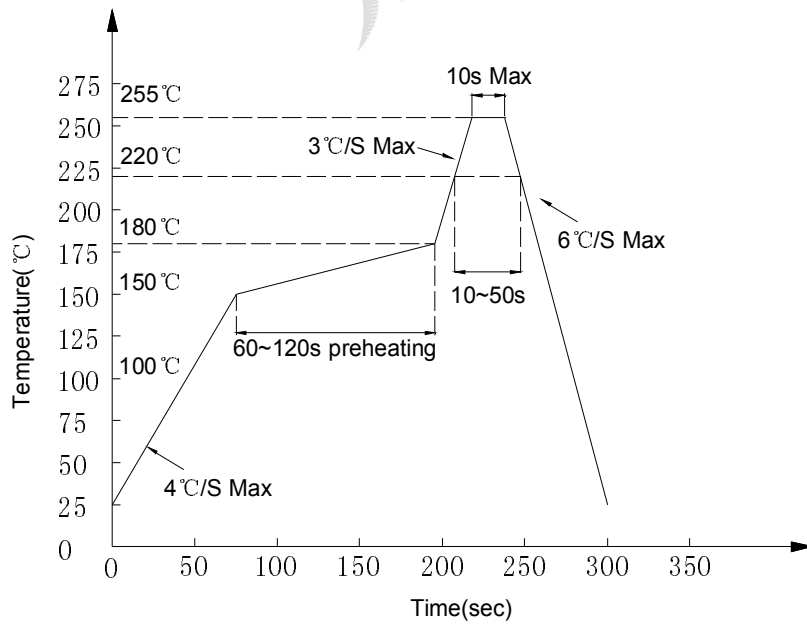
■ Soldering Characteristics-

● Reflow Soldering

● Lead Solder



● Lead-free Solder



Notes:

1. Although the recommended soldering conditions are specified in above table, reflow or hand soldering at the lowest possible temperature is desired for the LEDs.
2. A rapid-rate process is not recommended for cooling the LEDs down from the peak temperature.
3. All temperatures refer to solder Pad.

● Hand Soldering

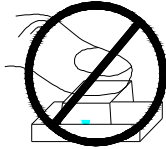
Soldering temperature	300°C Max. (25W Max.)	One time only
Soldering time	5 ±1sec	

Model No.: FYLS-3528XXXC

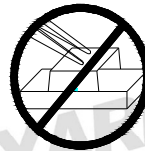
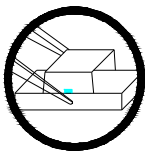
■ Handling of Silicone Resin LEDs-

● Handling Indications

When handling the product, do not touch it directly with bare hands as it may contaminate the surface and affect on optical characteristics. In the worst cases, excessive force to the product might result in catastrophic failure due to package damage and/or wire breakage.

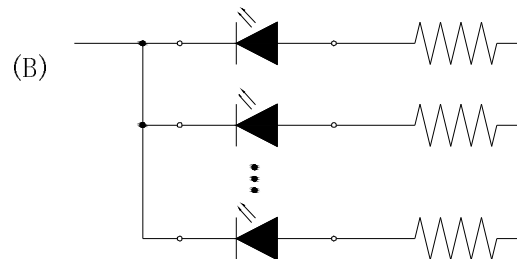
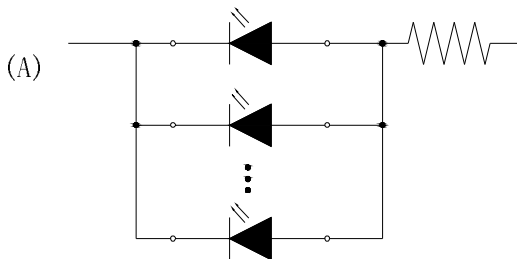


When handling the product with tweezers, LEDs should only be handled from the side and make sure that excessive force is not applied to the resin portion of the product. Failure to comply can cause the resin portion of the product to be cut, chipped, delaminated and/or deformed, and wire to be broken, and thus resulting in catastrophic failure.



■ Recommended circuit-

• In designing a circuit, the current through each LED must not exceed the absolute maximum rating specified for each LED. It is recommended to use Circuit B which regulates the current flowing through each LED. In the meanwhile, when driving LED with a constant voltage in Circuit A, the current through the LEDs may vary due to the variation in forward voltage (VF) of the LEDs. In the worst case, some LED may be subjected to stresses in excess of the absolute maximum rating.



• This product should be operated in forward bias. A driving circuit must be designed so that the product is not subjected to either forward or reverse voltage while it is off. In particular, if a reverse voltage is continuously applied to the product; such operation can cause migration resulting in LED damage.

■ Storage-

● Storage Conditions

1. Unopened moisture barrier bag (MBB) shall be stored at temperature below 5°C~30°C, with humidity below 60%RH.
2. Before the MBB be opened, check if have the air leakage, if have, then need to bake at 65°C~70°C for 24hours.
3. After the MBB has been opened, the LEDs which need for reflow soldering or other soldering methods, must be used according to below:
 - a: Must finish the soldering in 12hours
 - b: Stored with the humidity below 30%RH
 - c: If not finish the soldering in 12hours, need to bake the LED again at 65°C~70°C for 24hours