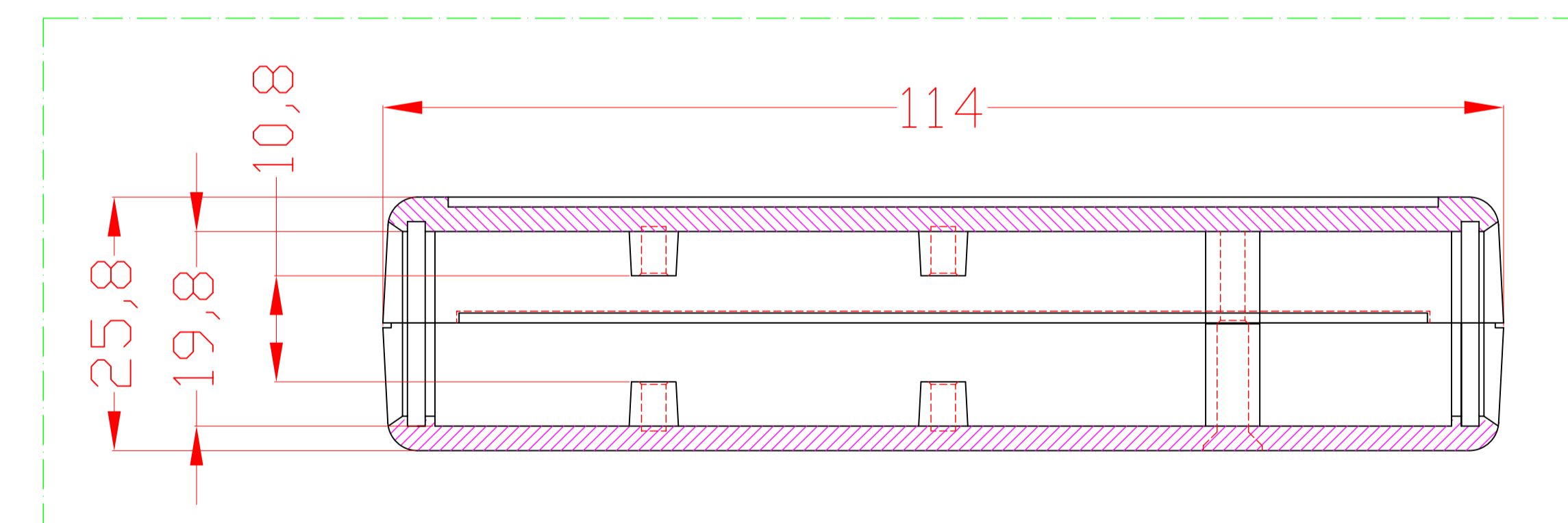
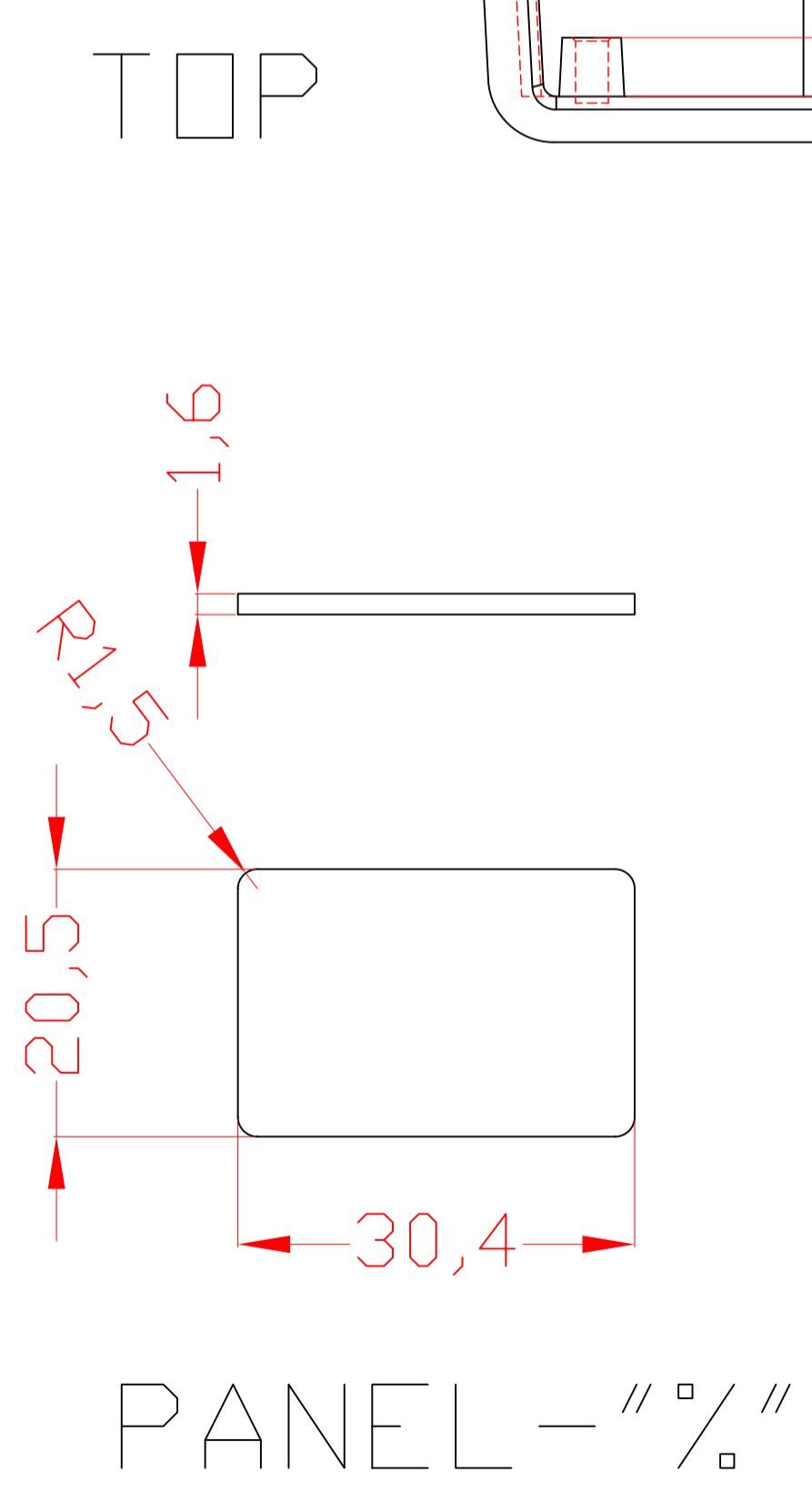
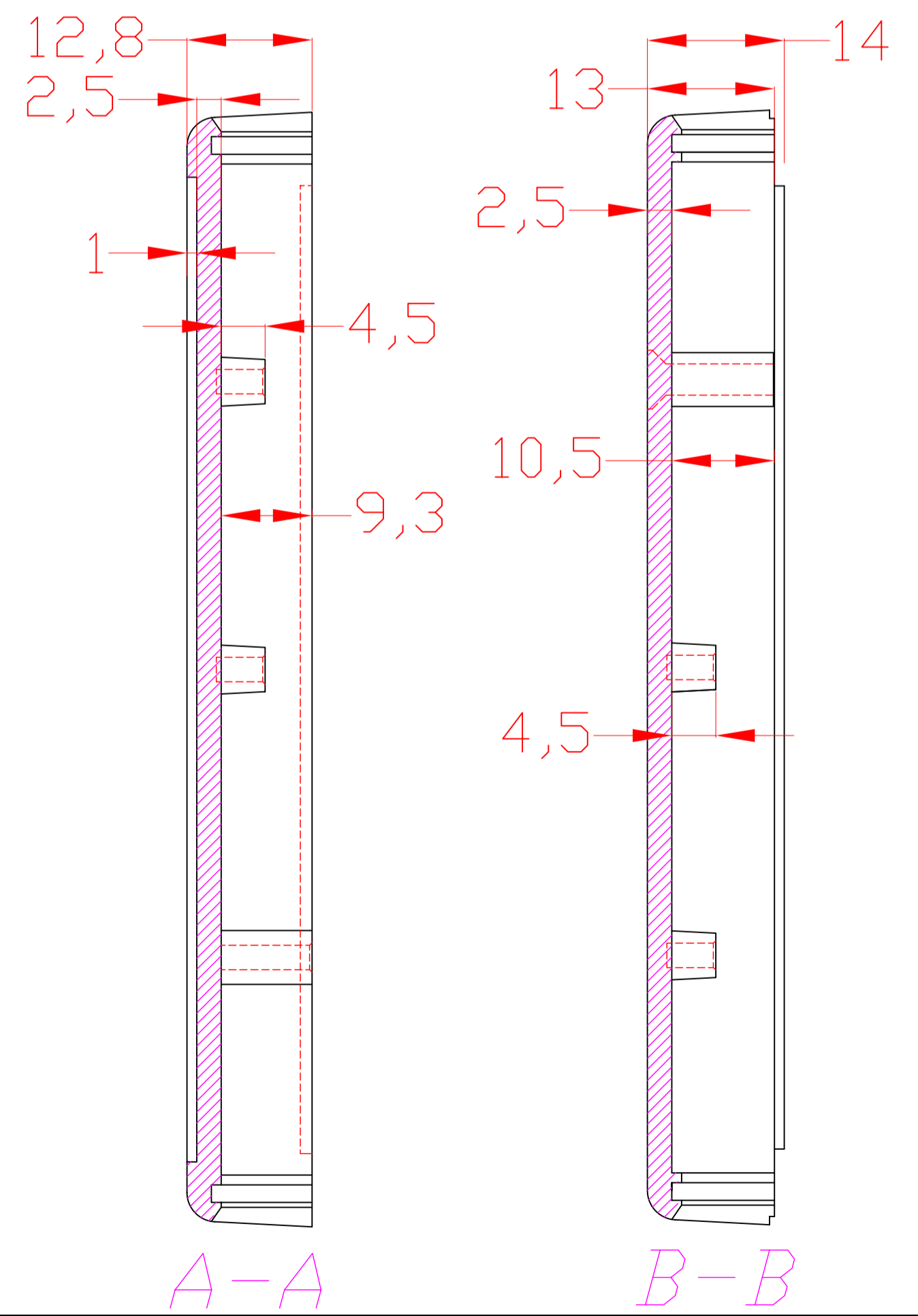
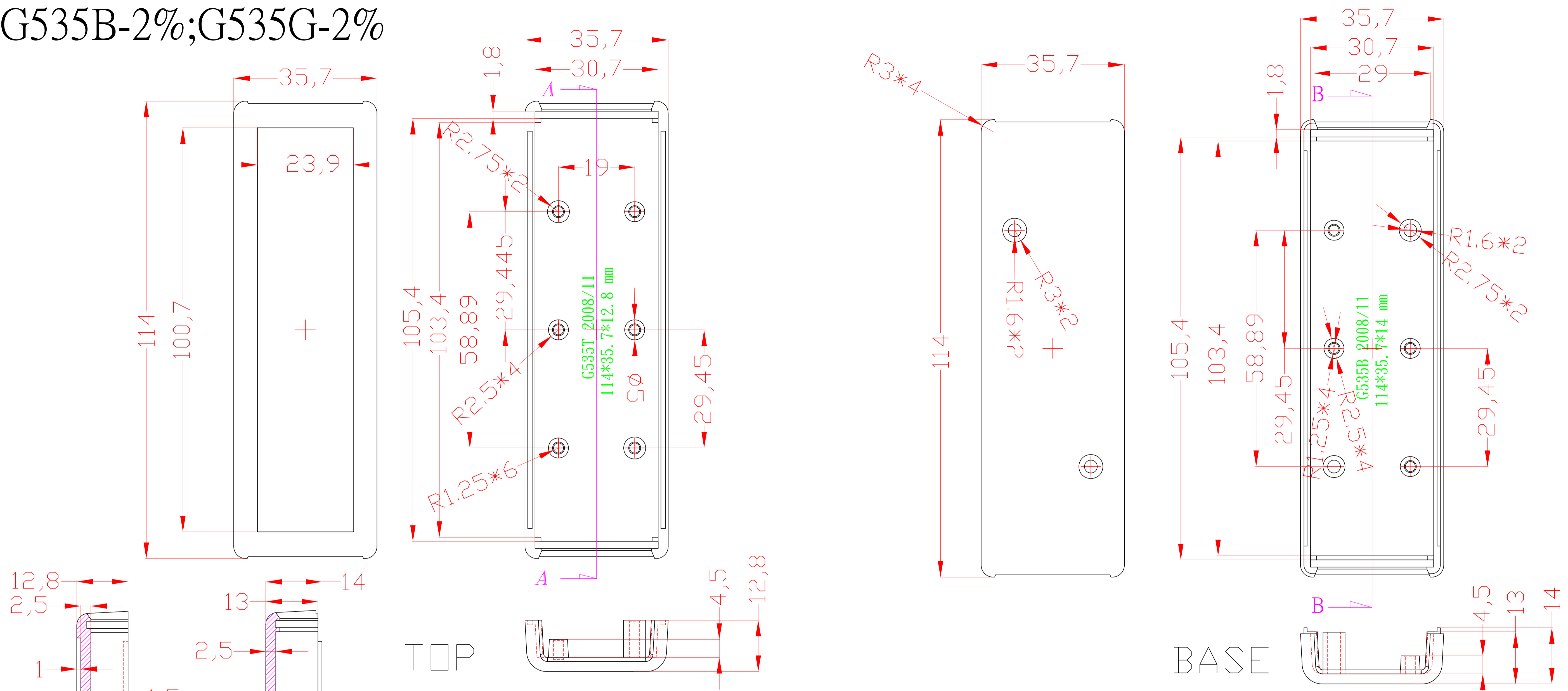


G535B-2%;G535G-2%



According to ISO 2768-m	
Measuring DIM.=L	Tolerance
0.5<L≤3.0 mm	±0.1 mm
3.0<L≤6.0 mm	±0.1 mm
6.0<L≤30.0 mm	±0.2 mm
30.0<L≤120.0 mm	±0.3 mm
120.0<L≤400.0 mm	±0.5 mm
400.0<L≤1000.0 mm	±0.8 mm

ITEM NO	DESCRIPTION
G535B-2%	BLACK(G535T+G535B)*1+BLACK(PANEL-"%")*2+M3*21 mm BLACK SCREWS *2
G535G-2%	GRAY(G535T+G535B)*1+GRAY(PANEL-"%")*2+M3*21 mm BLACK SCREWS *2