

## SMD POWER INDUCTOR

### JCDRH SERIES



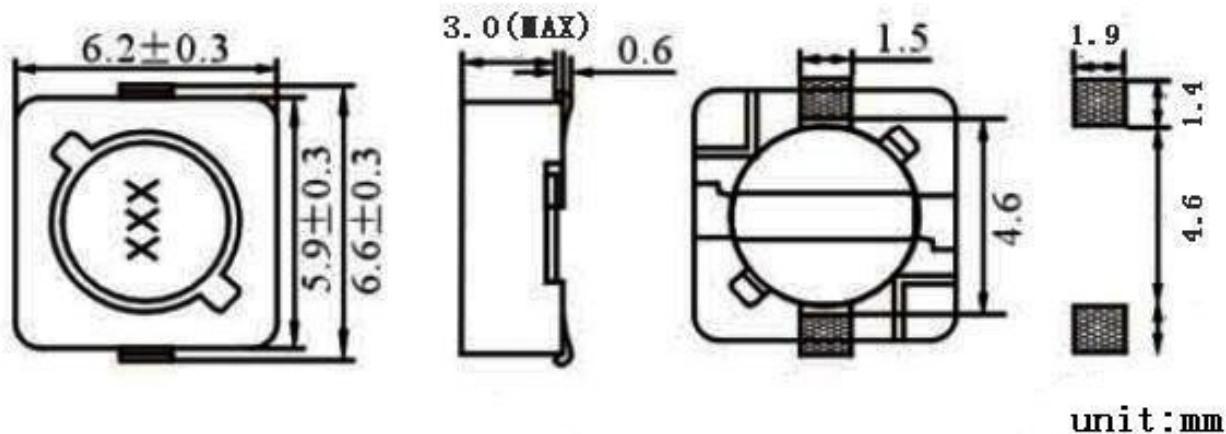
### FEATURES/APPLICATOINS

- .Carrier tape packing use for SMT
- .High rated current & Low DCR,Quadrate;Width:6.2mm~12mm,Height:3mm~8mm.
- .Magnetically shielded construction
- .Suitable for reflow SMT craft soldering
- .Lead free products, RoHS compliant
- .Widely use in Digital products & Scanner/DC-DC converter/Power supply for VTP/LCD monitor/portable terminal equipment/Telecommunications/Notebook and PC Peripheral equipments etc



# JCDRH62

## SHAPE AND DIMENSIONS



## Electrical Characteristics JCDRH62 Series

Part NO	Test Condition	Inductance( $\mu$ H)	Tolerance(%)	DC Resistance( $\Omega$ )Max	Rated Current(A)Max
JCDRH62-1R0N	100KHz	1	$\pm 30$	0.045	3
JCDRH62-1R5N	100KHz	1.5	$\pm 30$	0.05	2.7
JCDRH62-2R2N	100KHz	2.2	$\pm 30$	0.058	2.4
JCDRH62-3R3N	100KHz	3.3	$\pm 30$	0.07	1.94
JCDRH62-3R9N	100KHz	3.9	$\pm 30$	0.08	1.63
JCDRH62-4R7N	100KHz	4.7	$\pm 30$	0.09	1.55
JCDRH62-5R6N	100KHz	5.6	$\pm 30$	0.1	1.4
JCDRH62-6R8N	100KHz	6.8	$\pm 30$	0.12	1.3
JCDRH62-8R2M	100KHz	8.2	$\pm 30$	0.13	1.2
JCDRH62-100M	100KHz	10	$\pm 30$	0.15	1.1
JCDRH62-120M	100KHz	12	$\pm 20$	0.2	1
JCDRH62-150M	100KHz	15	$\pm 20$	0.23	0.9

Special inquiries besides the above common used types can be meet

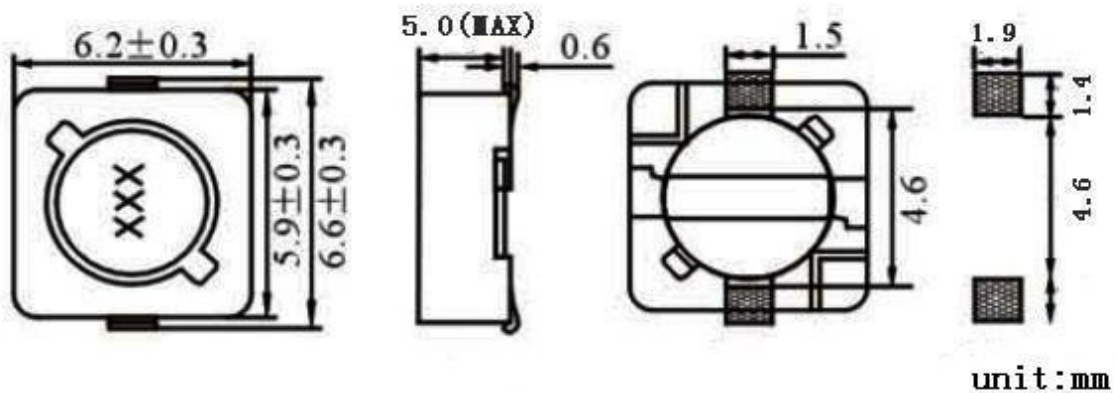
## Electrical Characteristics JCDRH62 Series

Part NO	Test Condition	Inductance( $\mu$ H)	Tolerance(%)	DC Resistance( $\Omega$ )Max	Rated Current(A)Max
JCDRH62-180M	100KHz	18	$\pm 20$	0.27	0.8
JCDRH62-220M	100KHz	22	$\pm 20$	0.34	0.74
JCDRH62-270M	100KHz	27	$\pm 20$	0.38	0.66
JCDRH62-330M	100KHz	33	$\pm 20$	0.45	0.59
JCDRH62-390M	100KHz	39	$\pm 20$	0.49	0.54
JCDRH62-470M	100KHz	47	$\pm 20$	0.69	0.5
JCDRH62-560M	100KHz	56	$\pm 20$	0.78	0.46
JCDRH62-680M	100KHz	68	$\pm 20$	1.07	0.42
JCDRH62-820M	100KHz	82	$\pm 20$	1.21	0.38
JCDRH62-101M	100KHz	100	$\pm 20$	1.39	0.34
JCDRH62-121M	100KHz	120	$\pm 20$	1.9	0.31
JCDRH62-151M	100KHz	150	$\pm 20$	2.18	0.28
JCDRH62-181M	100KHz	180	$\pm 20$	2.77	0.26
JCDRH62-221M	100KHz	220	$\pm 20$	3.12	0.23
JCDRH62-271M	100KHz	270	$\pm 20$	4.38	0.22
JCDRH62-331M	100KHz	330	$\pm 20$	4.94	0.19

Special inquiries besides the above common used types can be meet

## JCDRH64

### SHAPE AND DIMENSIONS



## Electrical Characteristics JCDRH64 Series

Part NO	Test Condition	Inductance( $\mu$ H)	Tolerance(%)	DC Resistance( $\Omega$ )Max	Rated Current(A)Max
JCDRH64-1R0N	100KHz	1	$\pm 30$	0.024	4
JCDRH64-1R5N	100KHz	1.5	$\pm 30$	0.03	3.5
JCDRH64-2R2N	100KHz	2.2	$\pm 30$	0.038	3.1
JCDRH64-3R3N	100KHz	3.3	$\pm 30$	0.048	2.8
JCDRH64-3R9N	100KHz	3.9	$\pm 30$	0.054	2.5
JCDRH64-4R7N	100KHz	4.7	$\pm 30$	0.06	2.3
JCDRH64-5R6N	100KHz	5.6	$\pm 30$	0.07	2
JCDRH64-6R8N	100KHz	6.8	$\pm 30$	0.08	1.7
JCDRH64-8R2M	100KHz	8.2	$\pm 20$	0.1	1.5
JCDRH64-100M	100KHz	10	$\pm 20$	0.12	1.35
JCDRH64-120M	100KHz	12	$\pm 20$	0.13	1.22
JCDRH64-150M	100KHz	15	$\pm 20$	0.18	1.11
JCDRH64-180M	100KHz	18	$\pm 20$	0.24	1.02
JCDRH64-220M	100KHz	22	$\pm 20$	0.27	0.91
JCDRH64-270M	100KHz	27	$\pm 20$	0.3	0.82
JCDRH64-330M	100KHz	33	$\pm 20$	0.33	0.74
JCDRH64-390M	100KHz	39	$\pm 20$	0.37	0.69
JCDRH64-470M	100KHz	47	$\pm 20$	0.52	0.62
JCDRH64-560M	100KHz	56	$\pm 20$	0.56	0.58
JCDRH64-680M	100KHz	68	$\pm 20$	0.63	0.51
JCDRH64-820M	100KHz	82	$\pm 20$	0.71	0.46
JCDRH64-101M	100KHz	100	$\pm 20$	1.03	0.42
JCDRH64-121M	100KHz	120	$\pm 20$	1.15	0.38
JCDRH64-151M	100KHz	150	$\pm 20$	1.68	0.35
JCDRH64-181M	100KHz	180	$\pm 20$	1.87	0.32
JCDRH64-221M	100KHz	220	$\pm 20$	2.08	0.29
JCDRH64-271M	100KHz	270	$\pm 20$	2.37	0.26
JCDRH64-331M	100KHz	330	$\pm 20$	2.67	0.23
JCDRH64-391M	100KHz	390	$\pm 20$	2.94	0.22
JCDRH64-471M	100KHz	470	$\pm 20$	3.39	0.2
JCDRH64-561M	100KHz	560	$\pm 20$	5.43	0.18

Special inquiries besides the above common used types can be meet

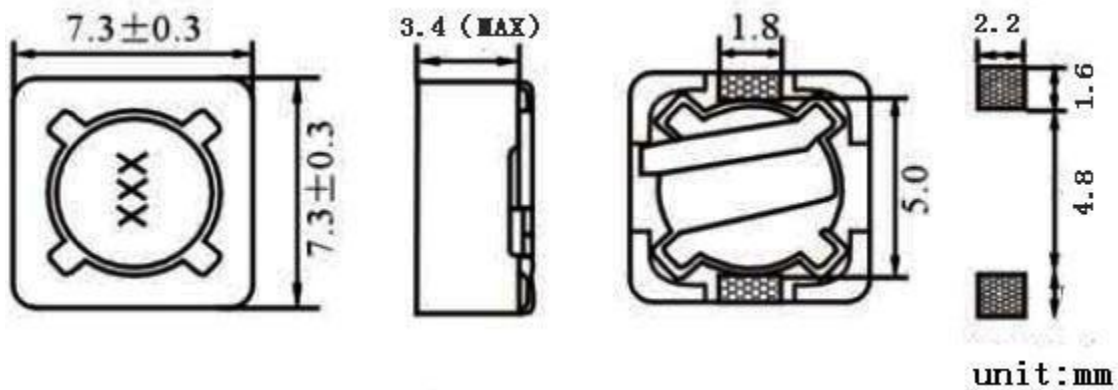
## Electrical Characteristics JCDRH64 Series

Part NO	Test Condition	Inductance( $\mu$ H)	Tolerance(%)	DC Resistance( $\Omega$ )Max	Rated Current(A)Max
JCDRH64-681M	100KHz	680	$\pm 20$	7.32	0.17
JCDRH64-821M	100KHz	820	$\pm 20$	8.24	0.15
JCDRH64-102M	100KHz	1000	$\pm 20$	9.26	0.14

Special inquiries besides the above common used types can be meet

## JCDRH73

### SHAPE AND DIMENSIONS



## Electrical Characteristics JCDRH73 Series

Part NO	Test Condition	Inductance( $\mu$ H)	Tolerance(%)	DC Resistance( $\Omega$ )Max	Rated Current(A)Max
JCDRH73-1R0M	100KHz	1	$\pm 20$	0.01	4.9
JCDRH73-1R5M	100KHz	1.5	$\pm 20$	0.018	4
JCDRH73-2R2M	100KHz	2.2	$\pm 20$	0.025	3.55
JCDRH73-3R3M	100KHz	3.3	$\pm 20$	0.03	3.1
JCDRH73-3R9M	100KHz	3.9	$\pm 20$	0.03	3
JCDRH73-4R7M	100KHz	4.7	$\pm 20$	0.035	2.78

Special inquiries besides the above common used types can be meet

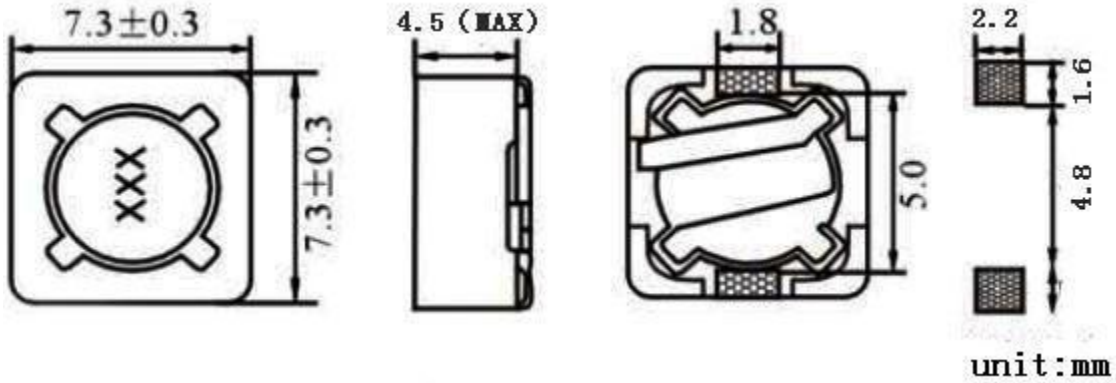
## Electrical Characteristics JCDRH73 Series

Part NO	Test Condition	Inductance( $\mu$ H)	Tolerance(%)	DC Resistance( $\Omega$ )Max	Rated Current(A)Max
JCDRH73-5R6M	100KHz	5.6	$\pm 20$	0.047	2.4
JCDRH73-6R8M	100KHz	6.8	$\pm 20$	0.055	2.1
JCDRH73-8R2M	100KHz	8.2	$\pm 20$	0.65	1.92
JCDRH73-100M	100KHz	10	$\pm 20$	0.072	1.68
JCDRH73-120M	100KHz	12	$\pm 20$	0.098	1.52
JCDRH73-150M	100KHz	15	$\pm 20$	0.13	1.33
JCDRH73-180M	100KHz	18	$\pm 20$	0.14	1.2
JCDRH73-220M	100KHz	22	$\pm 20$	0.19	1.07
JCDRH73-270M	100KHz	27	$\pm 20$	0.21	0.96
JCDRH73-330M	100KHz	33	$\pm 20$	0.24	0.91
JCDRH73-390M	100KHz	39	$\pm 20$	0.32	0.77
JCDRH73-470M	100KHz	47	$\pm 20$	0.36	0.76
JCDRH73-560M	100KHz	56	$\pm 20$	0.47	0.68
JCDRH73-680M	100KHz	68	$\pm 20$	0.52	0.61
JCDRH73-820M	100KHz	82	$\pm 20$	0.69	0.57
JCDRH73-101M	100KHz	100	$\pm 20$	0.79	0.5
JCDRH73-121M	100KHz	120	$\pm 20$	0.89	0.49
JCDRH73-151M	100KHz	150	$\pm 20$	1.27	0.43
JCDRH73-181M	100KHz	180	$\pm 20$	1.45	0.38
JCDRH73-221M	100KHz	220	$\pm 20$	1.65	0.35
JCDRH73-271M	100KHz	270	$\pm 20$	2.31	0.32
JCDRH73-331M	100KHz	330	$\pm 20$	2.62	0.28
JCDRH73-391M	100KHz	390	$\pm 20$	2.94	0.26
JCDRH73-471M	100KHz	470	$\pm 20$	4.18	0.24
JCDRH73-561M	100KHz	560	$\pm 20$	4.67	0.22
JCDRH73-681M	100KHz	680	$\pm 20$	5.73	0.19
JCDRH73-821M	100KHz	820	$\pm 20$	6.54	0.18
JCDRH73-102M	100KHz	1000	$\pm 20$	9.44	0.16

Special inquiries besides the above common used types can be meet

# JCDRH74

## SHAPE AND DIMENSIONS



## Electrical Characteristics JCDRH74 Series

Part NO	Test Condition	Inductance( $\mu$ H)	Tolerance(%)	DC Resistance( $\Omega$ )Max	Rated Current(A)Max
JCDRH74-1R0M	100KHz	1	$\pm 20$	0.01	5.3
JCDRH74-1R5M	100KHz	1.5	$\pm 20$	0.014	4.55
JCDRH74-2R2M	100KHz	2.2	$\pm 20$	0.016	4.1
JCDRH74-3R3M	100KHz	3.3	$\pm 20$	0.023	3.5
JCDRH74-3R9M	100KHz	3.9	$\pm 20$	0.023	3.2
JCDRH74-4R7M	100KHz	4.7	$\pm 20$	0.028	2.9
JCDRH74-5R6M	100KHz	5.6	$\pm 20$	0.033	2.65
JCDRH74-6R8M	100KHz	6.8	$\pm 20$	0.035	2.5
JCDRH74-8R2M	100KHz	8.2	$\pm 20$	0.05	2.1
JCDRH74-100M	100KHz	10	$\pm 20$	0.05	1.84
JCDRH74-120M	100KHz	12	$\pm 20$	0.06	1.71
JCDRH74-150M	100KHz	15	$\pm 20$	0.08	1.47
JCDRH74-180M	100KHz	18	$\pm 20$	0.09	1.31
JCDRH74-220M	100KHz	22	$\pm 20$	0.11	1.23
JCDRH74-270M	100KHz	27	$\pm 20$	0.15	1.12
JCDRH74-330M	100KHz	33	$\pm 20$	0.17	0.96
JCDRH74-390M	100KHz	39	$\pm 20$	0.23	0.91

Special inquiries besides the above common used types can be meet



---

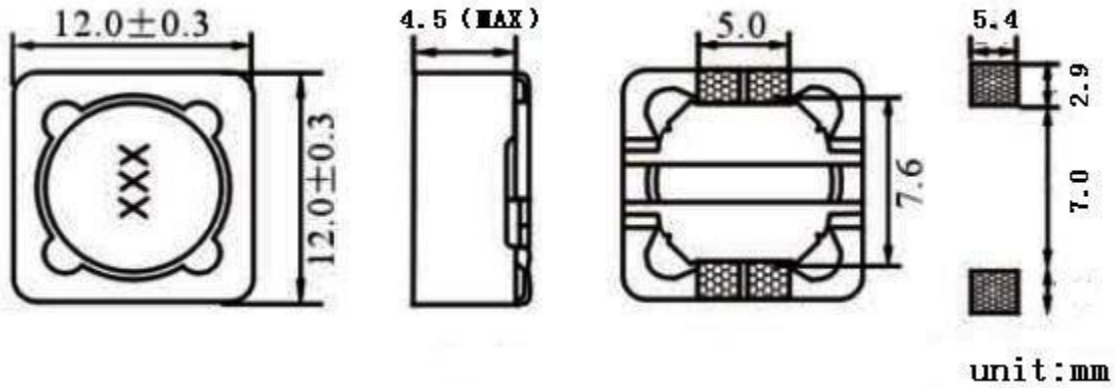
## Electrical Characteristics JCDRH74 Series

Part NO	Test Condition	Inductance( $\mu$ H)	Tolerance(%)	DC Resistance( $\Omega$ )Max	Rated Current(A)Max
JCDRH74-470M	100KHz	47	$\pm 20$	0.26	0.88
JCDRH74-560M	100KHz	56	$\pm 20$	0.35	0.75
JCDRH74-680M	100KHz	68	$\pm 20$	0.38	0.69
JCDRH74-820M	100KHz	82	$\pm 20$	0.43	0.61
JCDRH74-101M	100KHz	100	$\pm 20$	0.61	0.6
JCDRH74-121M	100KHz	120	$\pm 20$	0.66	0.52
JCDRH74-151M	100KHz	150	$\pm 20$	0.88	0.46
JCDRH74-181M	100KHz	180	$\pm 20$	0.98	0.42
JCDRH74-221M	100KHz	220	$\pm 20$	1.17	0.36
JCDRH74-271M	100KHz	270	$\pm 20$	1.64	0.34
JCDRH74-331M	100KHz	330	$\pm 20$	1.86	0.32
JCDRH74-391M	100KHz	390	$\pm 20$	2.85	0.29
JCDRH74-471M	100KHz	470	$\pm 20$	3.01	0.26
JCDRH74-561M	100KHz	560	$\pm 20$	3.62	0.23
JCDRH74-681M	100KHz	680	$\pm 20$	1.63	0.22
JCDRH74-821M	100KHz	820	$\pm 20$	5.2	0.2
JCDRH74-102M	100KHz	1000	$\pm 20$	6	0.18

Special inquiries besides the above common used types can be meet

# JCDRH124

## SHAPE AND DIMENSIONS



## Electrical Characteristics JCDRH124 Series

Part NO	Test Condition	Inductance(μH)	Tolerance(%)	DC Resistance(Ω)Max	Rated Current(A)Max
JCDRH124-1R0N	1KHz	1	30	0.01	7
JCDRH124-2R2N	1KHz	2.2	30	0.014	5.7
JCDRH124-3R3N	1KHz	3.3	30	0.015	5.2
JCDRH124-4R7N	1KHz	4.7	30	0.018	4.9
JCDRH124-5R6N	1KHz	5.6	30	0.02	4.5
JCDRH124-6R8N	1KHz	6.8	30	0.023	4.2
JCDRH124-8R2N	1KHz	8.2	30	0.026	4
JCDRH124-100M	1KHz	10	20	0.028	3.8
JCDRH124-120M	1KHz	12	20	0.038	3.5
JCDRH124-150M	1KHz	15	20	0.05	3.2
JCDRH124-180M	1KHz	18	20	0.057	3.1
JCDRH124-220M	1KHz	22	20	0.066	2.9
JCDRH124-270M	1KHz	27	20	0.08	2.8
JCDRH124-330M	1KHz	33	20	0.097	2.7
JCDRH124-390M	1KHz	39	20	0.132	2.1
JCDRH124-470M	1KHz	47	20	0.16	1.9
JCDRH124-560M	1KHz	56	20	0.19	1.8

Special inquiries besides the above common used types can be meet

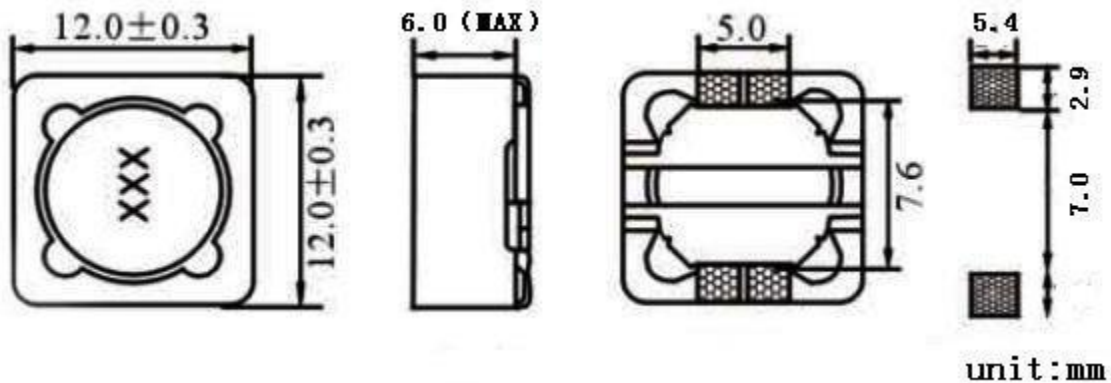
## Electrical Characteristics JCDRH124 Series

Part NO	Test Condition	Inductance( $\mu$ H)	Tolerance(%)	DC Resistance( $\Omega$ )Max	Rated Current(A)Max
JCDRH124-680M	1KHz	68	20	0.22	1.5
JCDRH124-820M	1KHz	82	20	0.26	1.3
JCDRH124-101M	1KHz	100	20	0.31	1.2
JCDRH124-121M	1KHz	120	20	0.38	1.1
JCDRH124-151M	1KHz	150	20	0.53	0.95
JCDRH124-181M	1KHz	180	20	0.62	0.85
JCDRH124-221M	1KHz	220	20	0.7	0.8
JCDRH124-271M	1KHz	270	20	0.87	0.6
JCDRH124-331M	1KHz	330	20	0.99	0.5
JCDRH124-471M	1KHz	470	20	1.12	0.45
JCDRH124-561M	1KHz	560	20	1.2	0.4
JCDRH124-681M	1KHz	680	20	1.5	0.35
JCDRH124-821M	1KHz	820	20	1.68	0.3
JCDRH124-102M	1KHz	1000	20	2	0.27

Special inquiries besides the above common used types can be meet

## JCDRH125

### SHAPE AND DIMENSIONS



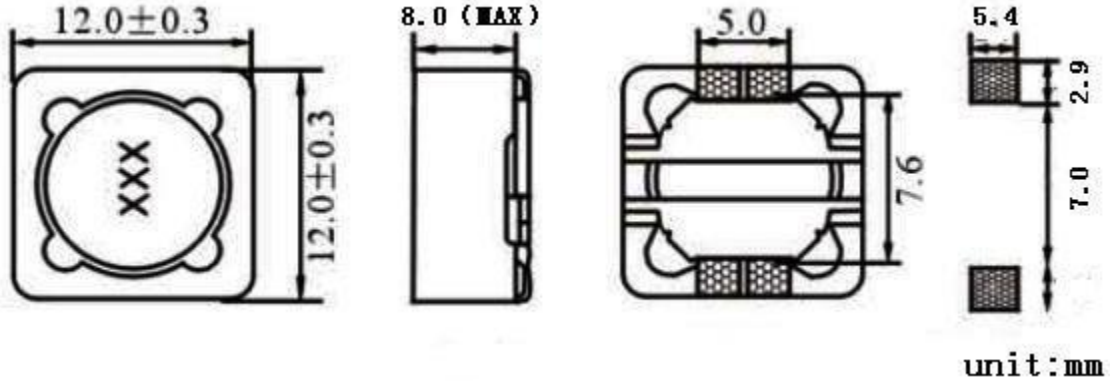
## Electrical Characteristics JCDRH125 Series

Part NO	Test Condition	Inductance( $\mu$ H)	Tolerance(%)	DC Resistance( $\Omega$ )Max	Rated Current(A)Max
JCDRH125-1R0N	100KHz	1.0	$\pm 30$	0.012	8
JCDRH125-2R2N	100KHz	2.2	$\pm 30$	0.014	7
JCDRH125-3R3N	100KHz	3.3	$\pm 30$	0.017	6
JCDRH125-4R7N	100KHz	4.7	$\pm 30$	0.020	5
JCDRH125-5R6N	100KHz	5.6	$\pm 30$	0.021	4.4
JCDRH125-6R8N	100KHz	6.8	$\pm 30$	0.024	4.2
JCDRH125-100M	100KHz	10	$\pm 20$	0.025	4
JCDRH125-120M	100KHz	12	$\pm 20$	0.027	3.5
JCDRH125-150M	100KHz	15	$\pm 20$	0.030	3.3
JCDRH125-180M	100KHz	18	$\pm 20$	0.034	3
JCDRH125-220M	100KHz	22	$\pm 20$	0.036	2.8
JCDRH125-270M	100KHz	27	$\pm 20$	0.051	2.3
JCDRH125-330M	100KHz	33	$\pm 20$	0.057	2.1
JCDRH125-390M	100KHz	39	$\pm 20$	0.068	2
JCDRH125-470M	100KHz	47	$\pm 20$	0.075	1.8
JCDRH125-560M	100KHz	56	$\pm 20$	0.110	1.7
JCDRH125-680M	100KHz	68	$\pm 20$	0.120	1.5
JCDRH125-820M	100KHz	82	$\pm 20$	0.140	1.4
JCDRH125-101M	100KHz	100	$\pm 20$	0.160	1.3
JCDRH125-121M	100KHz	120	$\pm 20$	0.170	1.1
JCDRH125-151M	100KHz	150	$\pm 20$	0.230	1
JCDRH125-181M	100KHz	180	$\pm 20$	0.290	0.9
JCDRH125-221M	100KHz	220	$\pm 20$	0.400	0.8
JCDRH125-271M	100KHz	270	$\pm 20$	0.460	0.75
JCDRH125-331M	100KHz	330	$\pm 20$	0.510	0.68
JCDRH125-391M	100KHz	390	$\pm 20$	0.690	0.65
JCDRH125-471M	100KHz	470	$\pm 20$	0.770	0.58
JCDRH125-561M	100KHz	560	$\pm 20$	0.860	0.54
JCDRH125-681M	100KHz	680	$\pm 20$	1.200	0.48
JCDRH125-821M	100KHz	820	$\pm 20$	1.340	0.43
JCDRH125-102M	100KHz	1000	$\pm 20$	1.530	0.4

Special inquiries besides the above common used types can be meet

# JCDRH127

## SHAPE AND DIMENSIONS



## Electrical Characteristics JCDRH127 Series

Part NO	Test Condition	Inductance(μH)	Tolerance(%)	DC Resistance(Ω)Max	Rated Current(A)Max
JCDRH127-1R0N	100KHz	10	±30	0.007	9.8
JCDRH127-2R2N	100KHz	2.2	±30	0.012	8
JCDRH127-3R3N	100KHz	3.3	±30	0.014	7.5
JCDRH127-4R7N	100KHz	4.7	±30	0.016	6.8
JCDRH127-6R8N	100KHz	6.8	±30	0.018	6.6
JCDRH127-8R2N	100KHz	8.2	±30	0.020	5.9
JCDRH127-100M	100KHz	10	±20	0.022	5.4
JCDRH127-120M	100KHz	12	±20	0.025	4.9
JCDRH127-150M	100KHz	15	±20	0.027	4.5
JCDRH127-180M	100KHz	18	±20	0.039	3.9
JCDRH127-220M	100KHz	22	±20	0.043	3.6
JCDRH127-270M	100KHz	27	±20	0.046	3.4
JCDRH127-330M	100KHz	33	±20	0.065	3
JCDRH127-390M	100KHz	39	±20	0.073	2.75
JCDRH127-470M	100KHz	47	±20	0.100	2.5
JCDRH127-560M	100KHz	56	±20	0.110	2.35
JCDRH127-680M	100KHz	68	±20	0.140	2.1

Special inquiries besides the above common used types can be meet

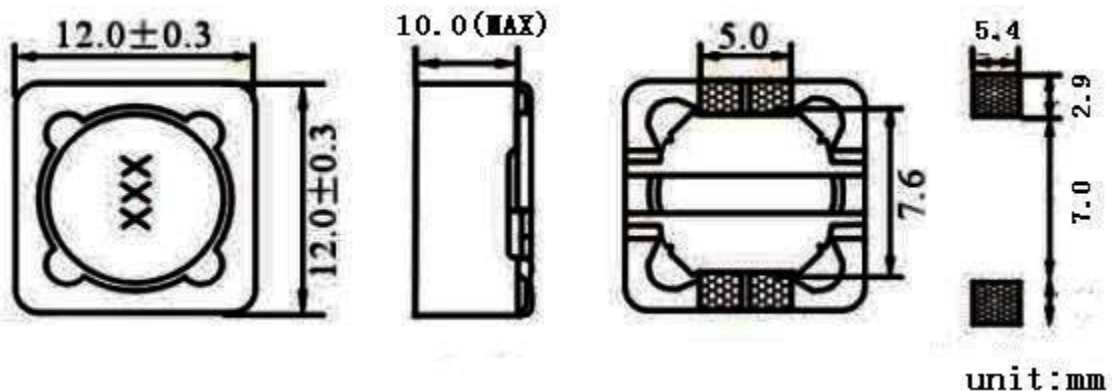
## Electrical Characteristics JCDRH127 Series

Part NO	Test Condition	Inductance( $\mu$ H)	Tolerance(%)	DC Resistance( $\Omega$ )Max	Rated Current(A)Max
JCDRH127-820M	100KHz	82	$\pm 20$	0.160	1.95
JCDRH127-101M	100KHz	100	$\pm 20$	0.220	1.7
JCDRH127-121M	100KHz	120	$\pm 20$	0.250	1.6
JCDRH127-151M	100KHz	150	$\pm 20$	0.280	1.42
JCDRH127-181M	100KHz	180	$\pm 20$	0.350	1.3
JCDRH127-221M	100KHz	220	$\pm 20$	0.390	1.16
JCDRH127-271M	100KHz	270	$\pm 20$	0.560	1.06
JCDRH127-331M	100KHz	330	$\pm 20$	0.640	0.95
JCDRH127-391M	100KHz	390	$\pm 20$	0.700	0.88
JCDRH127-471M	100KHz	470	$\pm 20$	0.980	0.79
JCDRH127-561M	100KHz	560	$\pm 20$	1.070	0.73
JCDRH127-681M	100KHz	680	$\pm 20$	1.460	0.67
JCDRH127-821M	100KHz	820	$\pm 20$	0.640	0.6
JCDRH127-102M	100KHz	1000	$\pm 20$	1.820	0.55

Special inquiries besides the above common used types can be meet

## JCDRH129

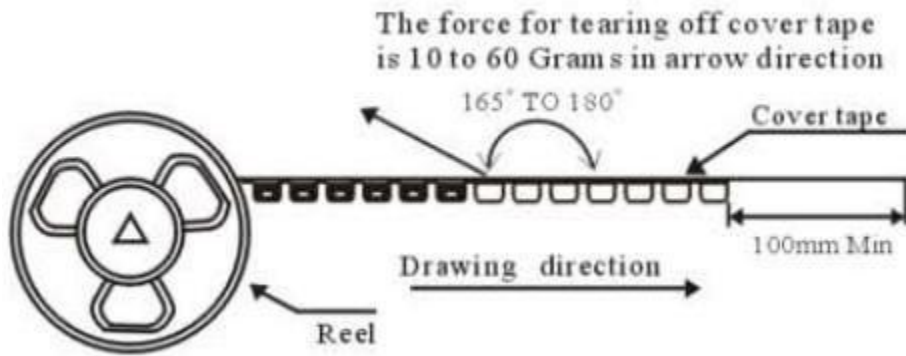
### SHAPE AND DIMENSIONS



## Electrical Characteristics JCDRH129 Series

Part NO	Test Condition	Inductance( $\mu$ H)	Tolerance(%)	DC Resistance( $\Omega$ )Max	Rated Current(A)Max
JCDRH129-1R0M	100KHz	1	$\pm 20$	4.2 m	29.6
JCDRH129-1R5M	100KHz	1.5	$\pm 20$	5.5 m	23.1
JCDRH129-2R2M	100KHz	2.2	$\pm 20$	6.8 m	18.9
JCDRH129-3R3M	100KHz	3.3	$\pm 20$	8.3 m	16
JCDRH129-4R7M	100KHz	4.7	$\pm 20$	11.7 m	13.8
JCDRH129-5R6M	100KHz	5.6	$\pm 20$	13.2 m	12.2
JCDRH129-6R8M	100KHz	6.8	$\pm 20$	15.0 m	10.9
JCDRH129-8R2M	100KHz	8.2	$\pm 20$	20.8 m	9.89
JCDRH129-100M	100KHz	10	$\pm 20$	23.1 m	9.03
JCDRH129-150M	100KHz	15	$\pm 20$	33.9 m	7.69
JCDRH129-220M	100KHz	22	$\pm 20$	50.7 m	6.29
JCDRH129-330M	100KHz	33	$\pm 20$	64.6 m	5.06
JCDRH129-470M	100KHz	47	$\pm 20$	97.8 m	4.24
JCDRH129-680M	100KHz	68	$\pm 20$	0.14	3.52
JCDRH129-101M	100KHz	100	$\pm 20$	0.21	2.92
JCDRH129-151M	100KHz	150	$\pm 20$	0.32	2.39
JCDRH129-221M	100KHz	220	$\pm 20$	0.4	1.98
JCDRH129-331M	100KHz	330	$\pm 20$	0.62	1.61
JCDRH129-471M	100KHz	470	$\pm 20$	0.94	1.34
JCDRH129-681M	100KHz	680	$\pm 20$	1.4	1.11
JCDRH129-102M	100KHz	1000	$\pm 20$	2.13	0.92

Special inquiries besides the above common used types can be meet



TYPE	QUANTITIES PCS/reel	TYPE	QUANTITIES PCS/reel
JCDRH62	1500	JCDRH124	750
JCDRH64	1000	JCDRH125	500
JCDRH73	1000	JCDRH127	500
JCDRH74	1000	JCDRH129	400