

## SMD POWER INDUCTOR

### JS 4D~6D SERIES



### FEATURES/APPLICATOINS

- .Carrier tape packing use for SMT
- .Small product,quadrate,Width:3.0mm~7.0mm Height:1.2mm~4.0mm
- .Magnetically shielded construction
- .Suitable for reflow SMT craft soldering
- .Lead free products, RoHS compliant
- .Widely use in Digital products & Scanner/DC-DC converter/Power supply for VTP/LCD monitor/portable terminal equipment/Telecommunications/Notebook and PC Peripheral equipments etc

---

## PRODUCT INDICATION

**JS**      **4D28**      –      **220**      **M**  
①                      ②                                      ③                      ④

① Product type: JS type

② External dimension: Quadrate,4D for Width 5.0Max  
28 for Height 3.0Max

③ Electrical code: 220 for 22 $\mu$ H

④ Tolerance: K for  $\pm 10\%$ ; M for  $\pm 20\%$

### Page

JS4D11.....	3
JS4D16.....	4
JS4D18.....	5
JS4D28.....	6
JS5D18.....	7
JS5D28.....	8
JS6D28.....	9
JS6D38.....	10

### ■ Notes:

●

Inductance instrument: HP4286A/CH1062A or LCR Meter equivalent.

●

Inductance testing condition: 100KHz/1KHz.

●

DCR instrument: TH2512B or DCR test equipment equivalent .

●

Rated Current test: VR7210&VR113H.

●

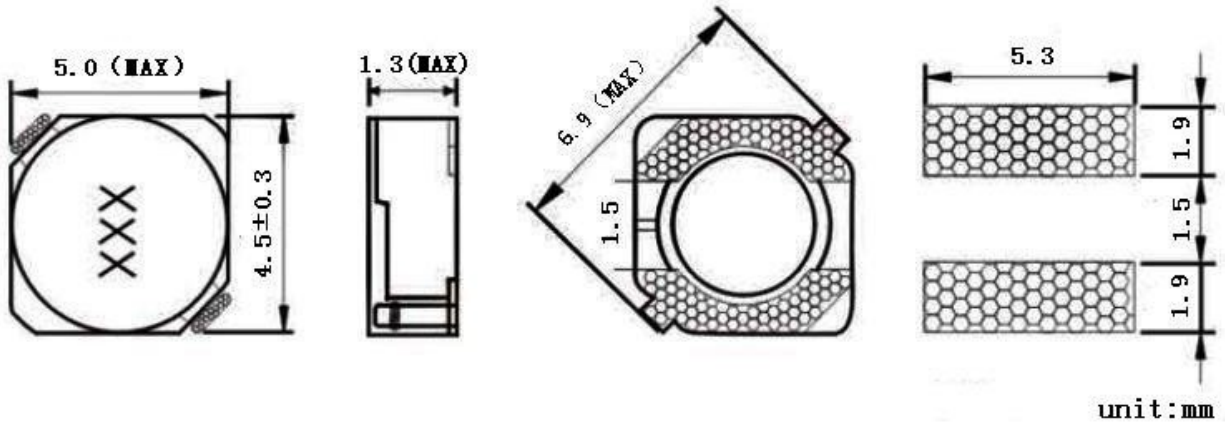
Rated Current definition: Inductance drop by 25% or temperature rise by 40 $^{\circ}$ C ,  
the lesser of the minimum as the rated current.

●

Temperature storage range: -25 $^{\circ}$ C~80 $^{\circ}$ C; the relative humidity: RH65%~85%.

# JS4D11

## SIZE AND DIMENSIONS



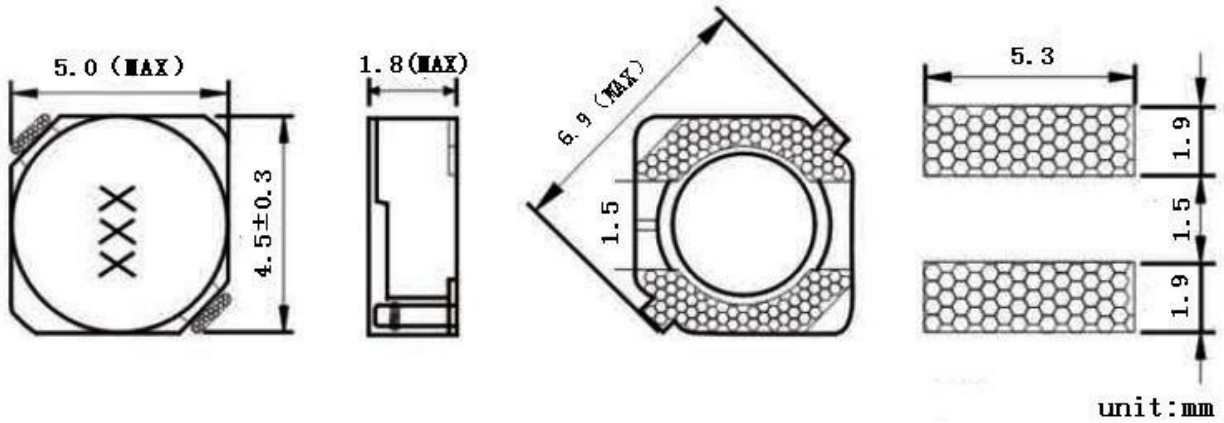
## Electrical Characteristics JS4D11 Series

Part NO	Test Condition	Inductance( $\mu$ H)	Tolerance(%)	DC Resistance( $\Omega$ )Max	Rated Current(A)Max
JS4D11-3R3N	100KHz/0.1V	3.3	$\pm 30$	0.106	1.17
JS4D11-4R7N	100KHz/0.1V	4.7	$\pm 30$	0.137	0.99
JS4D11-6R8N	100KHz/0.1V	6.8	$\pm 30$	0.206	0.90
JS4D11-100M	100KHz/0.1V	10.0	$\pm 20$	0.297	0.68
JS4D11-150M	100KHz/0.1V	15.0	$\pm 20$	0.460	0.53
JS4D11-220M	100KHz/0.1V	22.0	$\pm 20$	0.706	0.44
JS4D11-330M	100KHz/0.1V	33.0	$\pm 20$	1.004	0.36

Special inquiries besides the above common used types can be meet

# JS4D16

SIZE AND DIMENSIONS



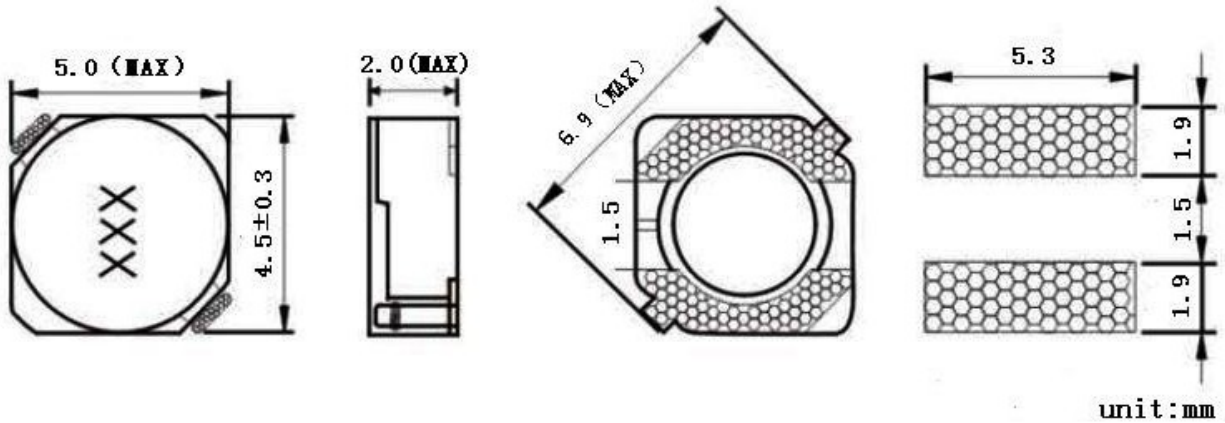
## Electrical Characteristics JS4D16 Series

Part NO	Test Condition	Inductance(μH)	Tolerance(%)	DC Resistance(Ω)Max	Rated Current(A)Max
JS4D16-2R0N	100KHz/0.1V	2.0	±30	0.035	1.90
JS4D16-2R6N	100KHz/0.1V	2.6	±30	0.038	1.70
JS4D16-4R7M	100KHz/0.1V	4.7	±20	0.058	1.20
JS4D16-6R8M	100KHz/0.1V	6.8	±20	0.081	1.00
JS4D16-100M	100KHz/0.1V	10	±20	0.118	0.80
JS4D16-150M	100KHz/0.1V	15	±20	0.179	0.65
JS4D16-220M	100KHz/0.1V	22	±20	0.288	0.52
JS4D16-330M	100KHz/0.1V	33	±20	0.320	0.45

Special inquiries besides the above common used types can be meet

# JS4D18

SIZE AND DIMENSIONS



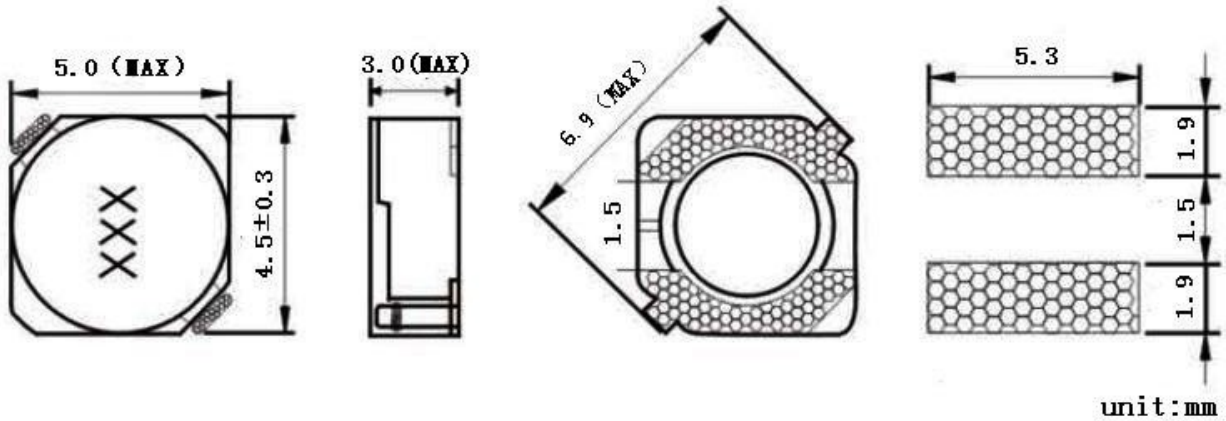
## Electrical Characteristics JS4D18 Series

Part NO	Test Condition	Inductance( $\mu$ H)	Tolerance(%)	DC Resistance( $\Omega$ )Max	Rated Current(A)Max
JS4D18-1R0N	100KHz/0.1V	1.0	$\pm 30$	0.045	1.72
JS4D18-2R2N	100KHz/0.1V	2.2	$\pm 30$	0.075	1.32
JS4D18-3R3N	100KHz/0.1V	3.3	$\pm 30$	0.110	1.04
JS4D18-4R7M	100KHz/0.1V	4.7	$\pm 20$	0.162	0.84
JS4D18-5R6M	100KHz/0.1V	5.6	$\pm 20$	0.170	0.80
JS4D18-6R8M	100KHz/0.1V	6.8	$\pm 20$	0.200	0.76
JS4D18-8R2M	100KHz/0.1V	8.2	$\pm 20$	0.215	0.68
JS4D18-100M	100KHz/0.1V	10.0	$\pm 20$	0.225	0.61
JS4D18-120M	100KHz/0.1V	12.0	$\pm 20$	0.235	0.56
JS4D18-150M	100KHz/0.1V	15.0	$\pm 20$	0.240	0.50
JS4D18-180M	100KHz/0.1V	18.0	$\pm 20$	0.338	0.48
JS4D18-220M	100KHz/0.1V	22.0	$\pm 20$	0.392	0.41
JS4D18-270M	100KHz/0.1V	27.0	$\pm 20$	0.441	0.35
JS4D18-330M	100KHz/0.1V	33.0	$\pm 20$	0.578	0.32
JS4D18-390M	100KHz/0.1V	39.0	$\pm 20$	0.642	0.30
JS4D18-470M	100KHz/0.1V	47.0	$\pm 20$	0.720	0.28

Special inquiries besides the above common used types can be meet

# JS4D28

SIZE AND DIMENSIONS



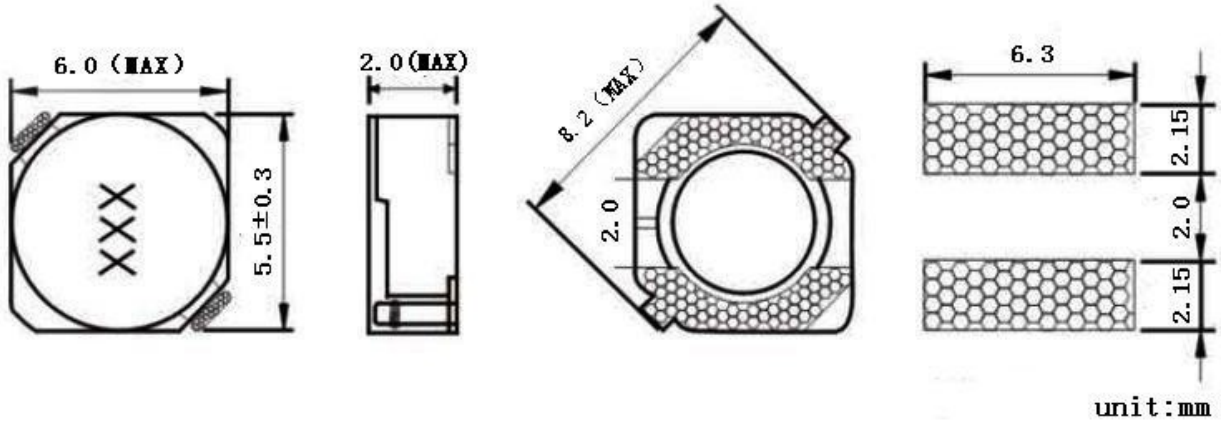
## Electrical Characteristics JS4D28 Series

Part NO	Test Condition	Inductance(μH)	Tolerance (%)	DC Resistance(Ω)Max	Rated Current(A)Max
JS4D28-1R0N	100KHz/0.1V	1	±30	0.02	2.4
JS4D28-1R5N	100KHz/0.1V	1.5	±30	0.025	2.1
JS4D28-2R2N	100KHz/0.1V	2.2	±30	0.031	2.04
JS4D28-3R3N	100KHz/0.1V	3.3	±30	0.055	1.75
JS4D28-4R7M	100KHz/0.1V	4.7	±20	0.072	1.32
JS4D28-5R6M	100KHz/0.1V	5.6	±20	0.1	1.17
JS4D28-6R8M	100KHz/0.1V	6.8	±20	0.118	1.04
JS4D28-100M	100KHz/0.1V	10	±20	0.128	1
JS4D28-150M	100KHz/0.1V	15	±20	0.149	0.76
JS4D28-220M	100KHz/0.1V	22	±20	0.235	0.7
JS4D28-330M	100KHz/0.1V	33	±20	0.378	0.56
JS4D28-470M	100KHz/0.1V	47	±20	0.587	0.48
JS4D28-560M	100KHz/0.1V	56	±20	0.624	0.41
JS4D28-680M	100KHz/0.1V	68	±20	0.699	0.35
JS4D28-820M	100KHz/0.1V	82	±20	0.914	0.32
JS4D28-101M	100KHz/0.1V	100	±20	1.02	0.29

Special inquiries besides the above common used types can be meet

# JS5D18

SIZE AND DIMENSIONS



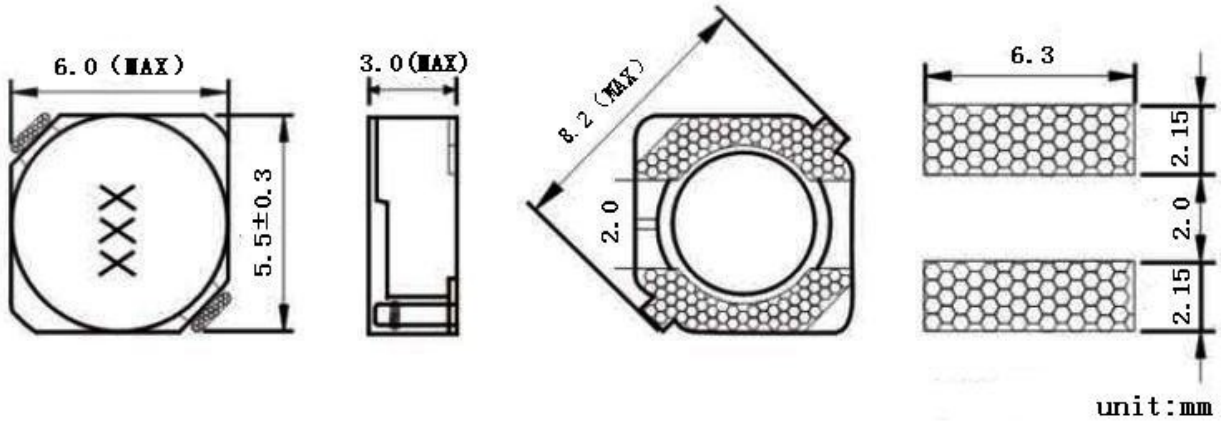
## Electrical Characteristics JS5D18 Series

Part NO	Test Condition	Inductance(μH)	Tolerance(%)	DC Resistance(Ω)Max	Rated Current(A)Max
JS5D18-1R0N	100KHz/0.1V	1	±30	0.048	2.5
JS5D18-1R5N	100KHz/0.1V	1.5	±30	0.055	2.3
JS5D18-2R2N	100KHz/0.1V	2.2	±30	0.068	2.1
JS5D18-3R3N	100KHz/0.1V	3.3	±30	0.068	1.95
JS5D18-5R6M	100KHz/0.1V	5.6	±20	0.078	1.6
JS5D18-8R2M	100KHz/0.1V	8.2	±20	0.115	1.25
JS5D18-100M	100KHz/0.1V	10	±20	0.124	1.2
JS5D18-120M	100KHz/0.1V	12	±20	0.153	1.1
JS5D18-150M	100KHz/0.1V	15	±20	0.196	0.9
JS5D18-180M	100KHz/0.1V	18	±20	0.21	0.85
JS5D18-220M	100KHz/0.1V	22	±20	0.29	0.8
JS5D18-270M	100KHz/0.1V	27	±20	0.33	0.75
JS5D18-330M	100KHz/0.1V	33	±20	0.386	0.65
JS5D18-470M	100KHz/0.1V	47	±20	0.595	0.54
JS5D18-680M	100KHz/0.1V	68	±20	0.84	0.43
JS5D18-820M	100KHz/0.1V	82	±20	0.978	0.41
JS5D18-101M	100KHz/0.1V	100	±20	1.2	0.36
JS5D18-151M	100KHz/0.1V	150	±20	1.4	0.28

Special inquiries besides the above common used types can be meet

# JS5D28

## SHAPE AND DIMENSIONS



## Electrical Characteristics JS5D28 Series

Part NO	Test Condition	Inductance(μH)	Tolerance(%)	DC Resistance(Ω)Max	Rated Current(A)Max
JS5D28-1R0N	100KHz/0.1V	1.0	±30	0.010	3.00
JS5D28-2R2N	100KHz/0.1V	2.2	±30	0.018	2.60
JS5D28-3R3N	100KHz/0.1V	3.3	±30	0.024	2.40
JS5D28-4R7M	100KHz/0.1V	4.7	±20	0.038	2.20
JS5D28-5R6M	100KHz/0.1V	5.6	±20	0.045	1.90
JS5D28-6R8M	100KHz/0.1V	6.8	±20	0.053	1.60
JS5D28-100M	100KHz/0.1V	10.0	±20	0.065	1.30
JS5D28-120M	100KHz/0.1V	12.0	±20	0.076	1.20
JS5D28-150M	100KHz/0.1V	15.0	±20	0.103	1.10
JS5D28-220M	100KHz/0.1V	22.0	±20	0.122	0.90
JS5D28-270M	100KHz/0.1V	27.0	±20	0.175	0.85
JS5D28-330M	100KHz/0.1V	33.0	±20	0.189	0.75
JS5D28-390M	100KHz/0.1V	39.0	±20	0.212	0.70
JS5D28-470M	100KHz/0.1V	47.0	±20	0.260	0.62
JS5D28-560M	100KHz/0.1V	56.0	±20	0.305	0.58
JS5D28-680M	100KHz/0.1V	68.0	±20	0.355	0.52
JS5D28-820M	100KHz/0.1V	82.0	±20	0.463	0.46
JS5D28-101M	100KHz/0.1V	100	±20	0.520	0.42
JS5D28-151M	100KHz/0.1V	150	±20	0.690	0.35

Special inquiries besides the above common used types can be mee



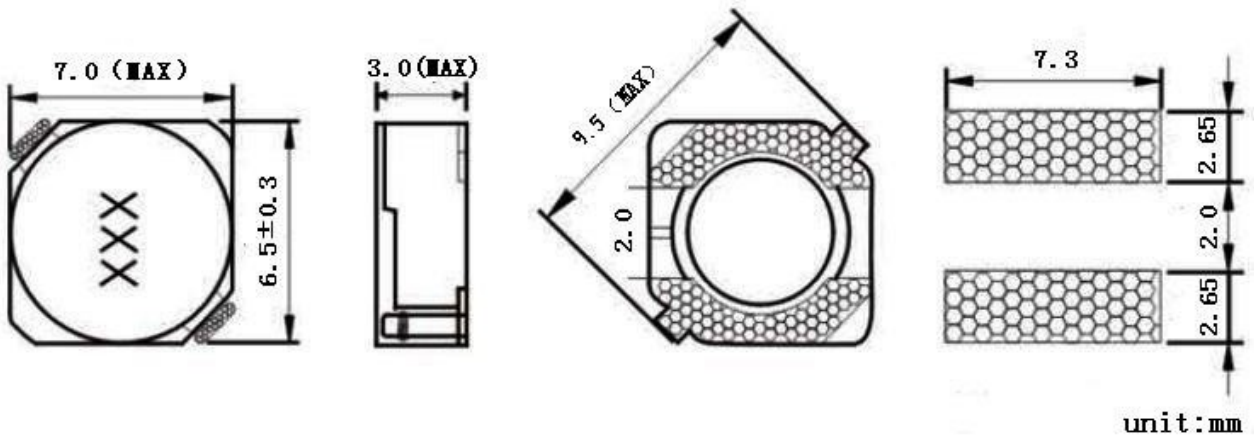
## Electrical Characteristics JS5D28 Series

Part NO	Test Condition	Inductance( $\mu$ H)	Tolerance(%)	DC Resistance( $\Omega$ )Max	Rated Current(A)Max
JS5D28-221M	100KHz/0.1V	220	$\pm 20$	0.89	0.28
JS5D28-331M	100KHz/0.1V	330	$\pm 20$	1.08	0.21
JS5D28-471M	100KHz/0.1V	470	$\pm 20$	1.25	0.18

Special inquiries besides the above common used types can be meet

## JS6D28

### SHAPE AND DIMENSIONS



## Electrical Characteristics JS6D28 Series

Part NO	Test Condition	Inductance( $\mu$ H)	Tolerance(%)	DC Resistance( $\Omega$ )Max	Rated Current(A)Max
JS6D28-1R0N	100KHz/0.1V	1.0	$\pm 30$	0.016	4.30
JS6D28-2R2N	100KHz/0.1V	2.2	$\pm 30$	0.020	3.50
JS6D28-3R3N	100KHz/0.1V	3.3	$\pm 30$	0.024	3.00
JS6D28-3R9N	100KHz/0.1V	3.9	$\pm 30$	0.027	2.60
JS6D28-4R7M	100KHz/0.1V	4.7	$\pm 20$	0.031	2.40
JS6D28-5R6M	100KHz/0.1V	5.6	$\pm 20$	0.035	2.25
JS6D28-6R8M	100KHz/0.1V	6.8	$\pm 20$	0.054	2.10
JS6D28-8R2M	100KHz/0.1V	8.2	$\pm 20$	0.058	1.85
JS6D28-100M	100KHz/0.1V	10.0	$\pm 20$	0.065	1.70

Special inquiries besides the above common used types can be meet

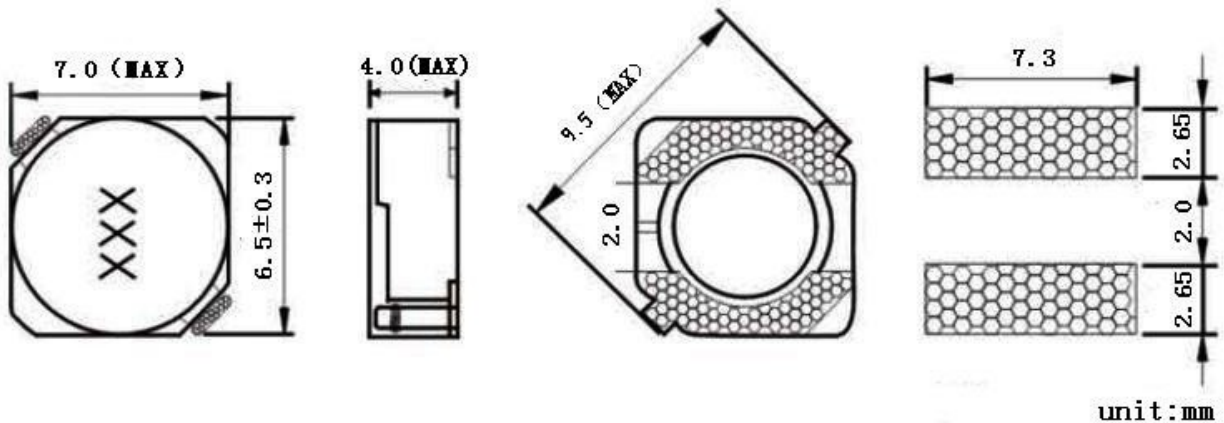
## Electrical Characteristics JS6D28 Series

Part NO	Test Condition	Inductance( $\mu$ H)	Tolerance(%)	DC Resistance( $\Omega$ )Max	Rated Current(A)Max
JS6D28-120M	100KHz/0.1V	12.0	$\pm 20$	0.070	1.55
JS6D28-150M	100KHz/0.1V	15.0	$\pm 20$	0.084	1.40
JS6D28-180M	100KHz/0.1V	18.0	$\pm 20$	0.095	1.32
JS6D28-220M	100KHz/0.1V	22.0	$\pm 20$	0.128	1.20
JS6D28-270M	100KHz/0.1V	27.0	$\pm 20$	0.142	1.05
JS6D28-330M	100KHz/0.1V	33.0	$\pm 20$	0.165	0.97
JS6D28-390M	100KHz/0.1V	39.0	$\pm 20$	0.210	0.86
JS6D28-470M	100KHz/0.1V	47.0	$\pm 20$	0.238	0.80
JS6D28-560M	100KHz/0.1V	56.0	$\pm 20$	0.227	0.73
JS6D28-680M	100KHz/0.1V	68.0	$\pm 20$	0.304	0.65
JS6D28-820M	100KHz/0.1V	82.0	$\pm 20$	0.390	0.60
JS6D28-101M	100KHz/0.1V	100	$\pm 20$	0.535	0.54
JS6D28-151M	100KHz/0.1V	150	$\pm 20$	0.595	0.425
JS6D28-221M	100KHz/0.1V	220	$\pm 20$	0.683	0.335
JS6D28-331M	100KHz/0.1V	330	$\pm 20$	0.804	0.29
JS6D28-471M	100KHz/0.1V	470	$\pm 20$	1.035	0.25

Special inquiries besides the above common used types can be meet

## JS6D38

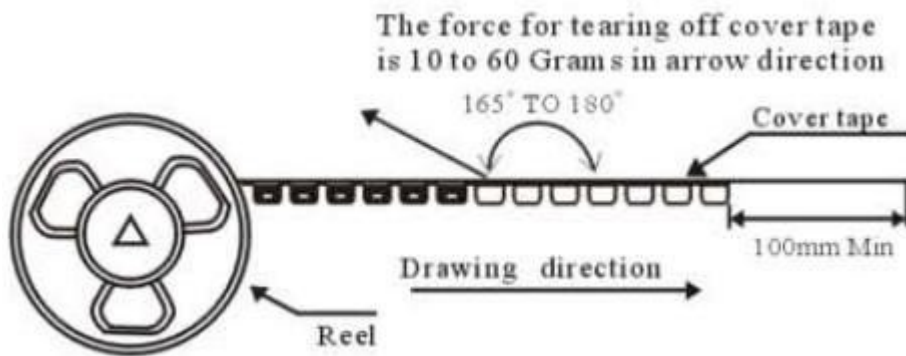
### SHAPE AND DIMENSIONS



## Electrical Characteristics JS6D38 Series

Part NO	Test Condition	Inductance( $\mu$ H)	Tolerance(%)	DC Resistance( $\Omega$ )Max	Rated Current(A)Max
JS6D38-1R0N	100KHz/0.1V	1.0	$\pm$ 30	0.010	4.80
JS6D38-2R2N	100KHz/0.1V	2.2	$\pm$ 30	0.015	4.30
JS6D38-3R3N	100KHz/0.1V	3.3	$\pm$ 30	0.020	3.50
JS6D38-4R7M	100KHz/0.1V	4.7	$\pm$ 20	0.024	2.90
JS6D38-6R8M	100KHz/0.1V	6.8	$\pm$ 20	0.027	2.50
JS6D38-7R4M	100KHz/0.1V	7.4	$\pm$ 20	0.031	2.30
JS6D38-8R2M	100KHz/0.1V	8.2	$\pm$ 20	0.034	2.20
JS6D38-100M	100KHz/0.1V	10.0	$\pm$ 20	0.038	2.00
JS6D38-120M	100KHz/0.1V	12.0	$\pm$ 20	0.053	1.70
JS6D38-150M	100KHz/0.1V	15.0	$\pm$ 20	0.057	1.60
JS6D38-180M	100KHz/0.1V	18.0	$\pm$ 20	0.092	1.50
JS6D38-220M	100KHz/0.1V	22.0	$\pm$ 20	0.096	1.30
JS6D38-270M	100KHz/0.1V	27.0	$\pm$ 20	0.109	1.20
JS6D38-330M	100KHz/0.1V	33.0	$\pm$ 20	0.124	1.10
JS6D38-390M	100KHz/0.1V	39.0	$\pm$ 20	0.138	1.00
JS6D38-470M	100KHz/0.1V	47.0	$\pm$ 20	0.155	0.95
JS6D38-560M	100KHz/0.1V	56.0	$\pm$ 20	0.202	0.85
JS6D38-680M	100KHz/0.1V	68.0	$\pm$ 20	0.234	0.75
JS6D38-820M	100KHz/0.1V	82.0	$\pm$ 20	0.324	0.70
JS6D38-101M	100KHz/0.1V	100	$\pm$ 20	0.558	0.65
JS6D38-121M	100KHz/0.1V	120	$\pm$ 20	0.470	0.53
JS6D38-151M	100KHz/0.1V	150	$\pm$ 20	0.580	0.50
JS6D38-181M	100KHz/0.1V	180	$\pm$ 20	0.690	0.45
JS6D38-221M	100KHz/0.1V	220	$\pm$ 20	0.890	0.43
JS6D38-271M	100KHz/0.1V	270	$\pm$ 20	1.290	0.40
JS6D38-331M	100KHz/0.1V	330	$\pm$ 20	1.700	0.37
JS6D38-391M	100KHz/0.1V	390	$\pm$ 20	1.750	0.34
JS6D38-471M	100KHz/0.1V	470	$\pm$ 20	2.200	0.32
JS6D38-561M	100KHz/0.1V	560	$\pm$ 20	2.850	0.29
JS6D38-681M	100KHz/0.1V	680	$\pm$ 20	3.200	0.25
JS6D38-821M	100KHz/0.1V	820	$\pm$ 20	4.050	0.22
JS6D38-102M	100KHz/0.1V	1000	$\pm$ 20	5.700	0.20

Special inquiries besides the above common used types can be meet



TYPE	QUANTITIES PCS/reel	TYPE	QUANTITIES PCS/reel
JS4D11	3000	JS5D18	2000
JS4D16	3000	JS5D28	2000
JS4D18	3000	JS6D28	1500
JS4D28	2000	JS6D38	1000