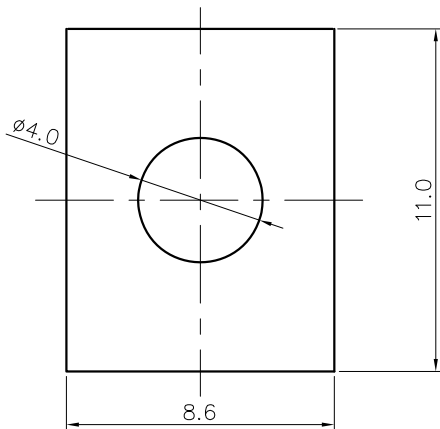
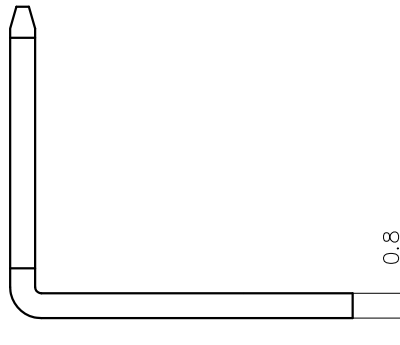
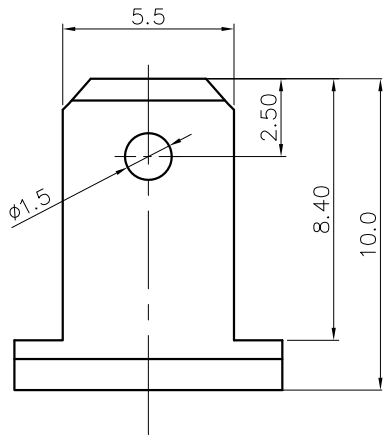


REVISION RECORD				
REV	ECN	DESCRIPTION	DRFT	DATE



NOTES:
 1.Dimension shall be interpreted per ASME Y14.5-2009
 2.Undimensioned tolerances:

Pitch range in mm		Nominal dimension range in mm				Tolerances			
TO	Over TO	TO	Over TO	Over TO	Over TO	0.1/10			
6	6 TO 10	10 TO 24	30 TO 60	60 TO 100	100 TO 150		<		
	±0.15	±0.20	±0.30	±0.30	±0.50	±0.70	±1.00	±1.30	±2'

3.RoHS Compliance
 K7-00A (H)
 (Series No.) (RoHS) (Standard)

DETACHED LISTS	PART NO.: /	宁波高松电子有限公司 NINGBO DEGSON ELECTRICAL CO., LTD		
	APPD:	NAME: K7-00A(H)		
	CHKD:	TITLE: CUSTOMER DRAWING		
	DRFT:	DRAWING NO.: /		REV: /
 THIRD ANGLE PROJECTION		MM (INCH)	DO NOT SCALE DRAWING	SCALE: 1:1