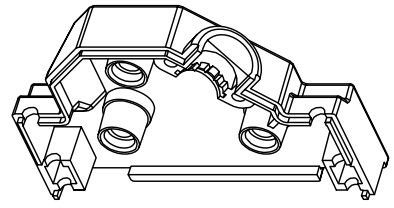
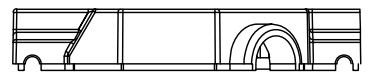
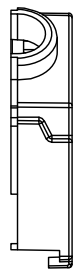


1
RoHS Compliance

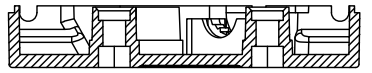
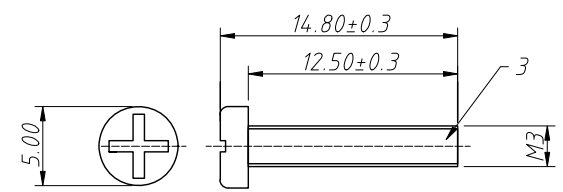
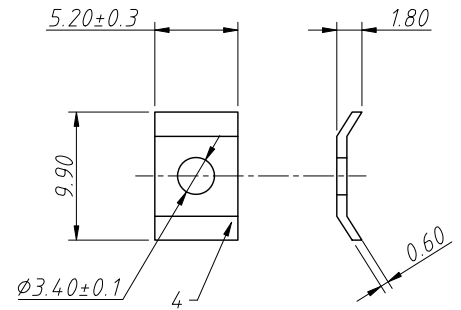
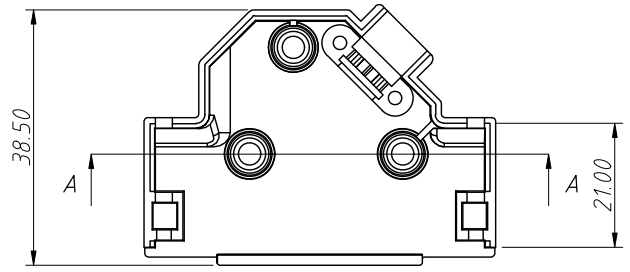
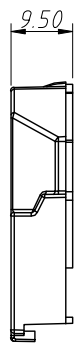
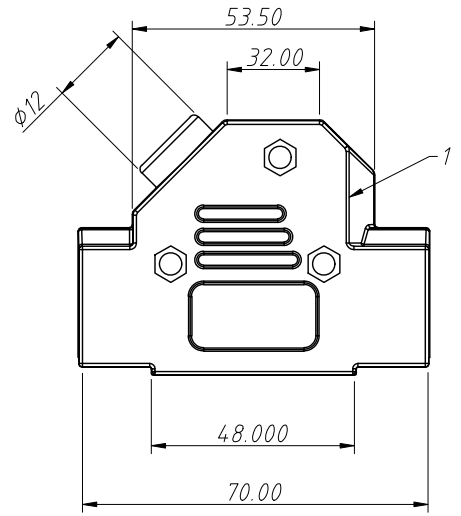
7		8		
REV	SYM	Revision Record	Appr.	Date
V0	KLS01052	New Version Release	Song	2024-11-06



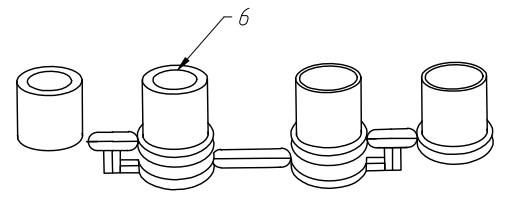
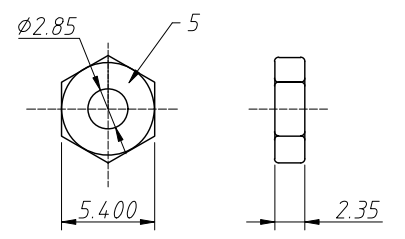
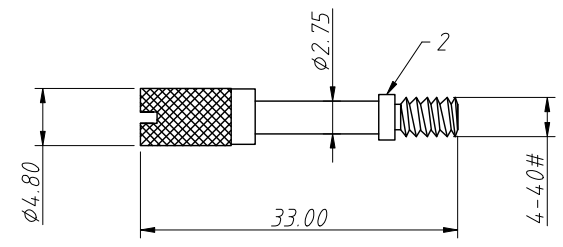
Outlet aperture: 12.00mm



- Notes:
- 1.45° 37P Plastic Plating Shell, Ni Plating ,OD12mm
 - 2.Screw:#4-40 UNC, L=33.00mm,SPCC,Ni Plating
 - 3.Screw:M3×14.80,Ni Plating
 - 4.SQ Gasket:0.45mm,Ni Plating
 - 5.Screw:M3 Scrwe Cap Ferrum/Ni
 - 6.Plastic Wire Clip:PVC,OD5-10mm
 - 7.Unmark Tolerance±0.3mm



SECTION A-A



ANGLE TOLERANCE	PROJECTION	Description:		
±3°		D-Sub Connector, Gray, With Screws		
GENERAL TOLERANCE	UNITS	mm	KLS P/N:	L-KLS1-DBX-37-G
.x ±0.30	SHEET SIZE	A4		
.xx ±0.20	Draw:	Song	2024-11-06	NingBo KLS ELECTRONIC CO.,L TD.
.xxx ±0.10	Check:	Daniel	2024-11-06	