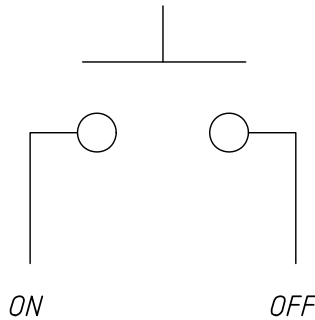
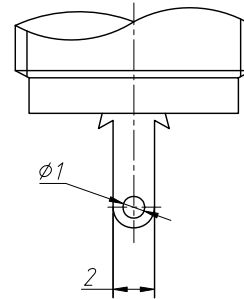
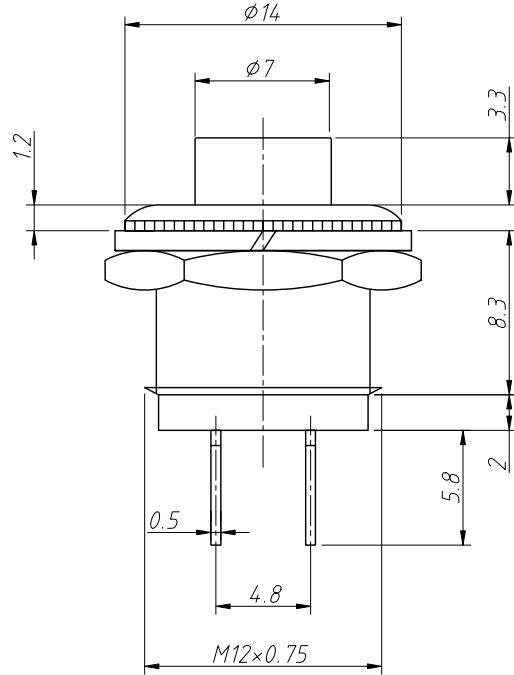
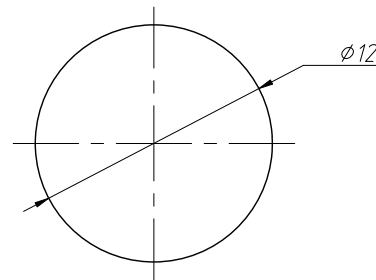


1
RoHS Compliance

6	7	8
REV	SYM	Revision Record
VO	KLS07029	New Version Release
Appr.	Song	Date
		2023-11-30



Circuitry



Mounting

Notes:

Rating: 3A 125V AC: 1A 250V AC

Contact Resistance: 20 mΩ Max

Insulator Resistance: 500 MΩ Min At 500V DC

Dielectric Strength: 1 Minute 1000V AC

Operating Temperature: -25°C ~ +85°C

Electrical Life: 50000 Cycles

Order Information

L-KLS7-PBS-36 B-X

RoHS

Push Button

Switch Series

Function:

B=ON-OFF

Button Color:

R=Red G=Green B=Black

ANGLE TOLERANCE	PROJECTION	Description:	Push-Button Switch
±3°			
GENERAL TOLERANCE	UNITS	mm	KLS P/N:
x.x ±0.30	SHEET SIZE	A4	L-KLS7-PBS-36B-X
x.xx ±0.20	Draw:	Song	2023-11-30
x.xxx ±0.10	Check:	Daniel	2023-11-30



NingBo KLS ELECTRONIC CO.,L TD.