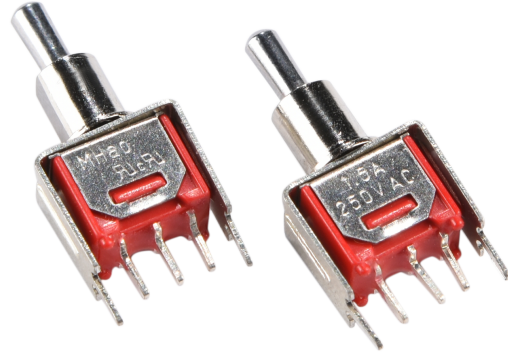


Toggle switches

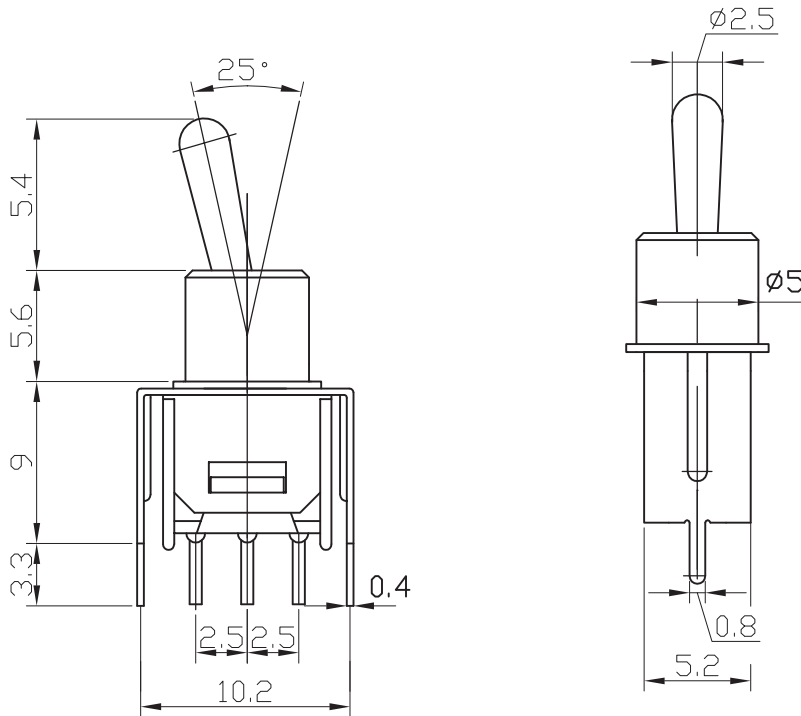
L-KLS7-SMS-103-C2T Sub-Miniature Toggle Switch

SPECIFICATIONS:

Rating: 3A 125VAC; 1.5A 250VAC
 Contact Resistance: 20mΩ max
 Insulation Resistance:500V DC 1000MΩ Min
 Dielectric Strength:1000V AC 1 Minute
 Operating Temperature:-25°C +85°C
 Electrical Life :10,000 cycles



Outline Drawing



ORDER INFORMATION

L-KLS7-SMS-103-C2T

