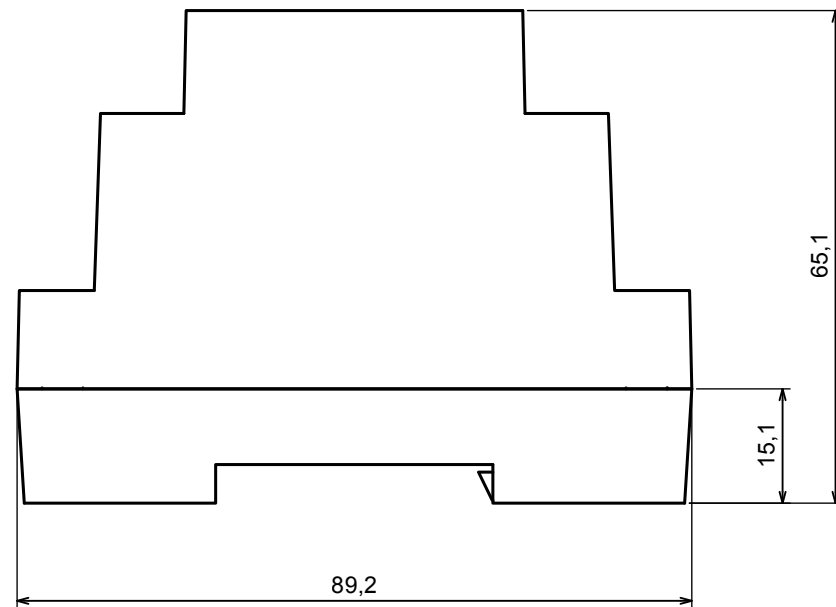
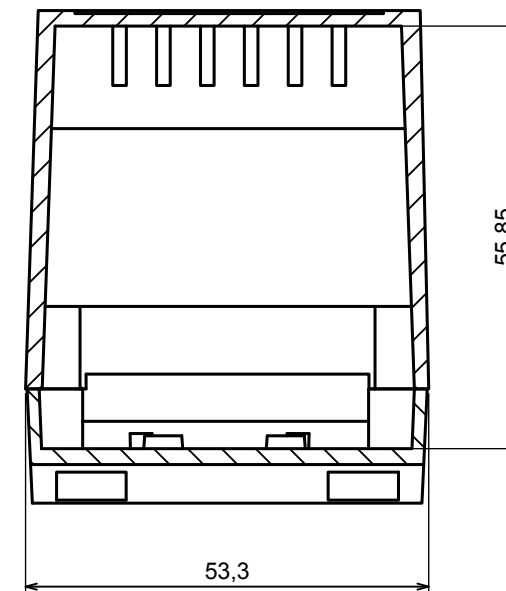


A |



A |

A-A



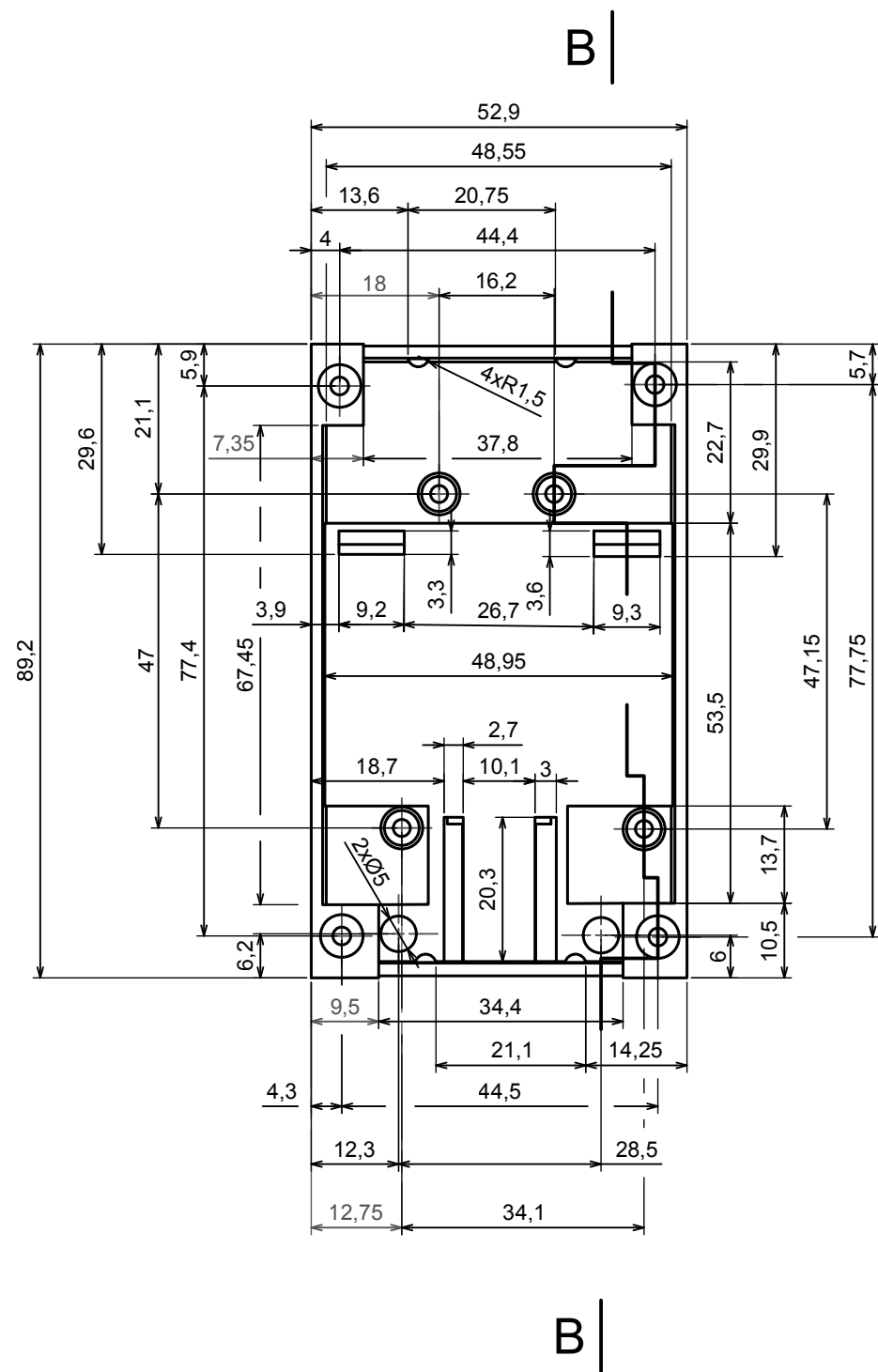
All rights reserved, Copyright Kradox 2017

Product model Enclosure Z102 - Assembly

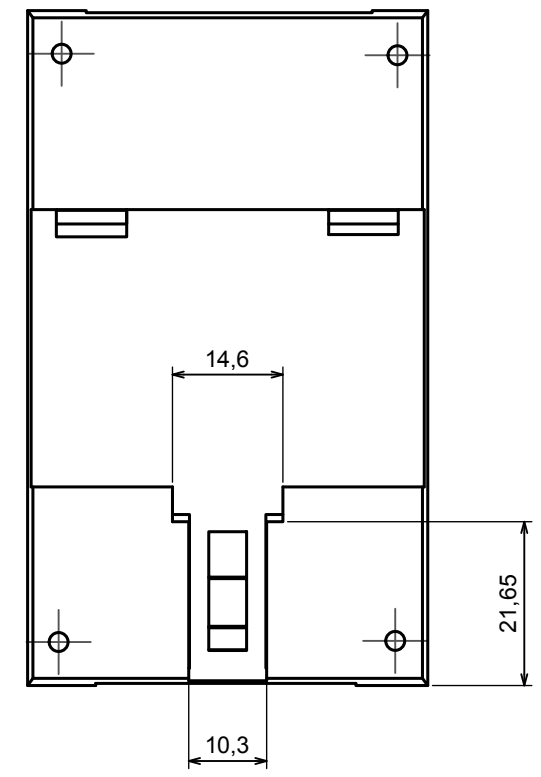
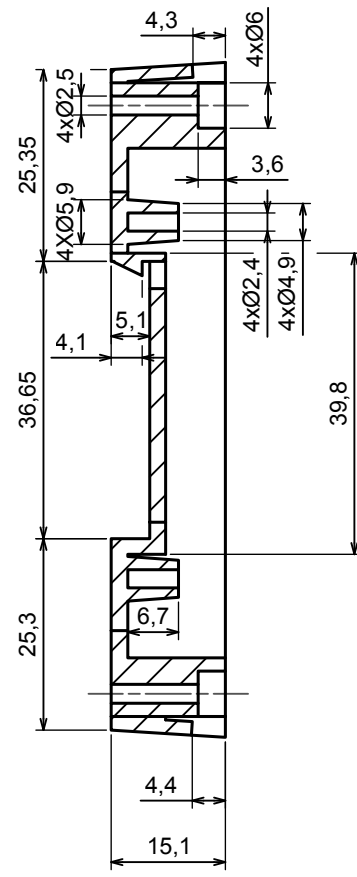
Format: A3 Material: PS, ABS


Scale 1:1 Tolerance: +/- 0.5

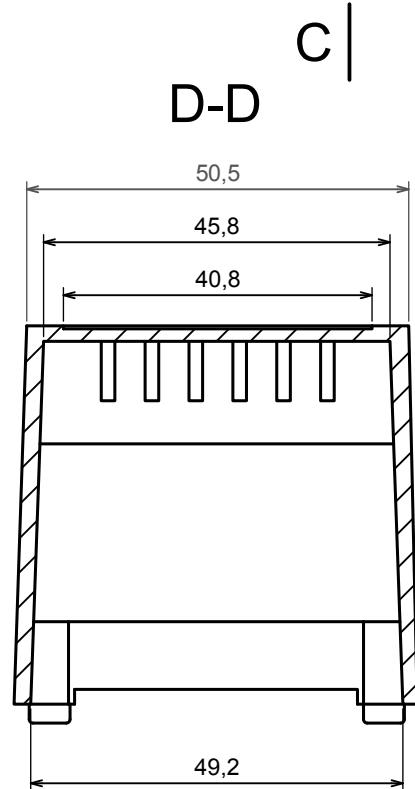
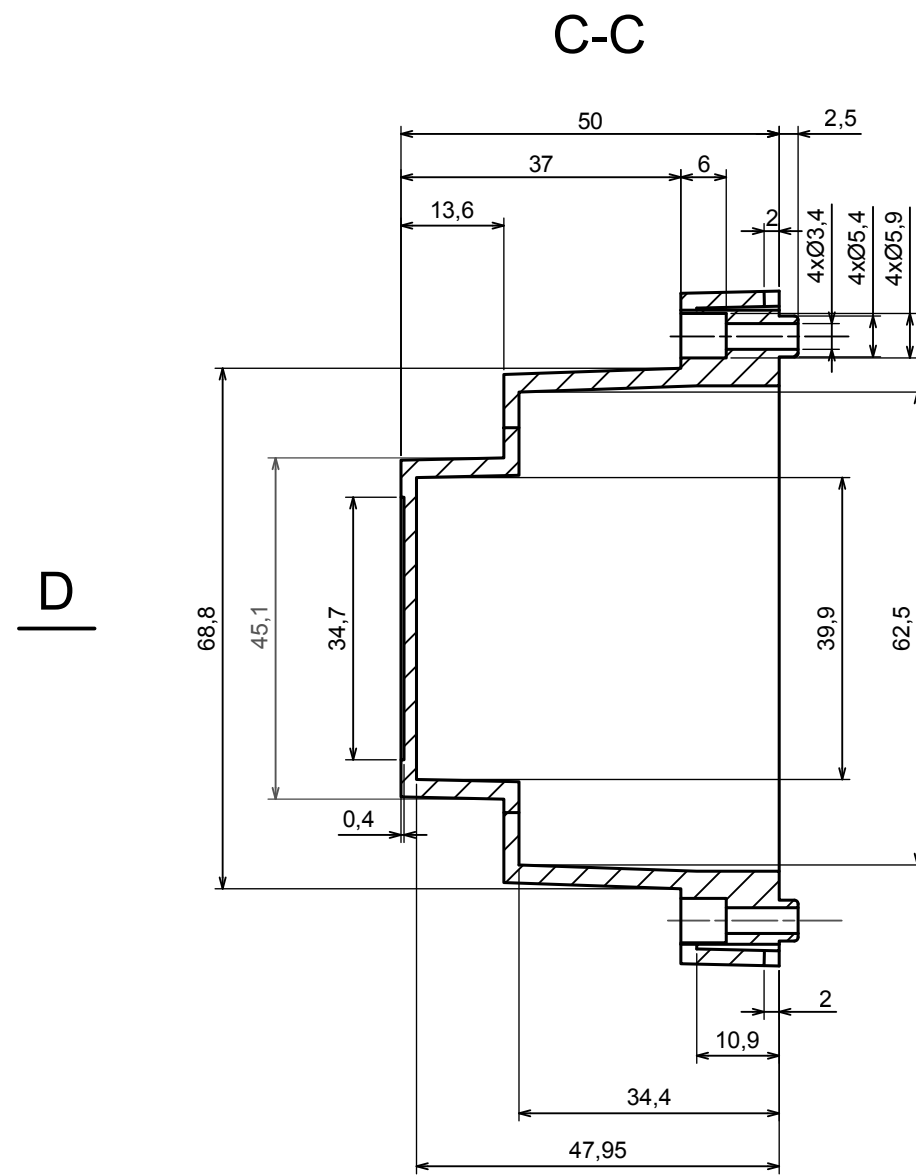
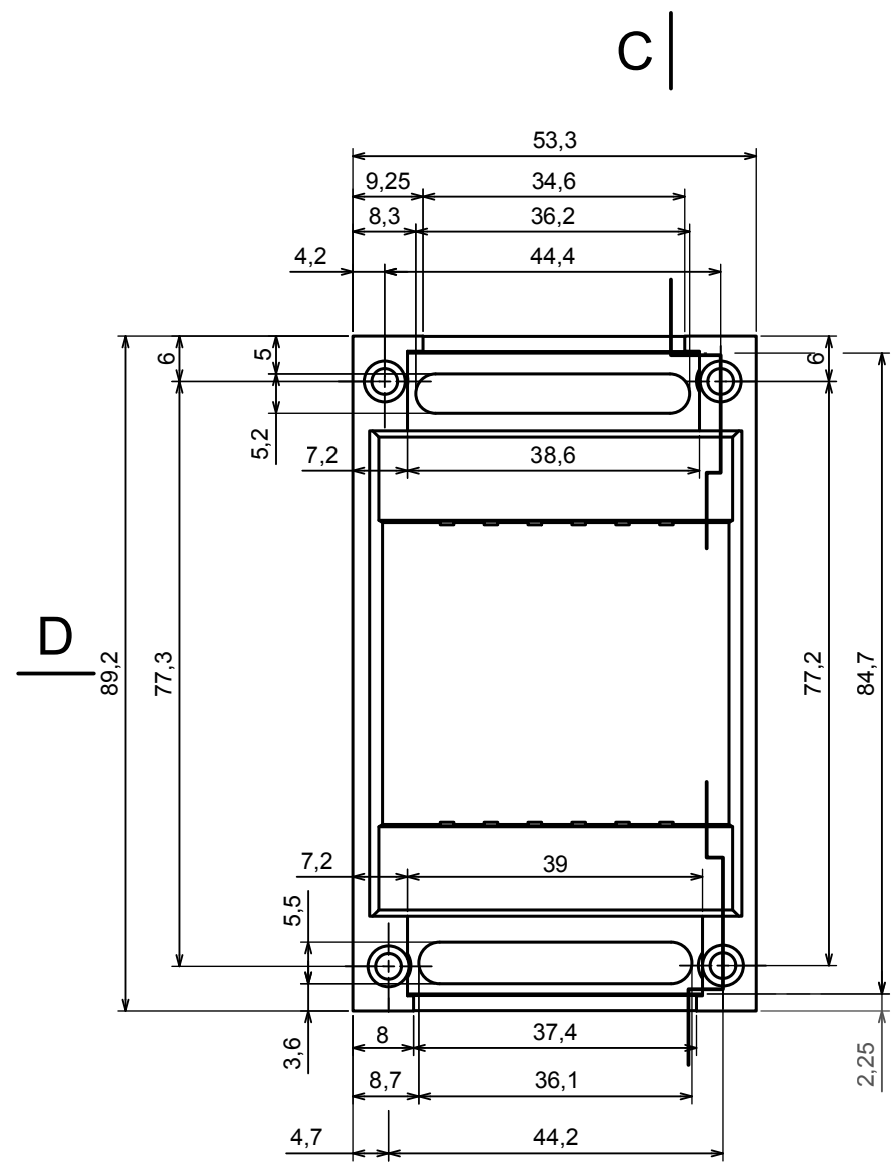





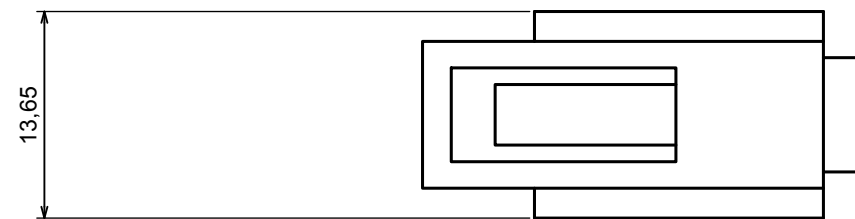
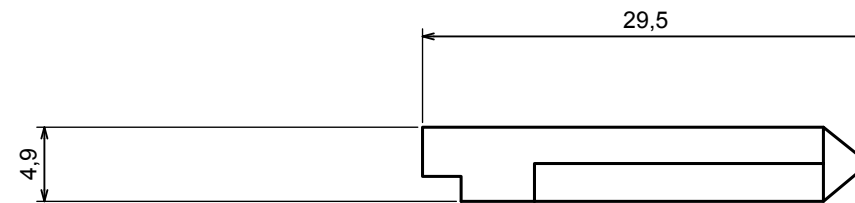
B-B




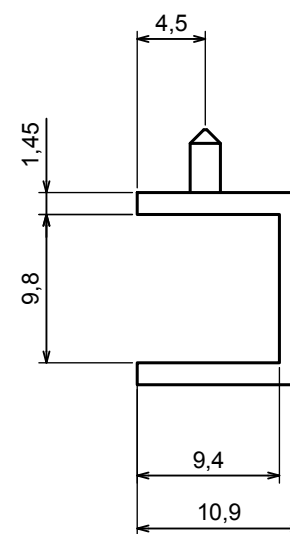
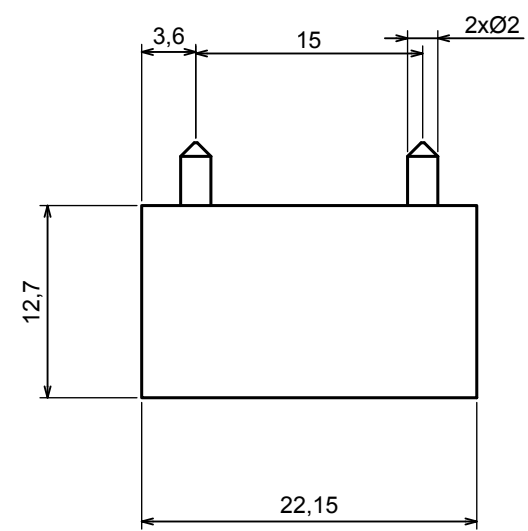
All rights reserved, Copyright Kradox 2017		
Product model	Enclosure Z102 - Base	
Format: A3	Material: PS, ABS	
Scale 1:1	Tolerance: +/- 0.5	



All rights reserved, Copyright Kradox 2017		
Product model	Enclosure Z102 - Cover	
Format: A3	Material: PS, ABS	
Scale 1:1	Tolerance: +/- 0.5	



All rights reserved, Copyright Kradex 2017		
Product model	Enclosure Z102 - Hook	
Format: A3	Material: PS, ABS	
Scale 2:1	Tolerance: +/- 0.5	



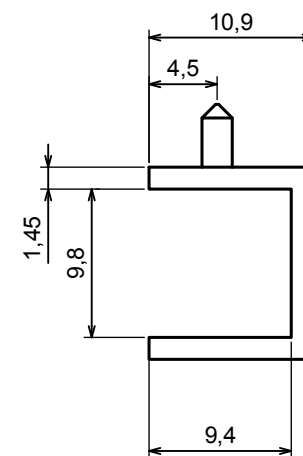
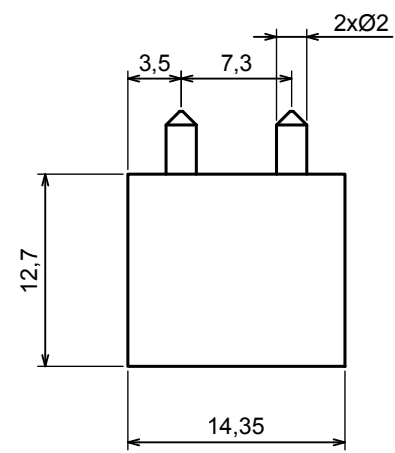
All rights reserved, Copyright Kradex 2017

Product model Enclosure Z102 - Big plug

Format: A3 Material: PS, ABS

Scale 2:1 Tolerance: +/- 0.5





All rights reserved, Copyright Kradex 2017

Product model Enclosure Z102 - Small plug

Format: A3 Material: PS, ABS

Scale 2:1 Tolerance: +/- 0.5

