
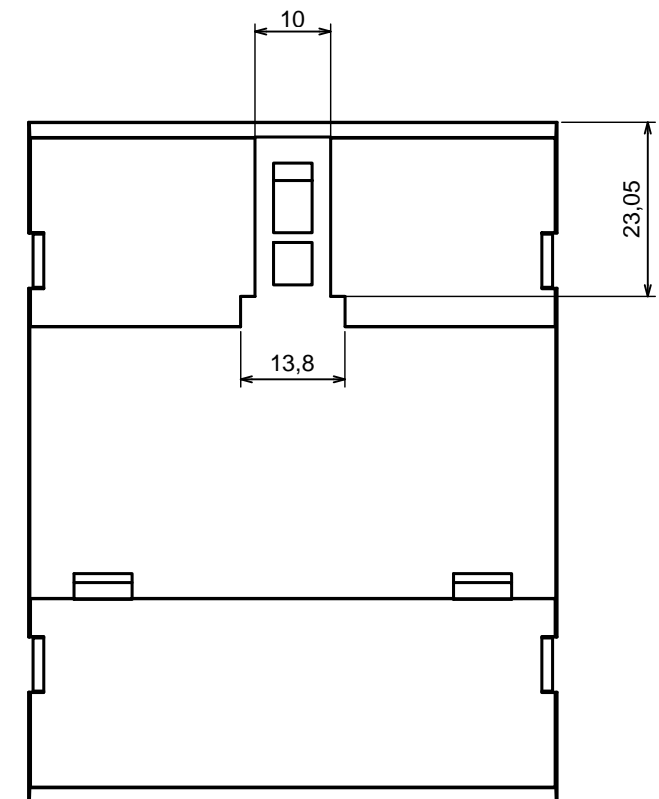
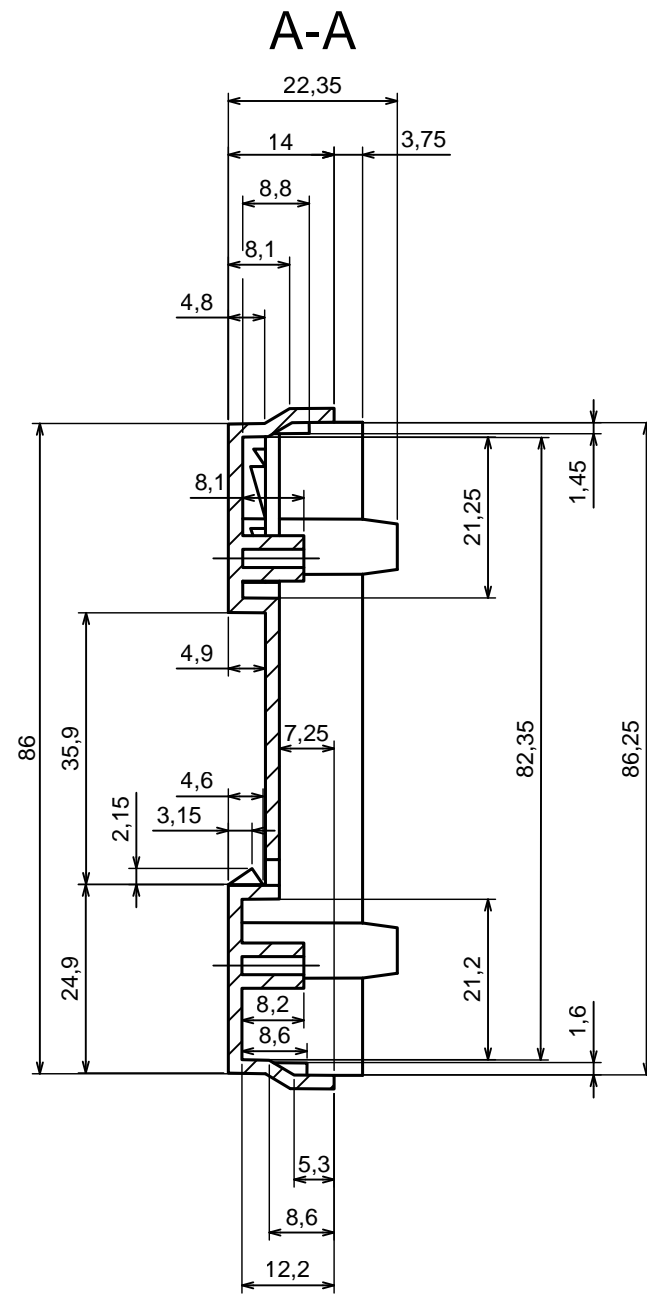
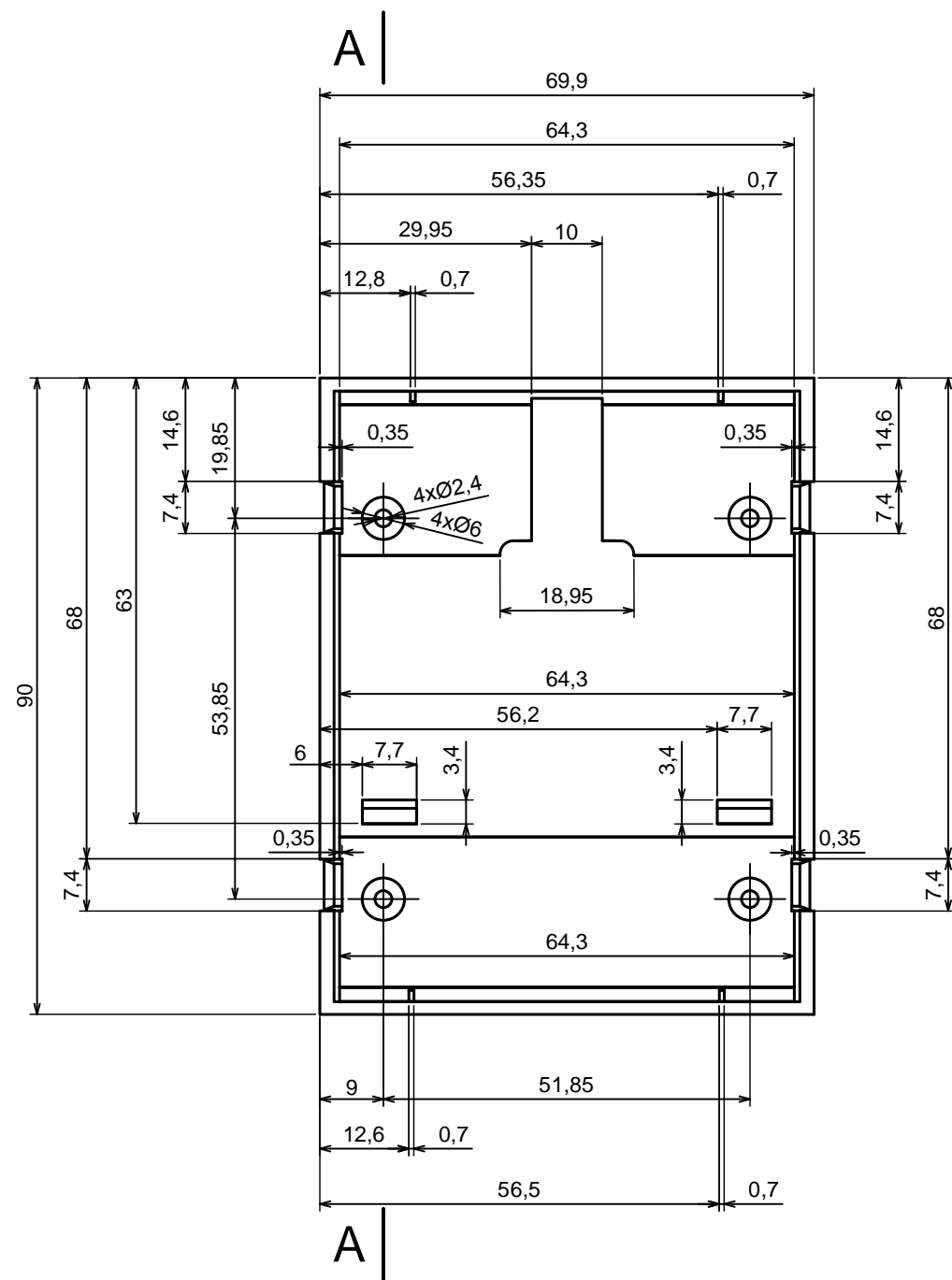


All rights reserved, Copyright Kradox 2016		
Product model	Enclosure Z108 - assembly	
Format: A3	Material: PS, ABS	
Scale 1:1	Tolerance: +/- 0.5	



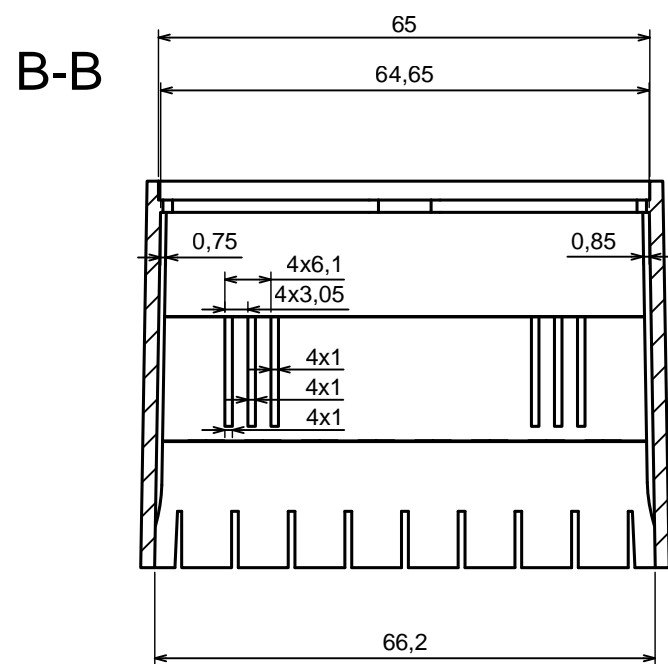
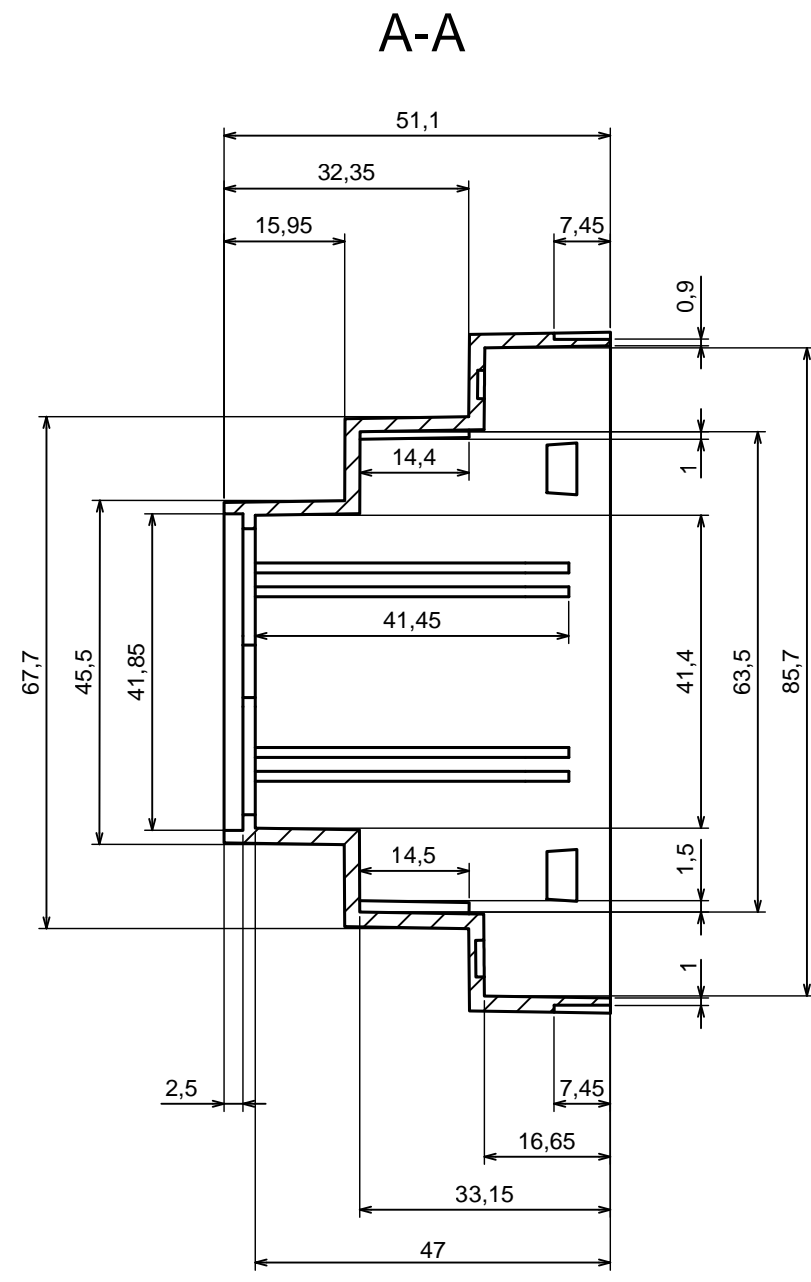
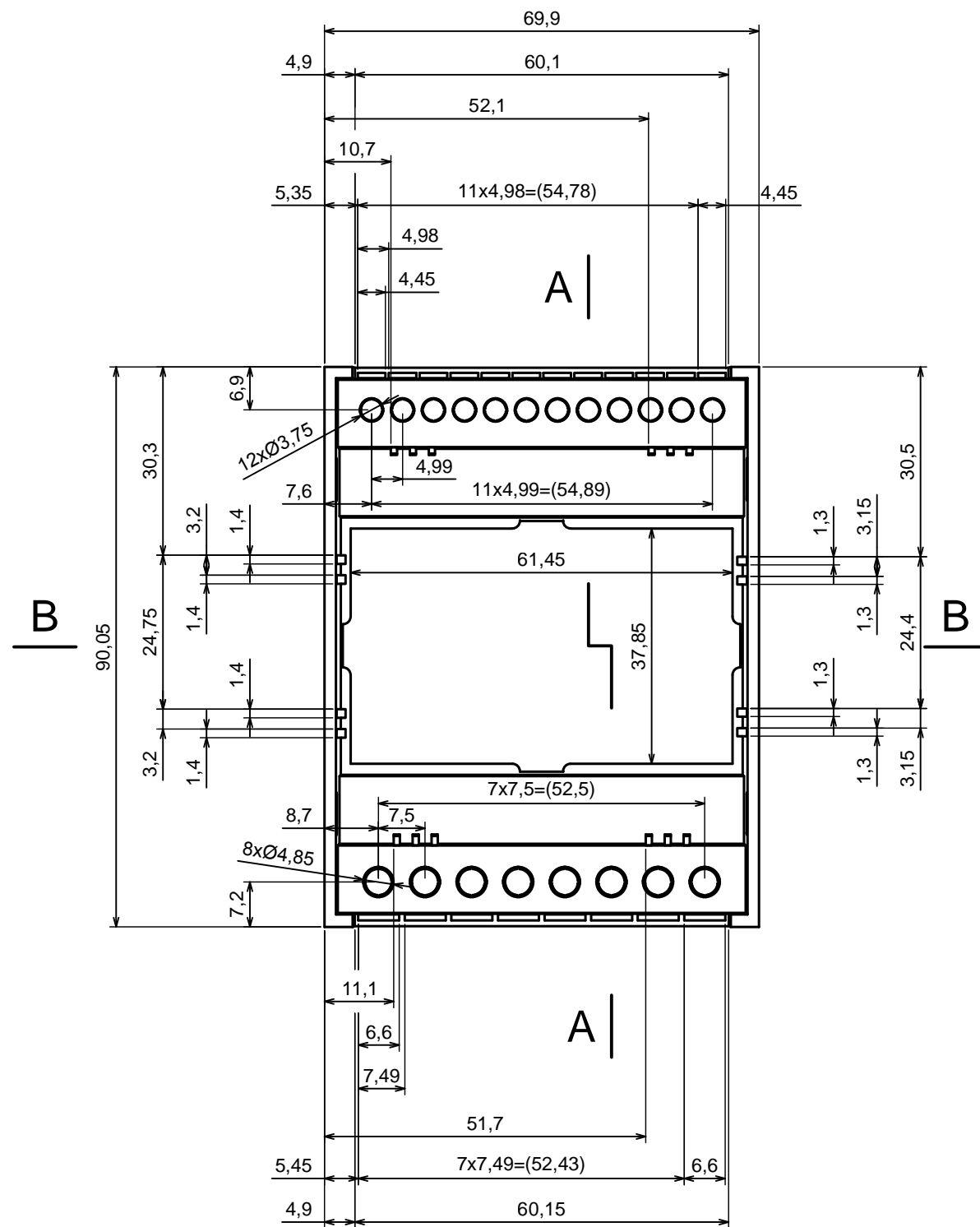
All rights reserved, Copyright Kradox 2015

Product model Enclosure Z108 - base

Format: A3 Material: PS, ABS

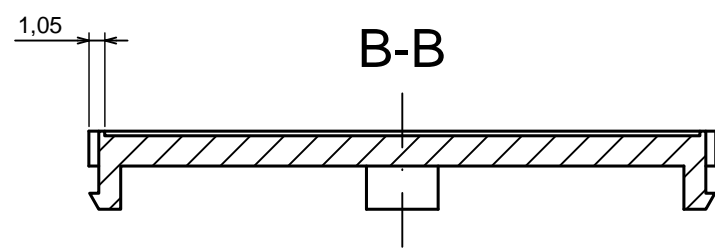
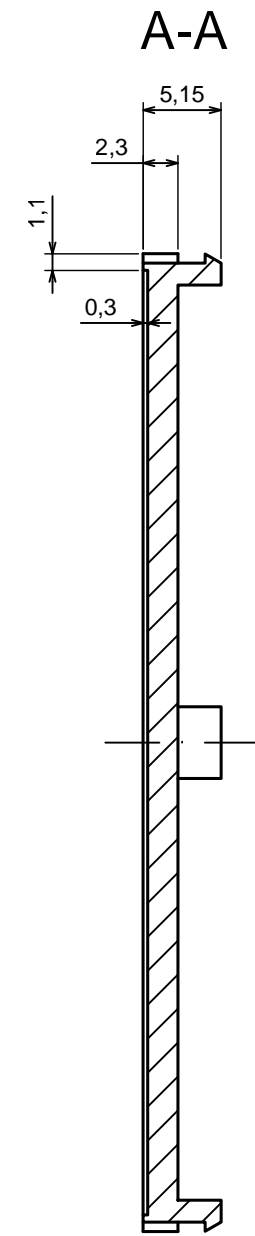
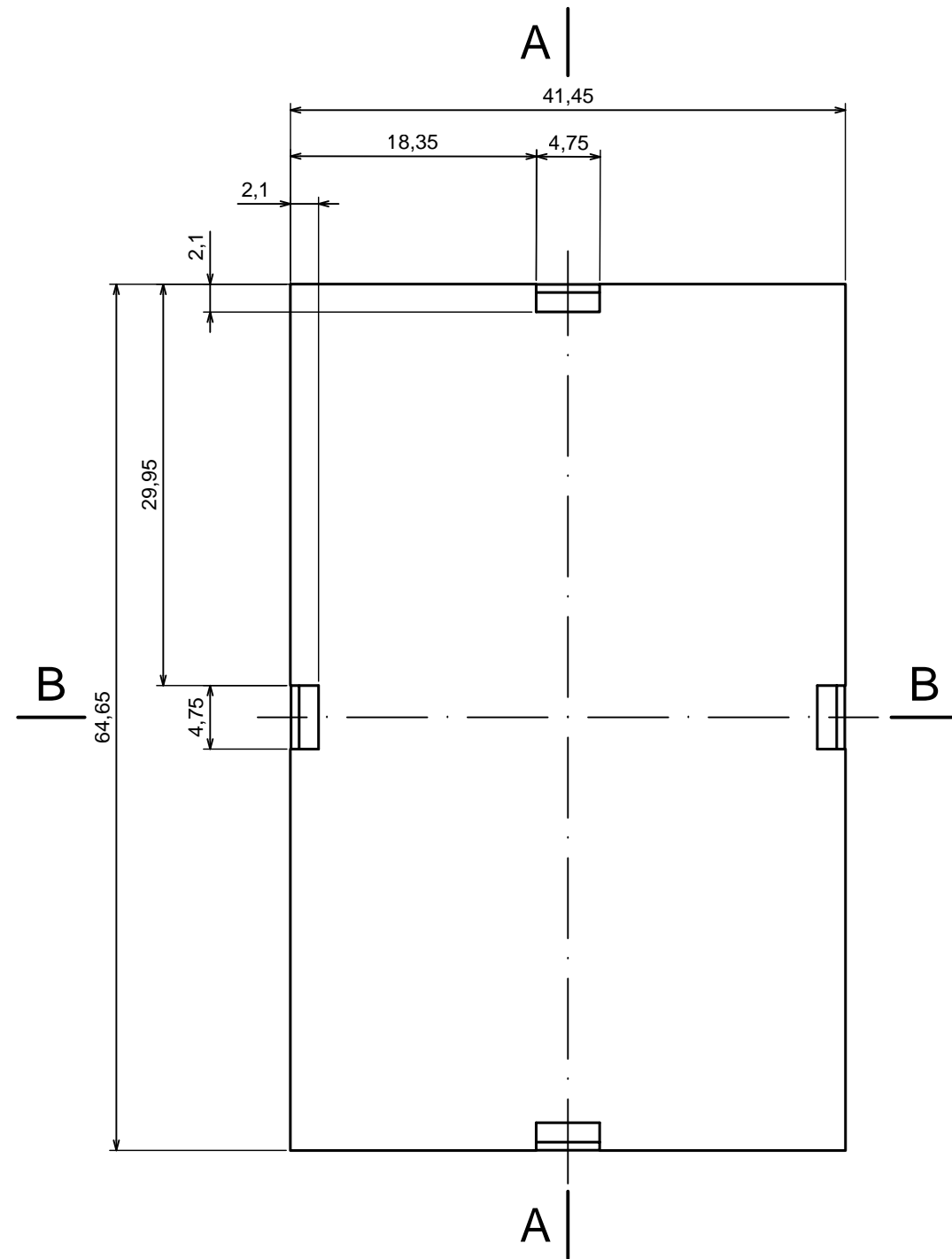
Scale 1:1 Tolerance: +/- 0.5





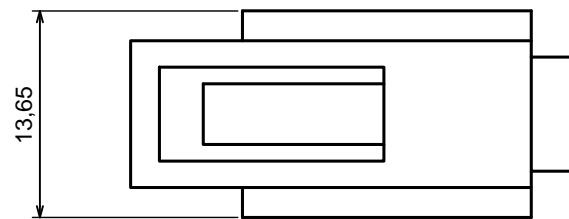
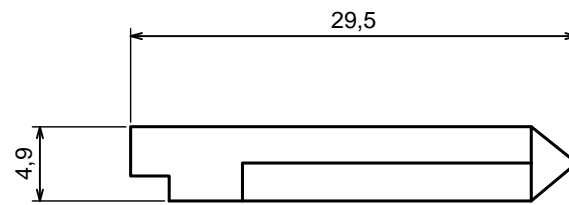
All rights reserved, Copyright Kradox 2016	
Product model	Enclosure Z108 - cover
Format: A3	Material: PS, ABS
Scale 1:1	Tolerance: +/- 0.5





All rights reserved, Copyright Kradox 2016	
Product model	Enclosure Z108 - filter
Format: A3	Material: PS, ABS
Scale 2:1	Tolerance: +/- 0.5





All rights reserved, Copyright Kradex 2016

Product model Enclosure Z110 - hook

Format: A3 Material: PS, ABS

Scale 2:1 Tolerance: +/- 0.5

