
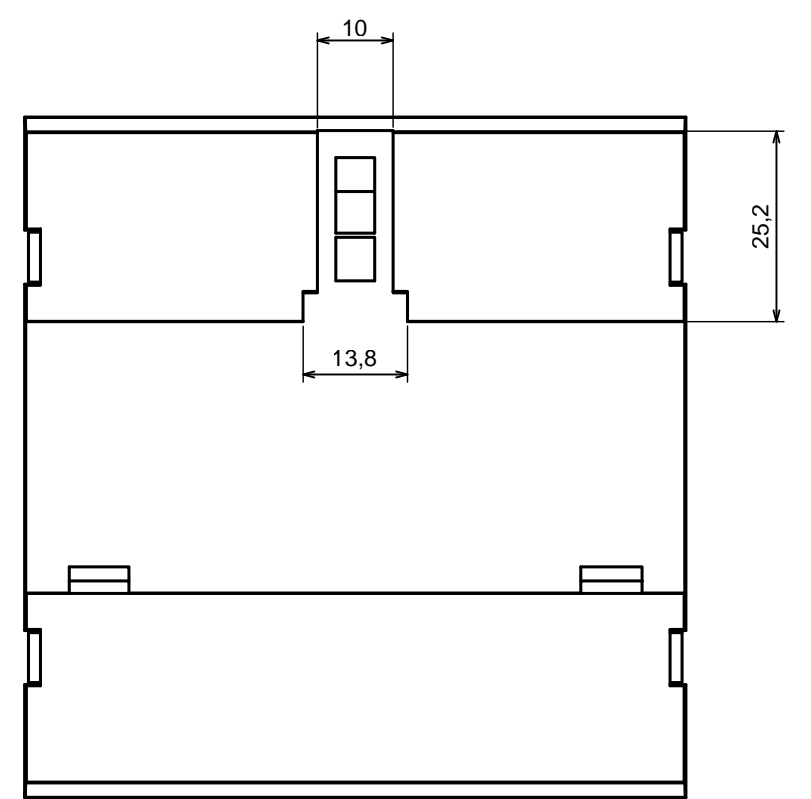
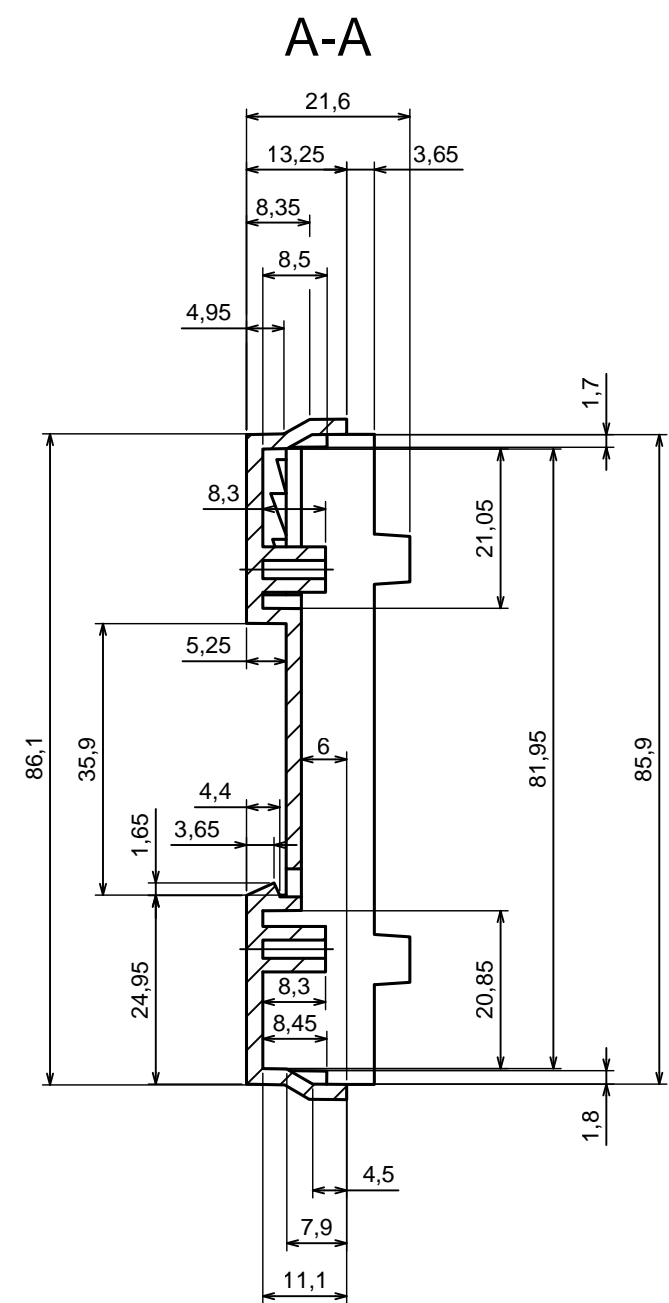
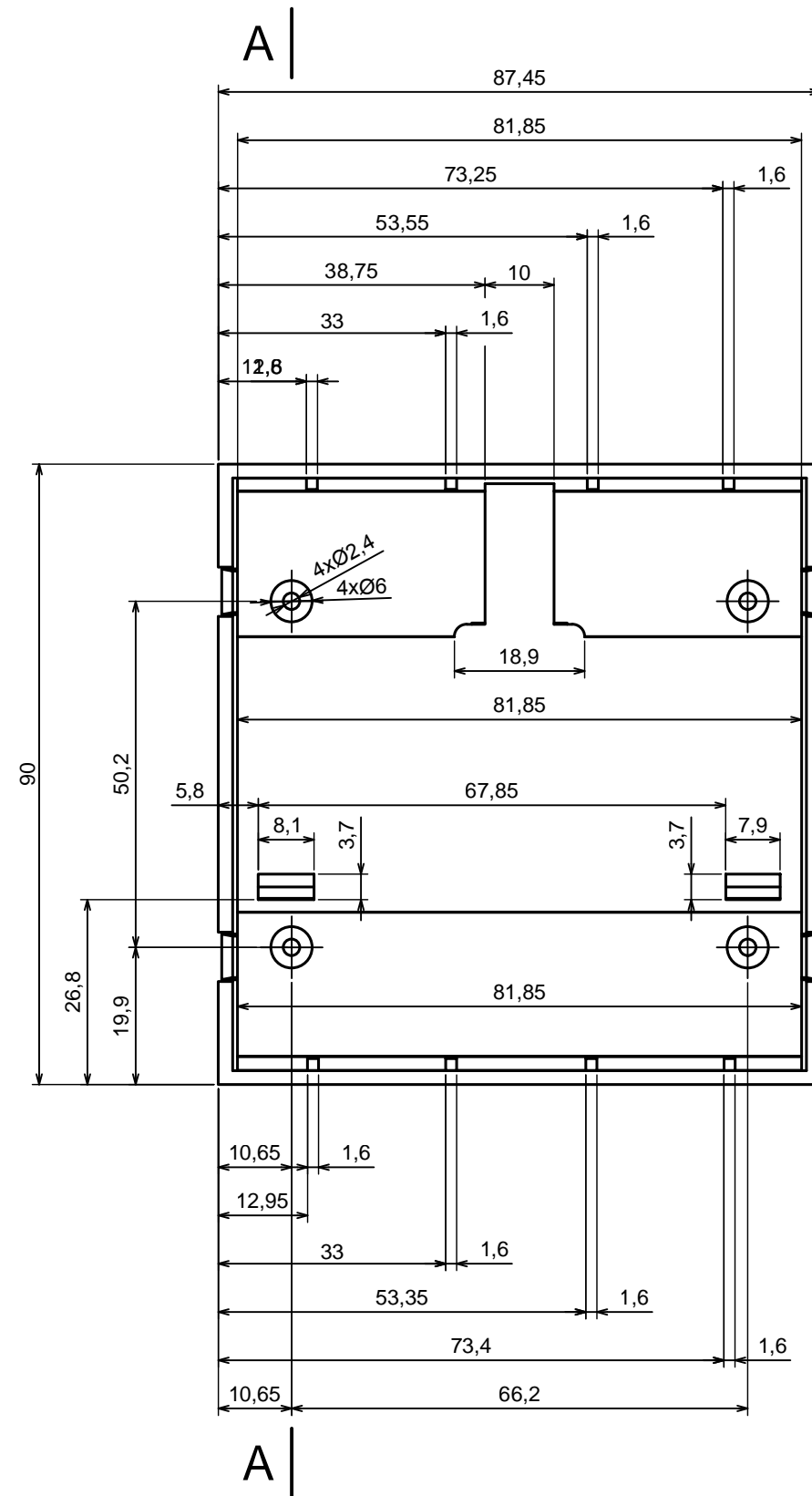

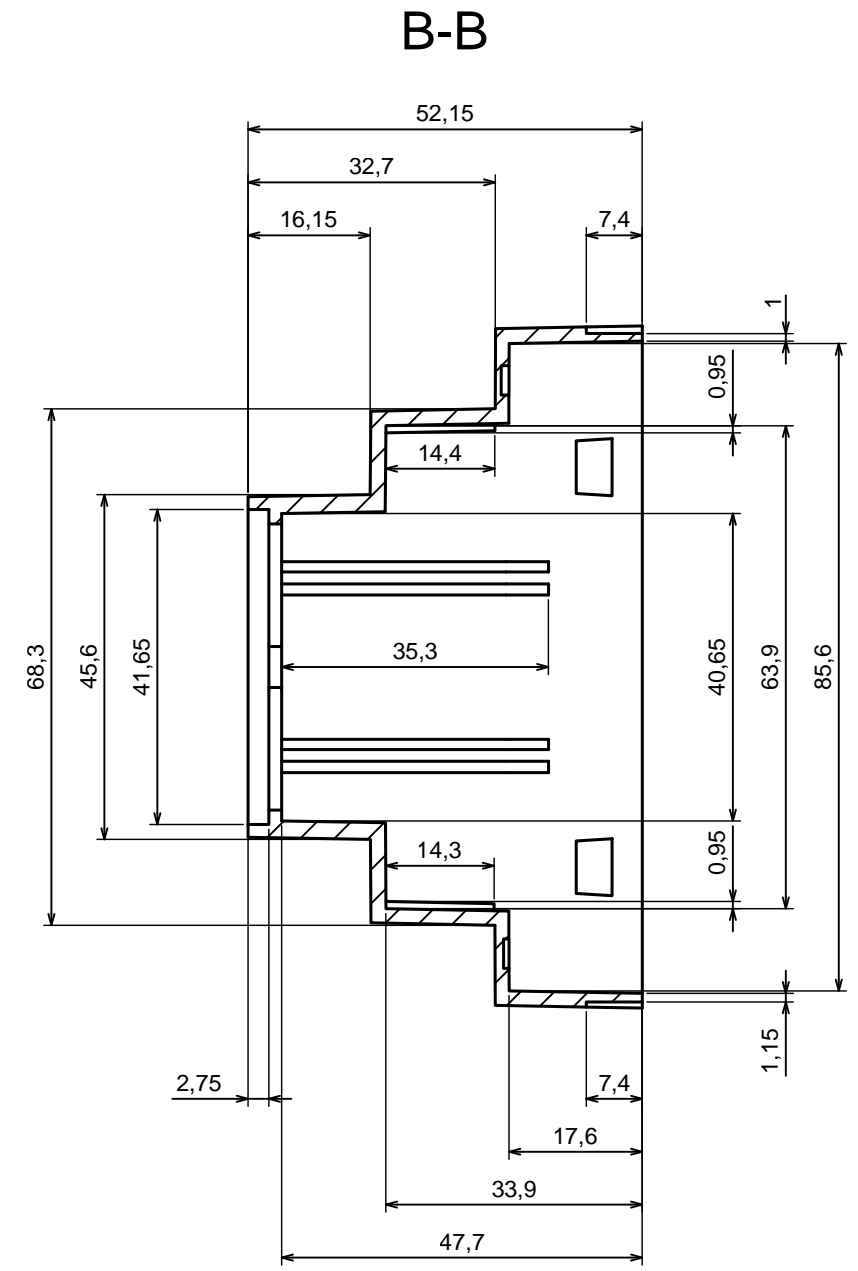
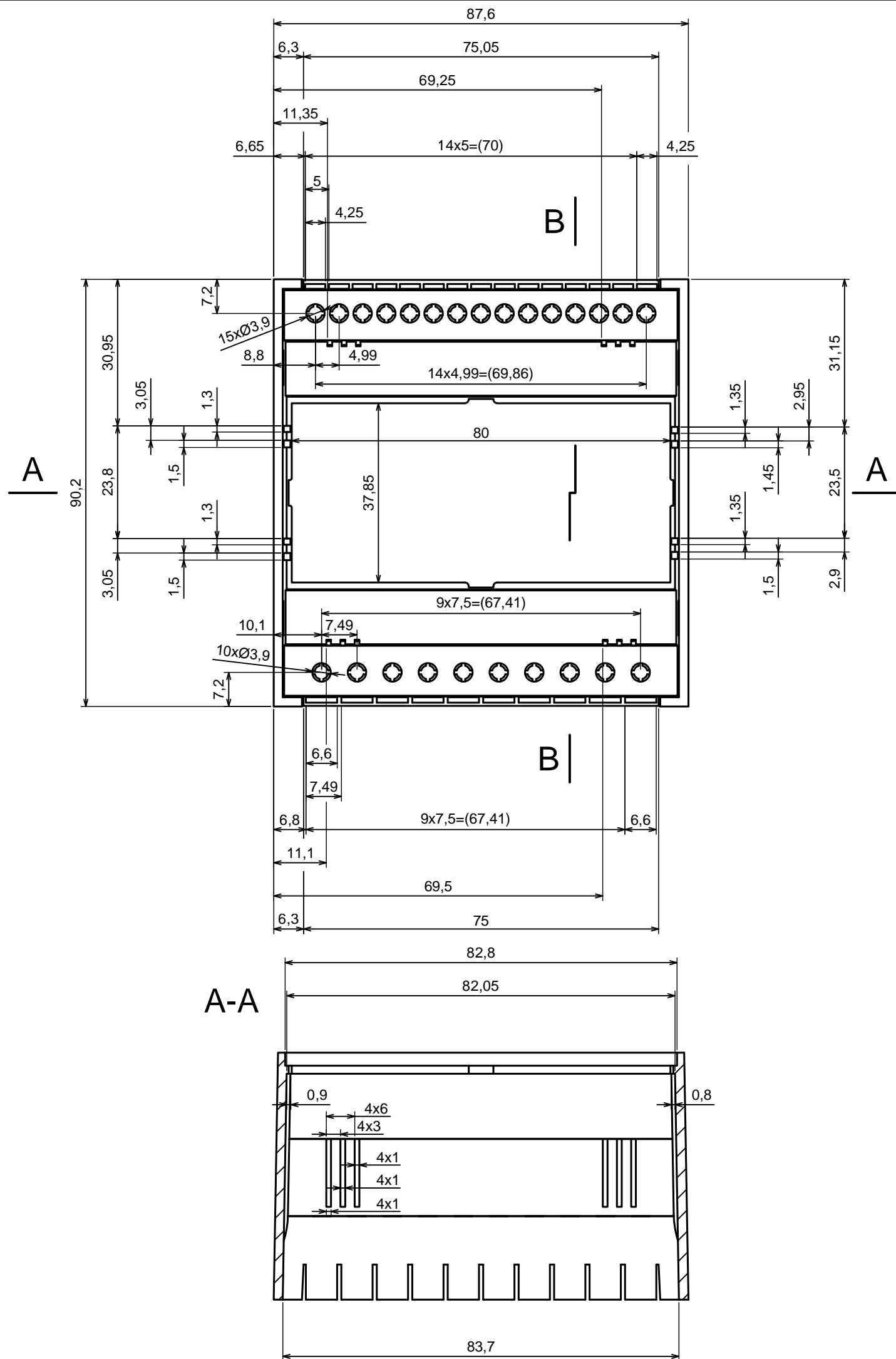


All rights reserved, Copyright Kradox 2016		
Product model	Enclosure Z109 - assembly	
Format: A3	Material: PS, ABS	
Scale 1:1	Tolerance: +/- 0.5	

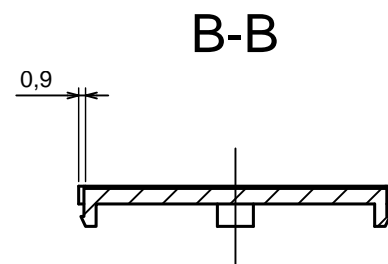
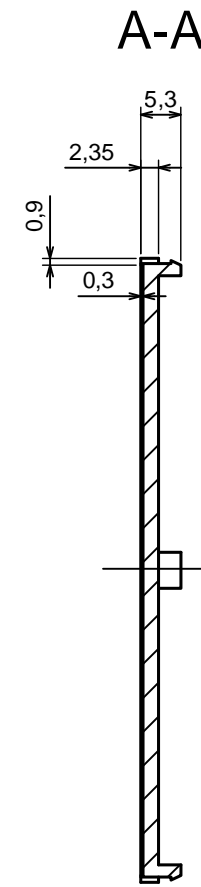
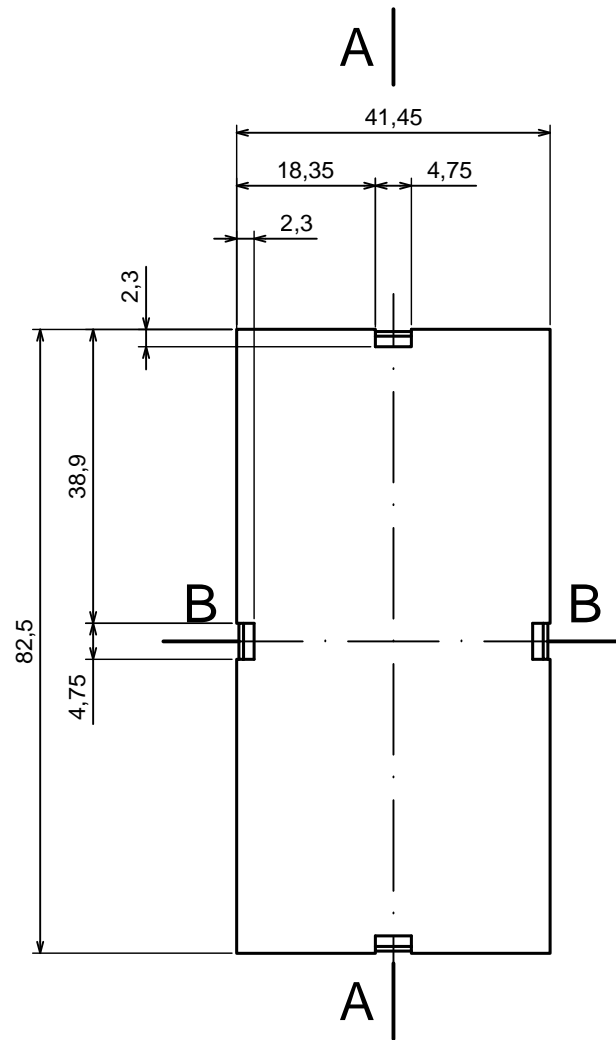


All rights reserved, Copyright Kradex 2016		
Product model	Enclosure Z109 - base	
Format: A3	Material: PS, ABS	
Scale 1:1	Tolerance: +/- 0.5	



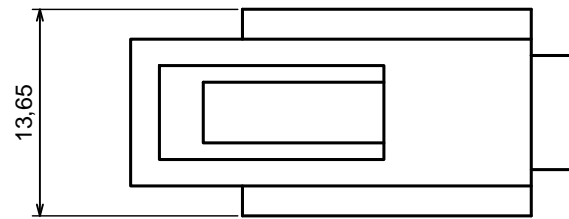
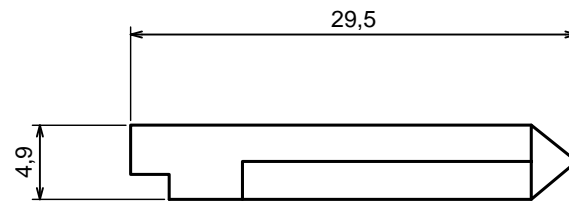
All rights reserved, Copyright Kradox 2016	
Product model	Enclosure Z109 - cover
Format: A3	Material: PS, ABS
Scale 1:1	Tolerance: +/- 0.5






All rights reserved, Copyright Kradox 2016	
Product model	Enclosure Z109 - filter
Format: A3	Material: PS, ABS
Scale 1:1	Tolerance: +/- 0.5





All rights reserved, Copyright Kradex 2016		
Product model	Enclosure Z109 - hook	
Format: A3	Material: PS, ABS	
Scale 2:1	Tolerance: +/- 0.5	