

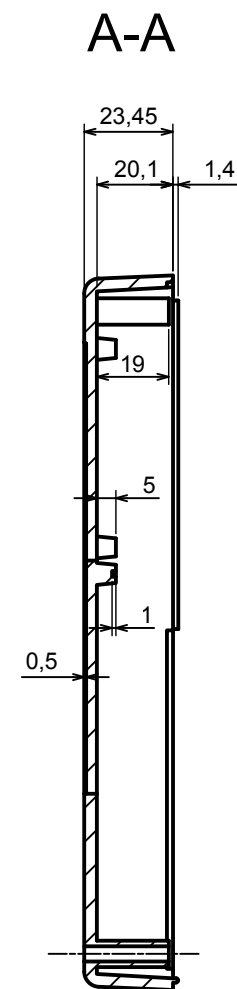
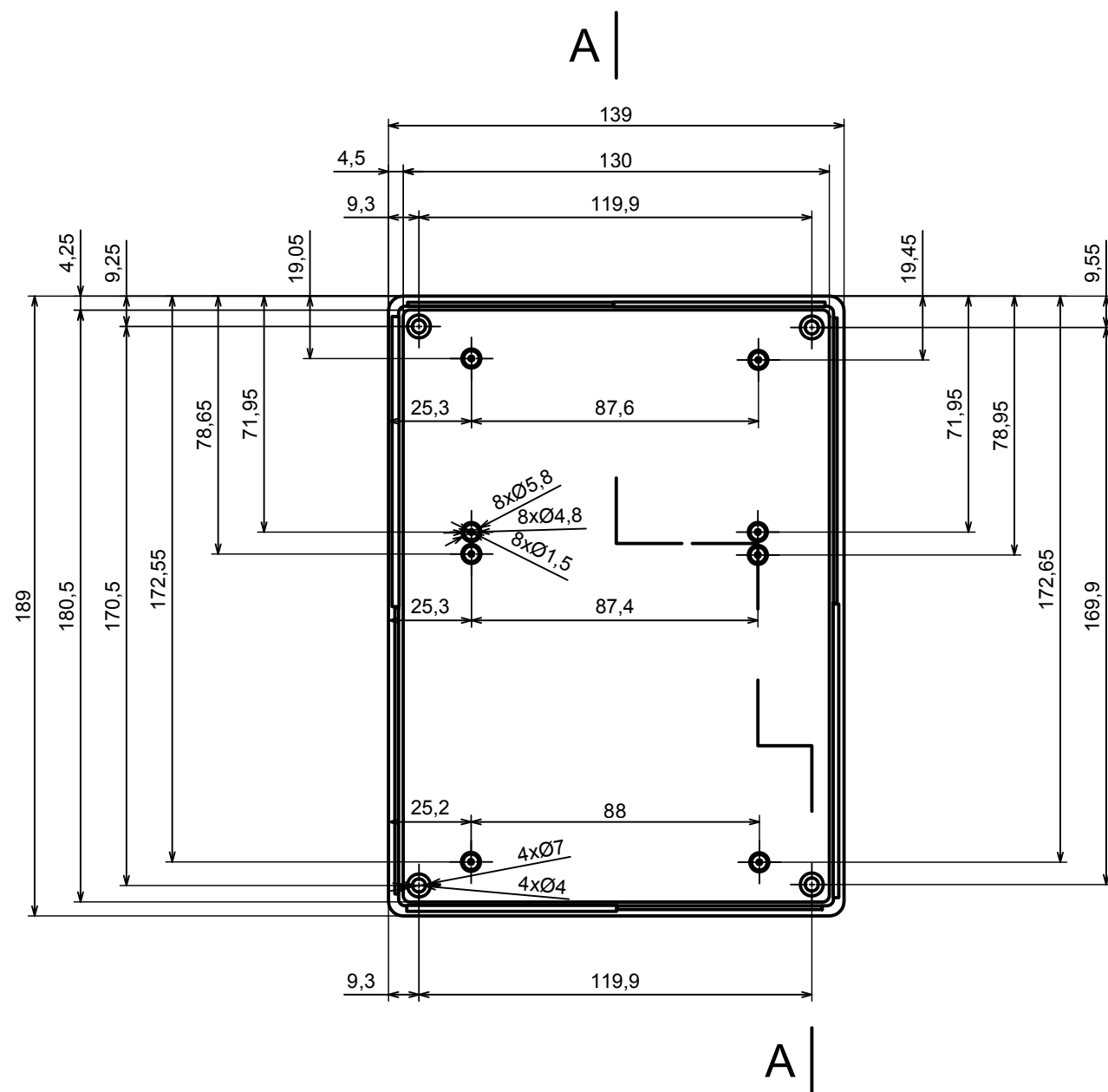
All rights reserved, Copyright Kradox 2017


Product model	Enclosure Z20A - Assembly
---------------	---------------------------

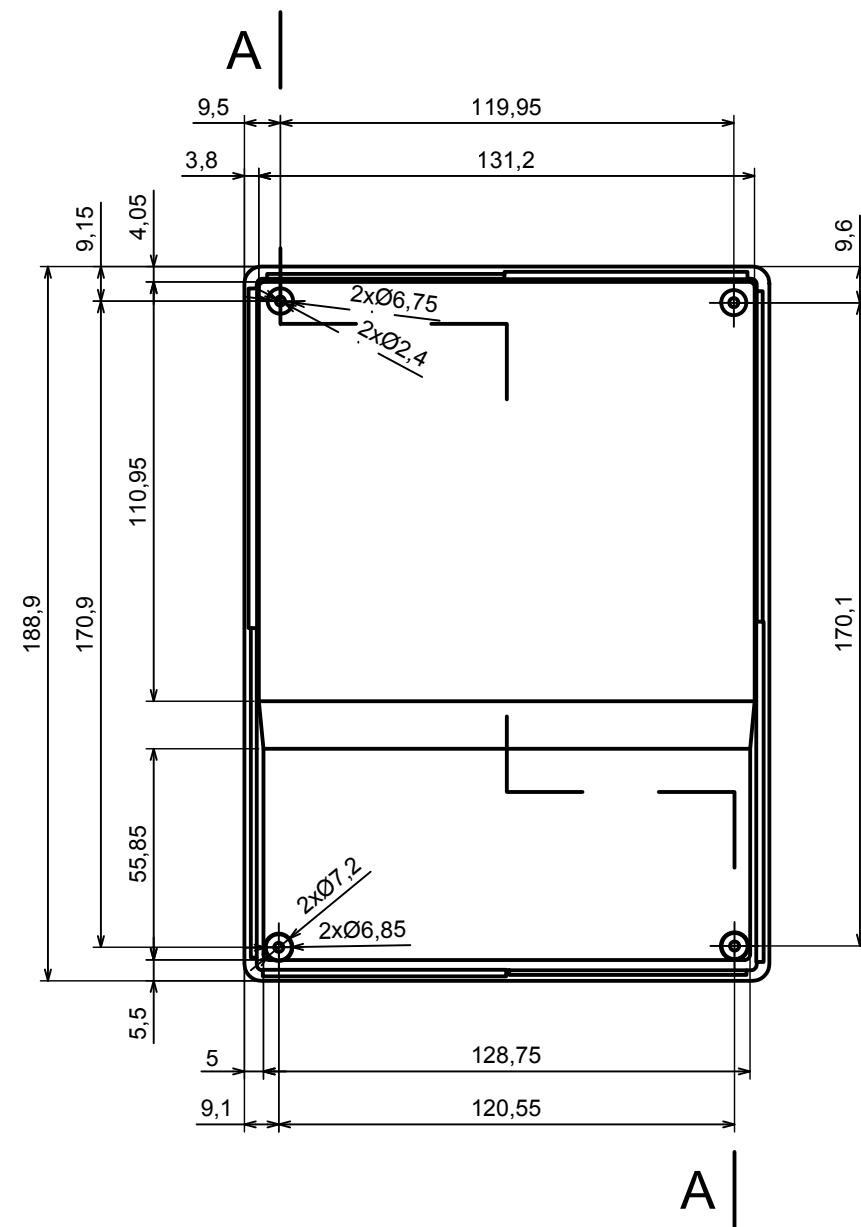
Format: A3	Material: PS, ABS
------------	-------------------

Scale 1:2	Tolerance: +/- 0.8
-----------	--------------------

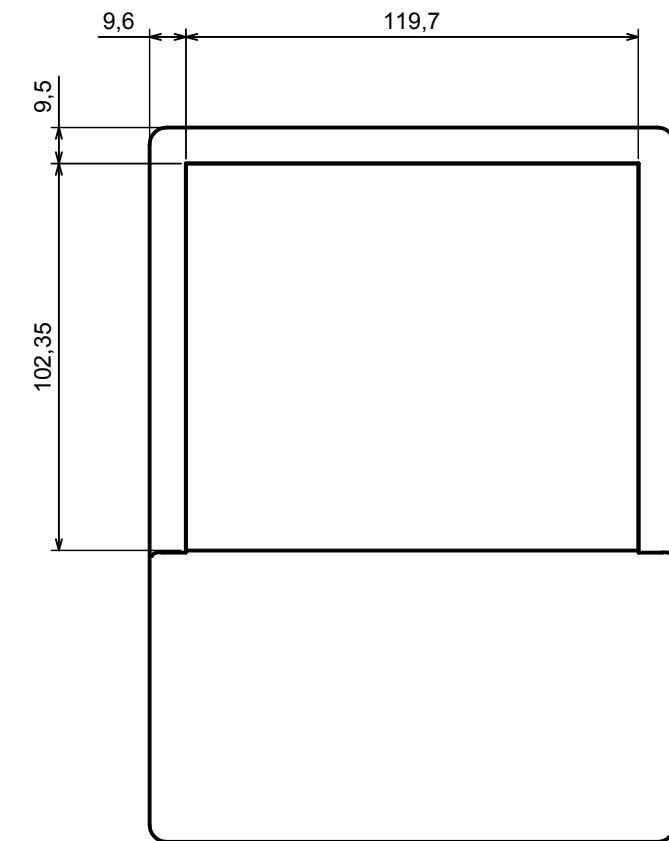




All rights reserved, Copyright Kradox 2017		
Product model	Enclosure Z20A - Base	
Format: A3	Material: PS, ABS	
Scale 1:2	Tolerance: +/- 0.8	



A-A



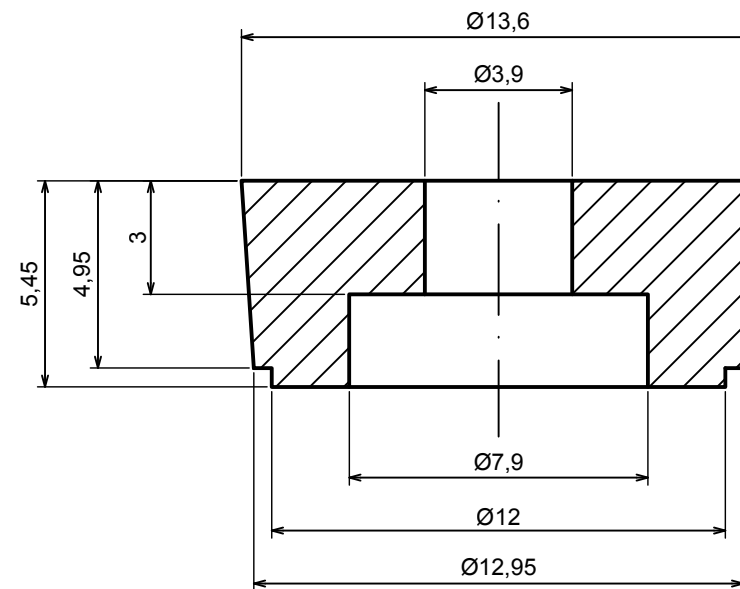
All rights reserved, Copyright Kradox 2017

Product model: Enclosure Z20A - Cover

Format: A3 Material: PS, ABS

Scale 1:2 Tolerance: +/- 0.8





All rights reserved, Copyright Kradox 2017

Product model: Enclosure Z20A - Foot

Format: A3 Material: PS, ABS

Scale 5:1 Tolerance: +/- 0.8

