

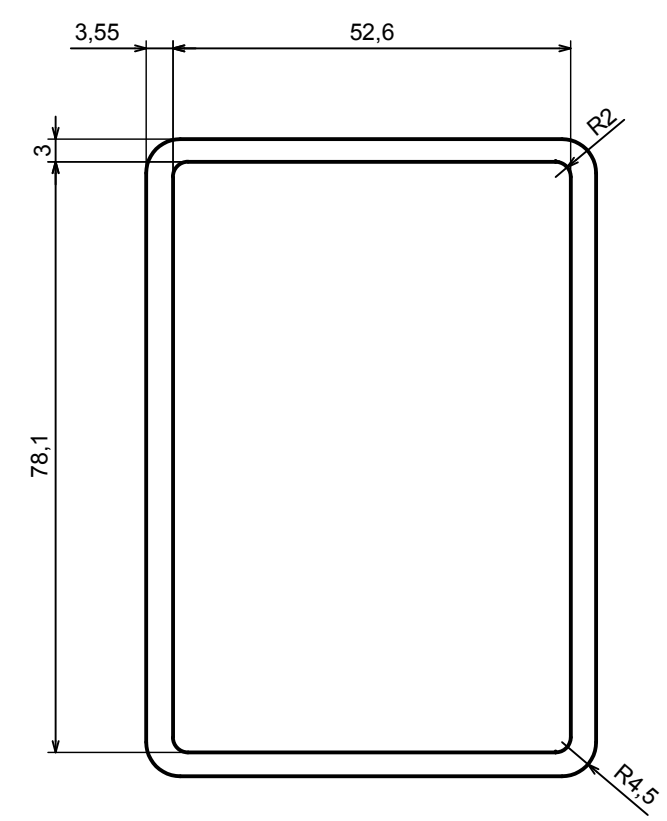
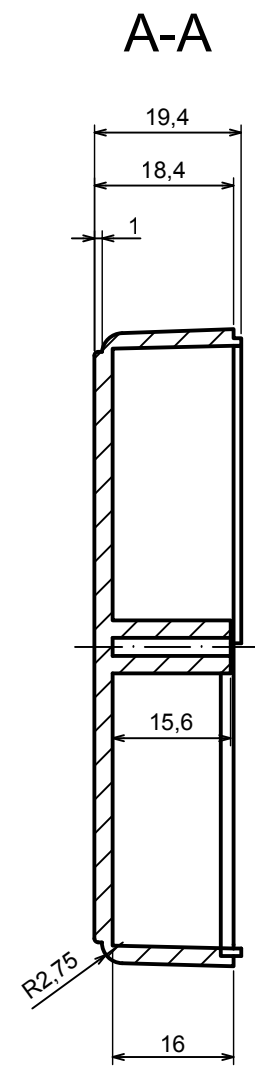
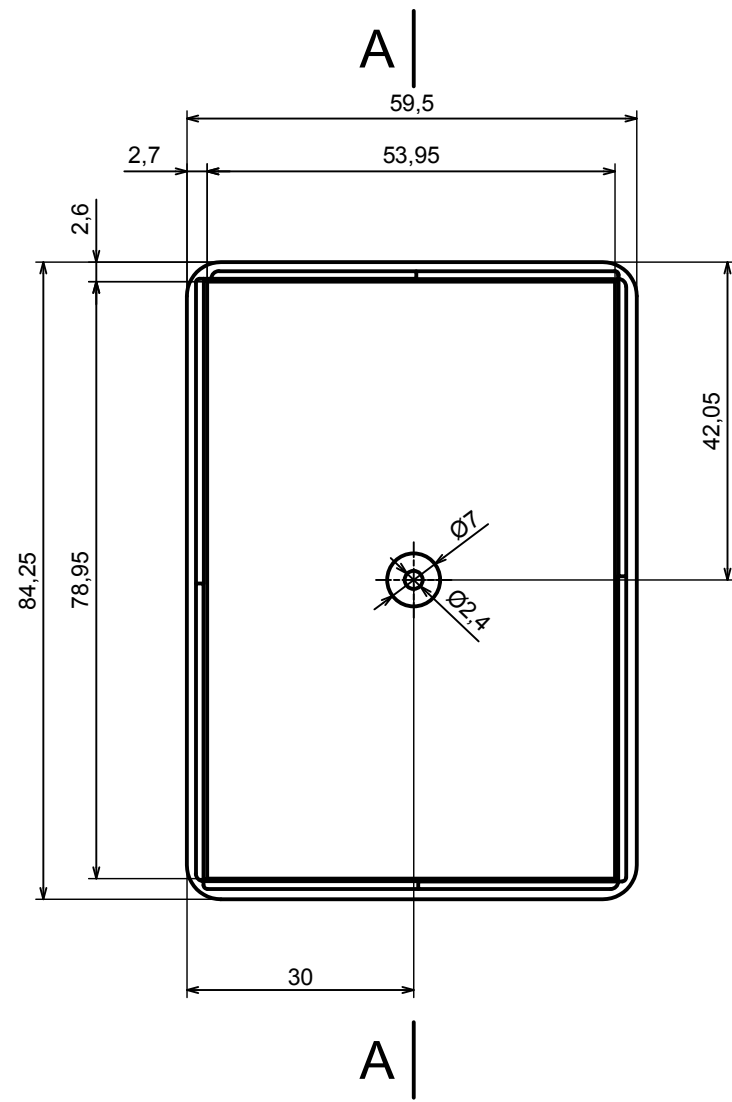
All rights reserved, Copyright Kradox 2017


Product model	Enclosure Z23B - Assembly
---------------	---------------------------

Format: A3	Material: PS, ABS
------------	-------------------

Scale 1:1	Tolerance: +/- 0.8
-----------	--------------------





All rights reserved, Copyright Kradox 2017		
Product model	Enclosure Z23B - Base / Cover	
Format: A3	Material: PS, ABS	
Scale 1:1	Tolerance: +/- 0.8	