
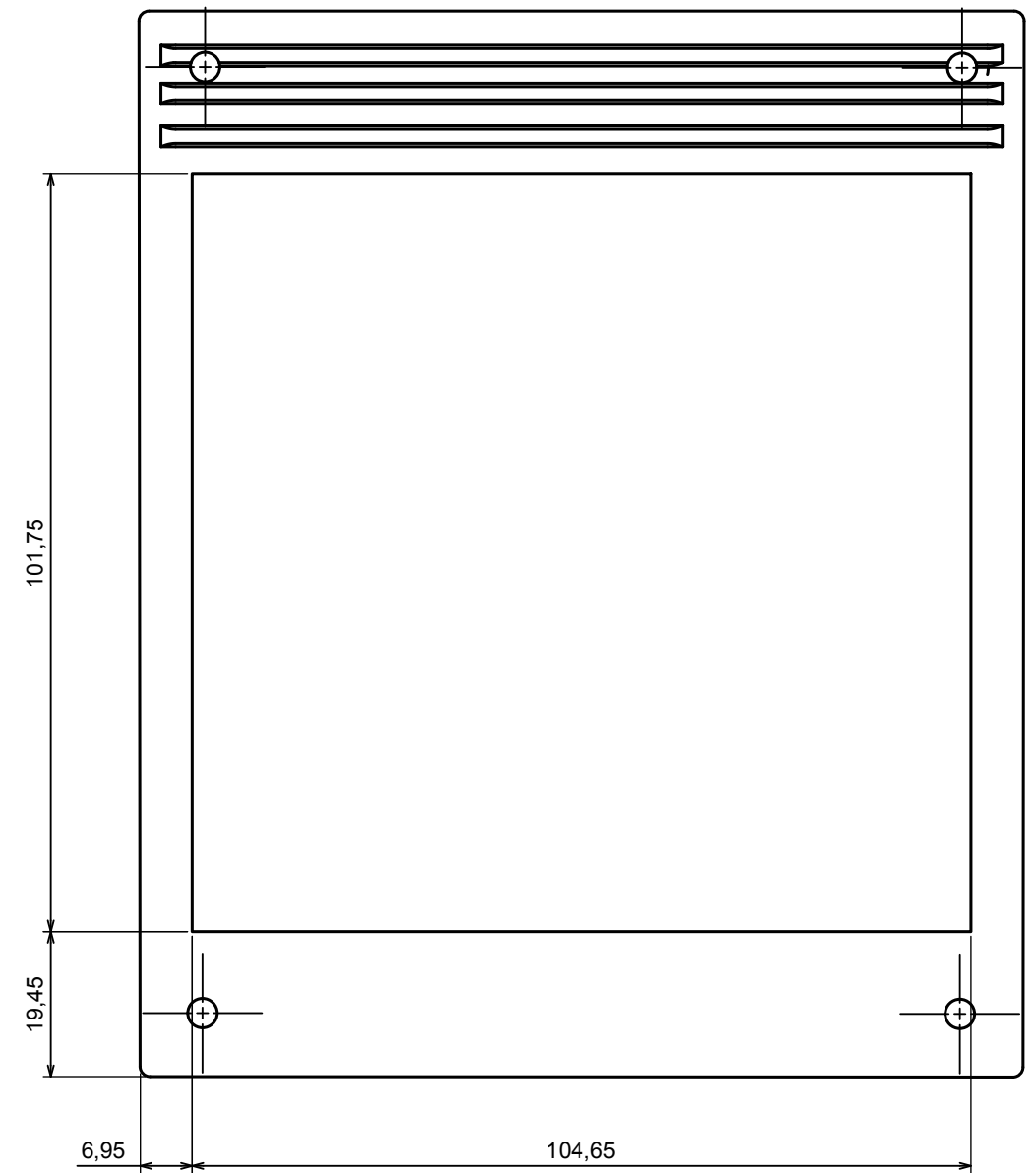
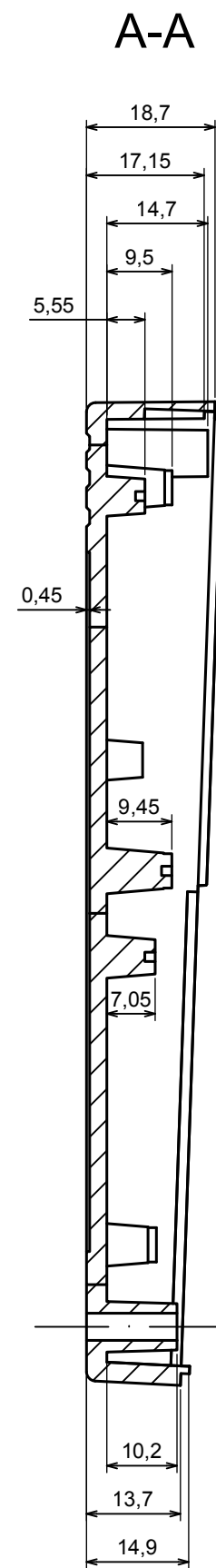
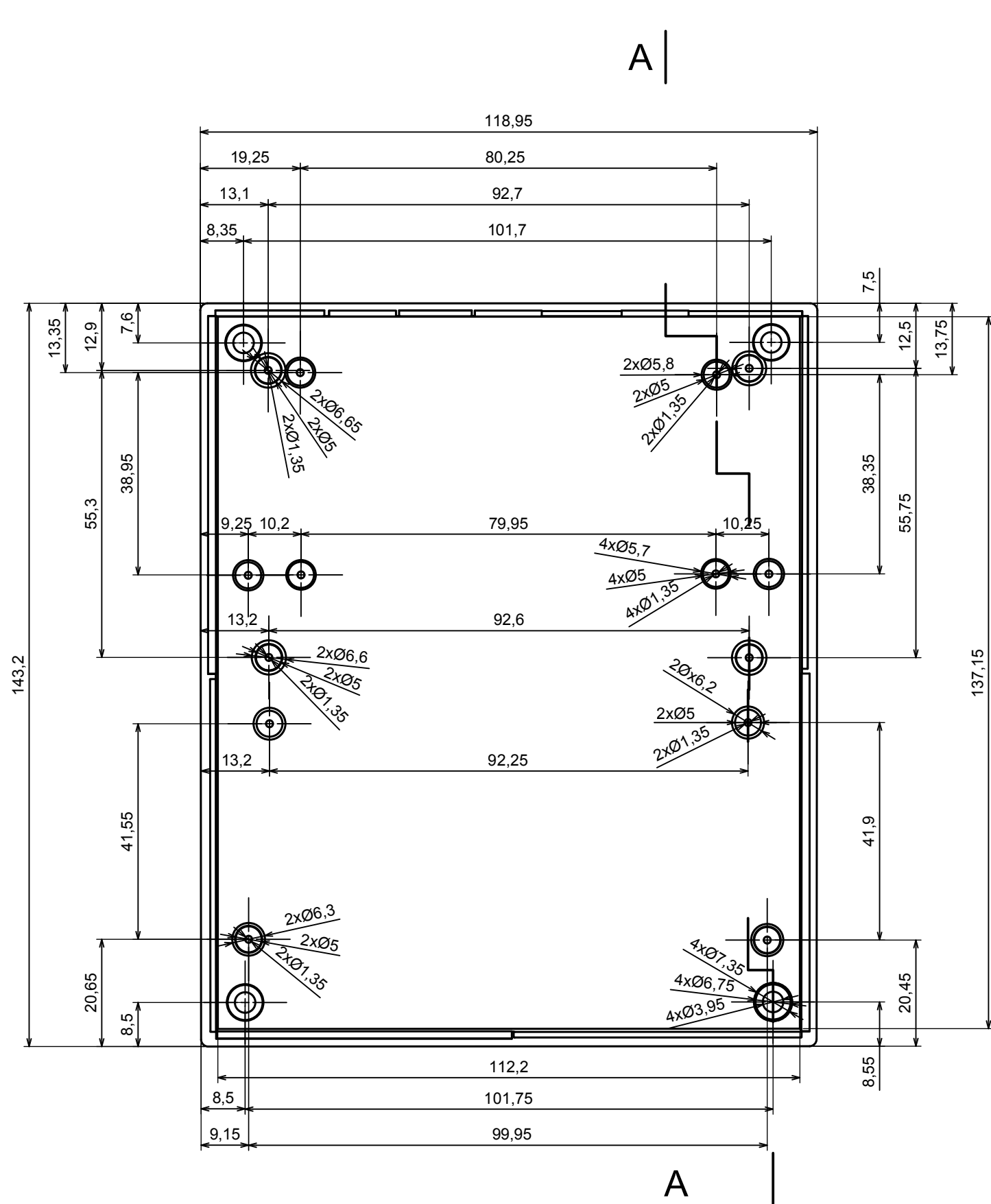


All rights reserved, Copyright Kradex 2016		
Product model	Enclosure Z28 - assembly	
Format: A3	Material: PS, ABS	
Scale 1:1	Tolerance: +/- 0.5	



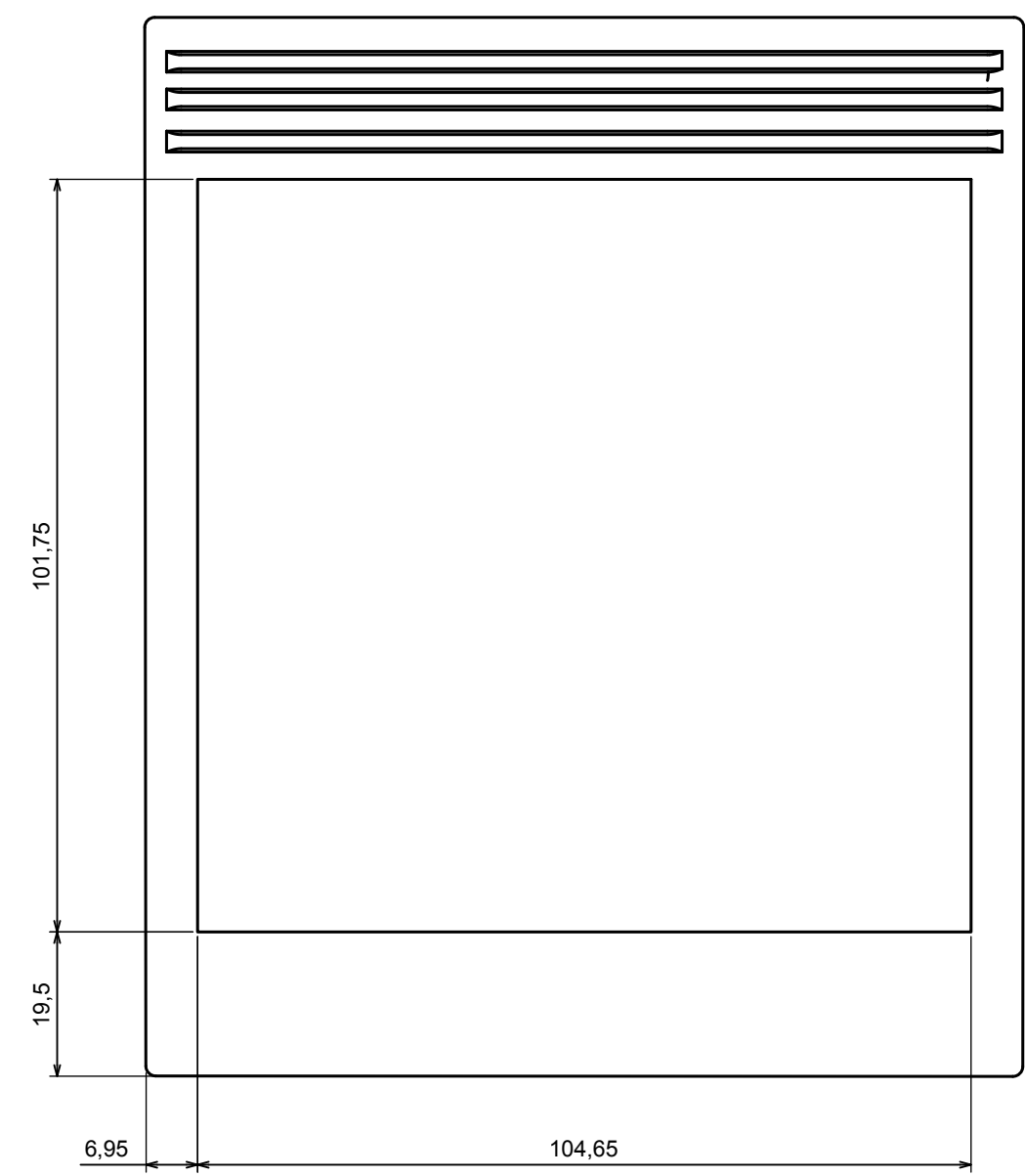
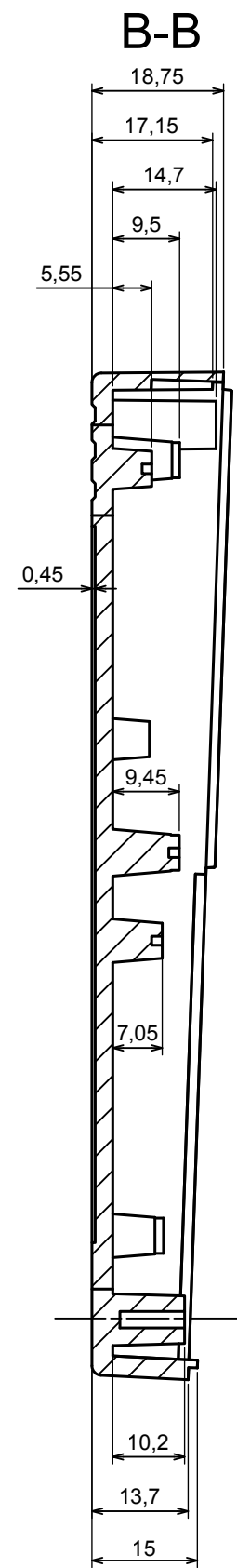
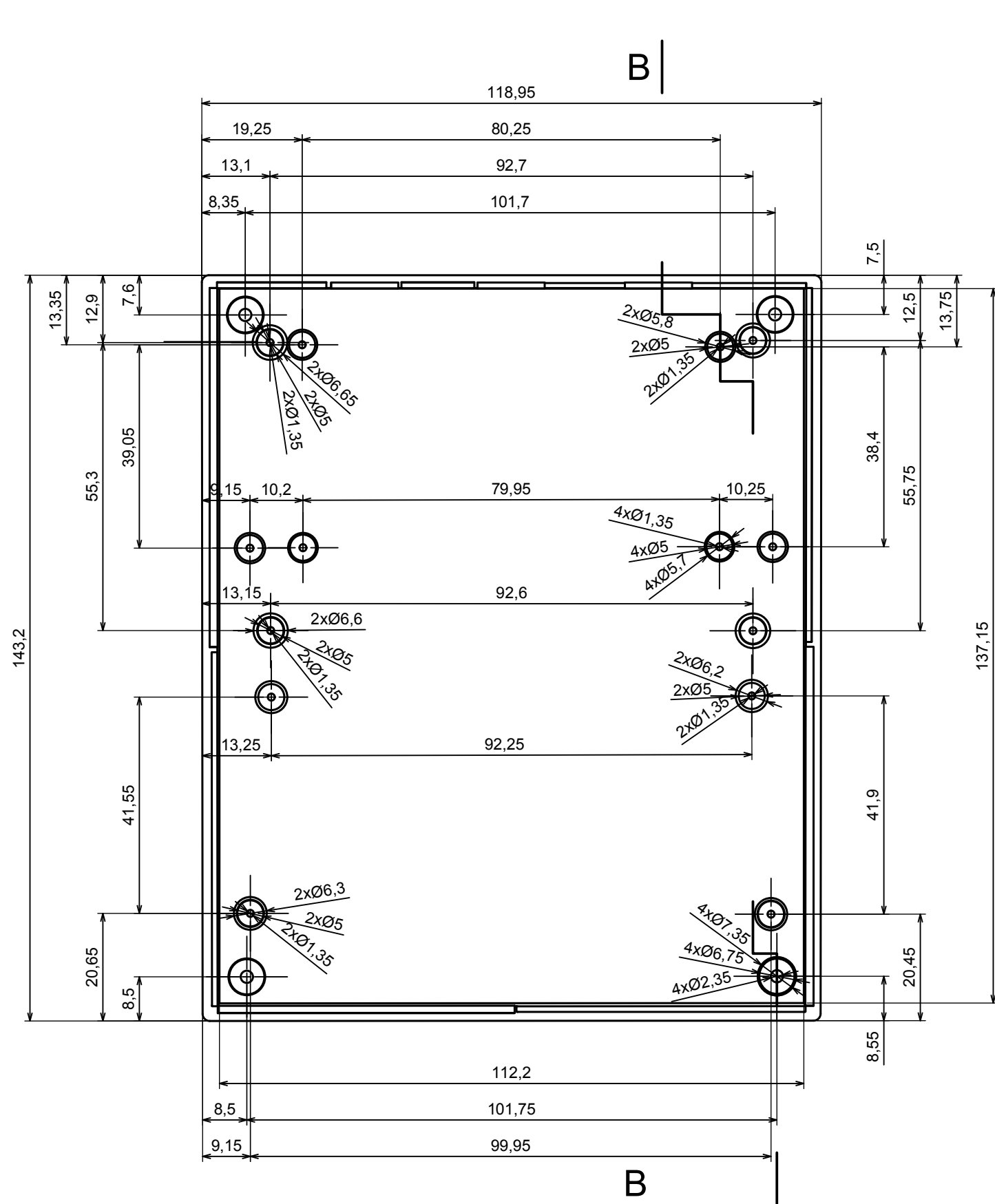
All rights reserved, Copyright Kradox 2016

Product model Enclosure Z28 - Base

Format: A3 Material: PS, ABS

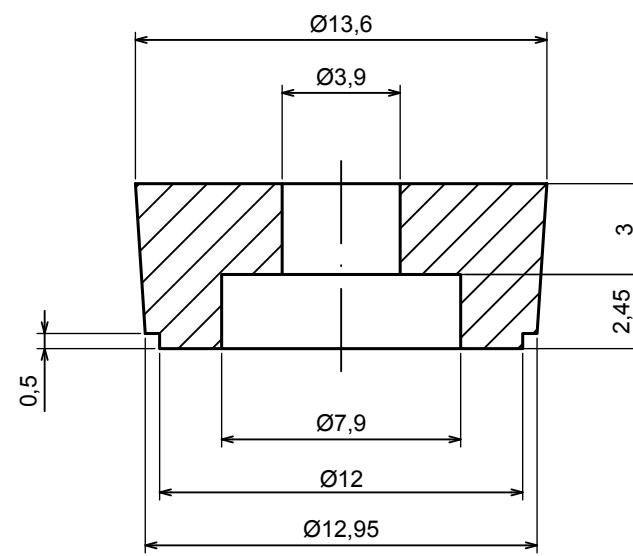
Scale 1:1 Tolerance: +/- 0.5






All rights reserved, Copyright Kradox 2016	
Product model	Enclosure Z28 - Cover
Format: A3	Material: PS, ABS
Scale 1:1	Tolerance: +/- 0.5





All rights reserved, Copyright Kradox 2016		
Product model	Enclosure Z28 - Foots	
Format: A3	Material: PS, ABS	
Scale 4:1	Tolerance: +/- 0.5	