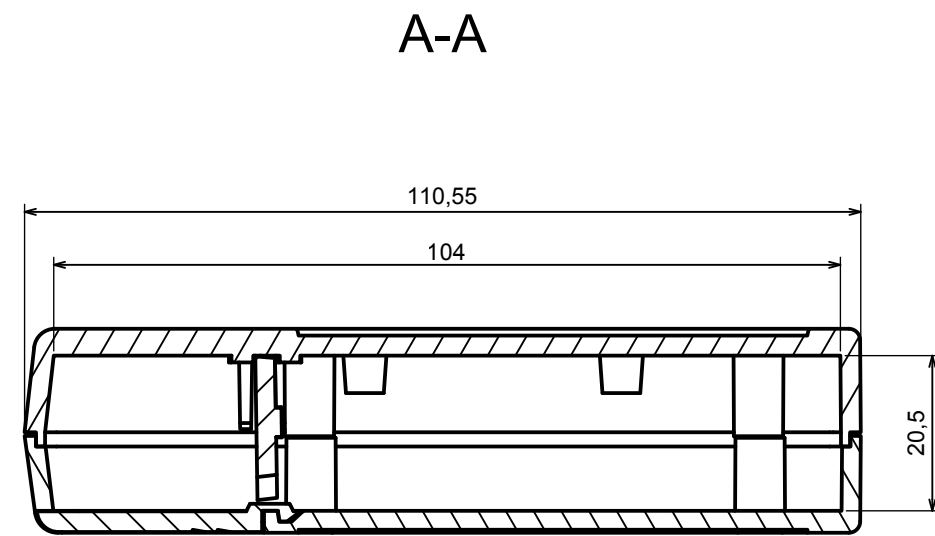


A |



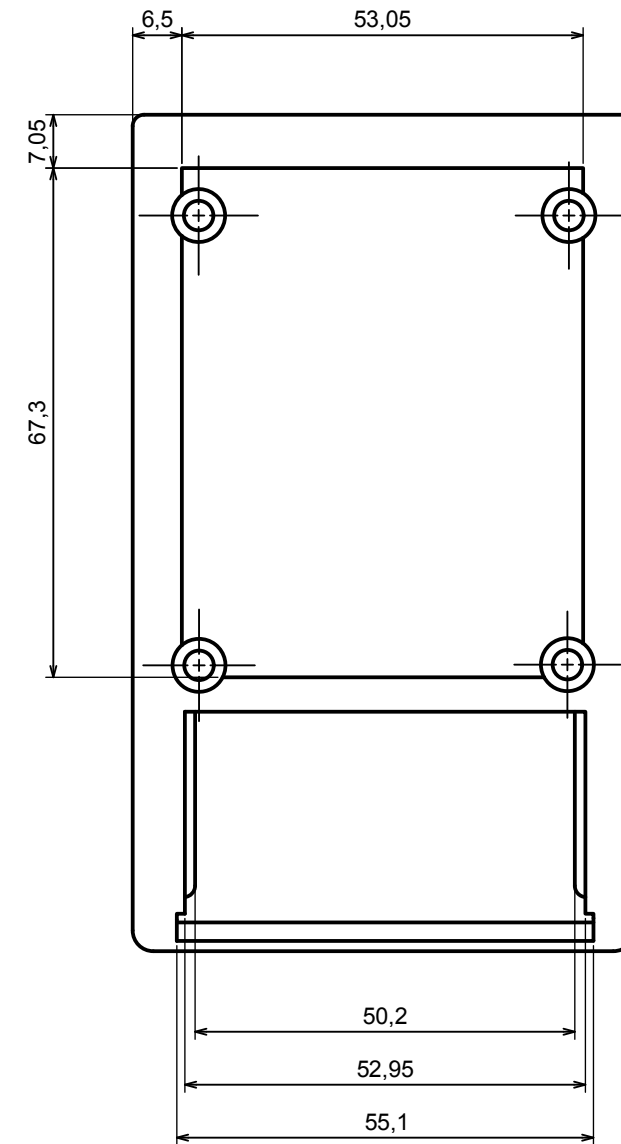
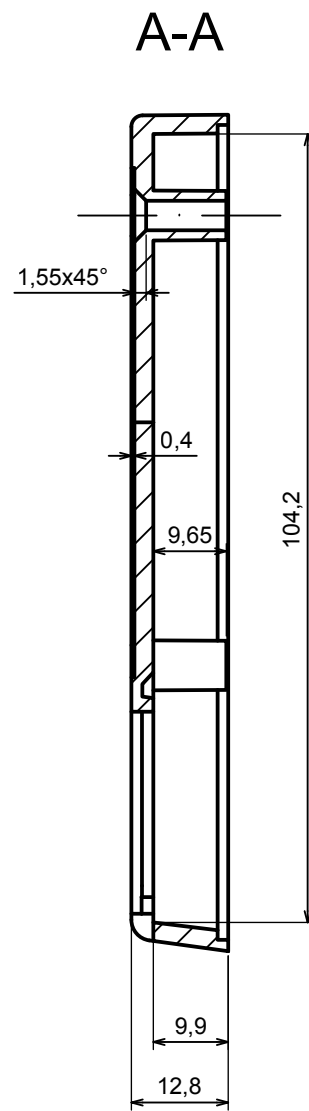
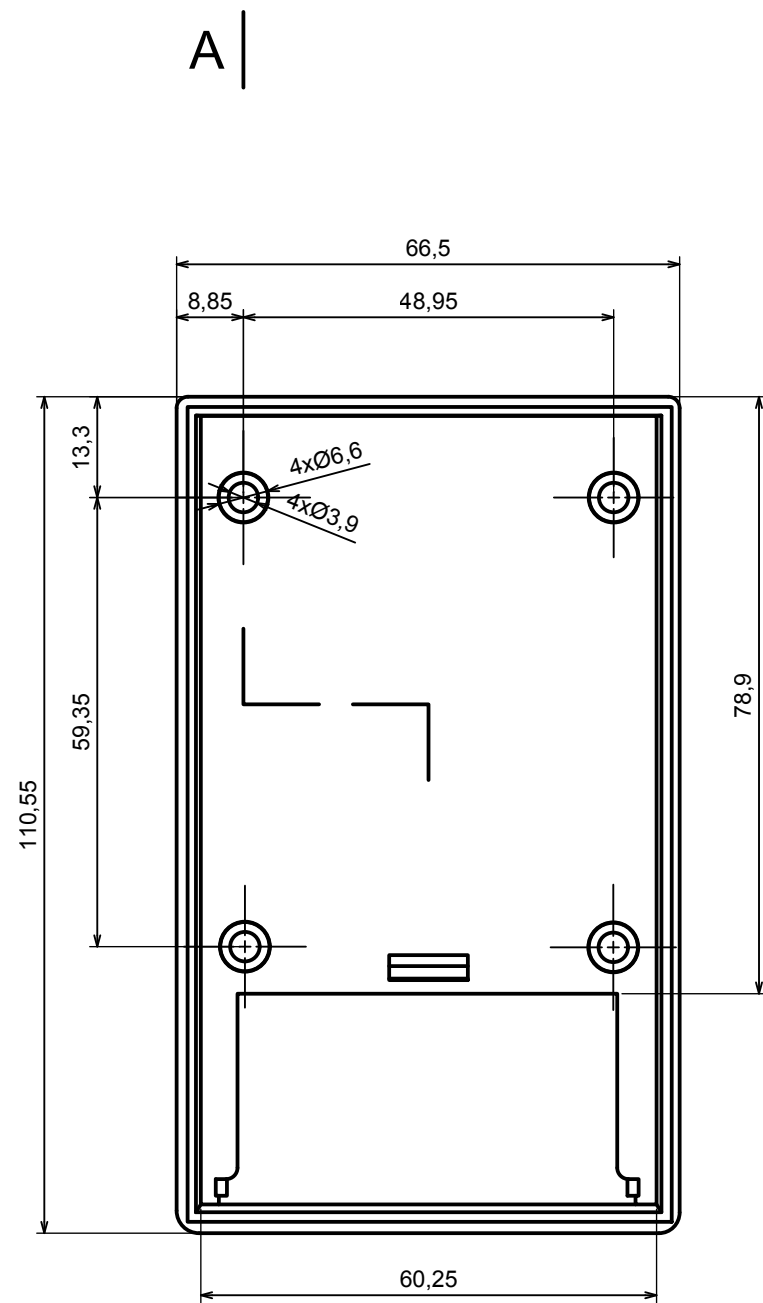
All rights reserved, Copyright Kradox 2016

Product model	Enclosure Z32 - assembly
---------------	--------------------------

Format: A3	Material: PS, ABS
------------	-------------------

Scale 1:1	Tolerance: +/- 0.5
-----------	--------------------





A |

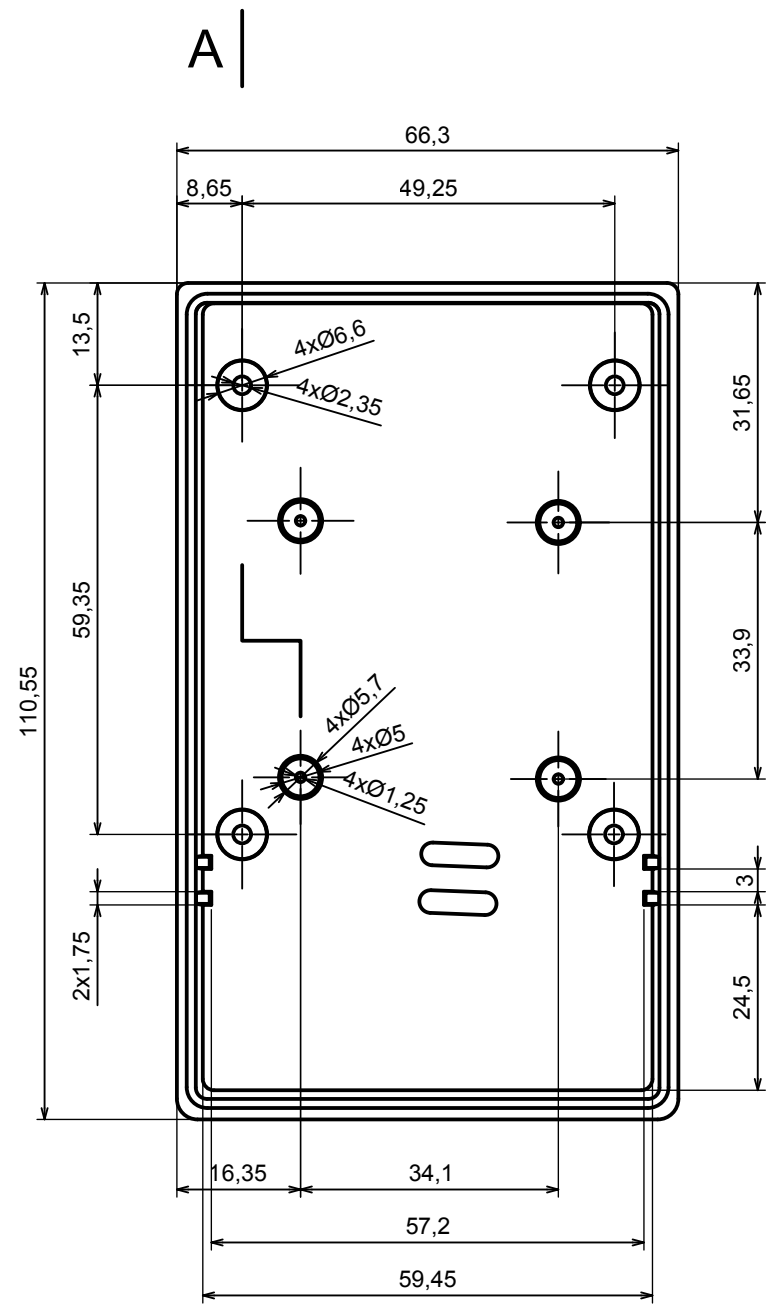
All rights reserved, Copyright Kradox 2016

Product model Enclosure Z32 - base

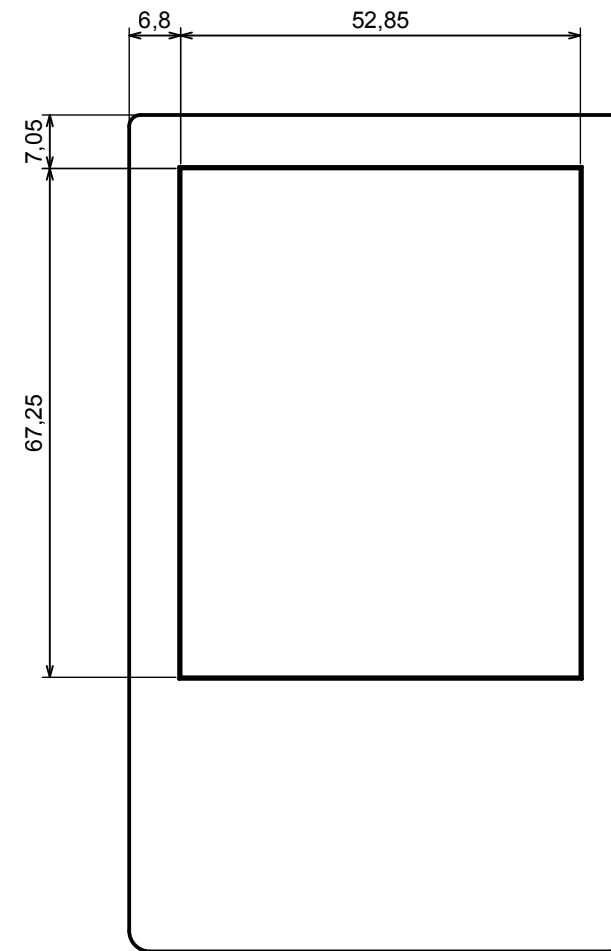
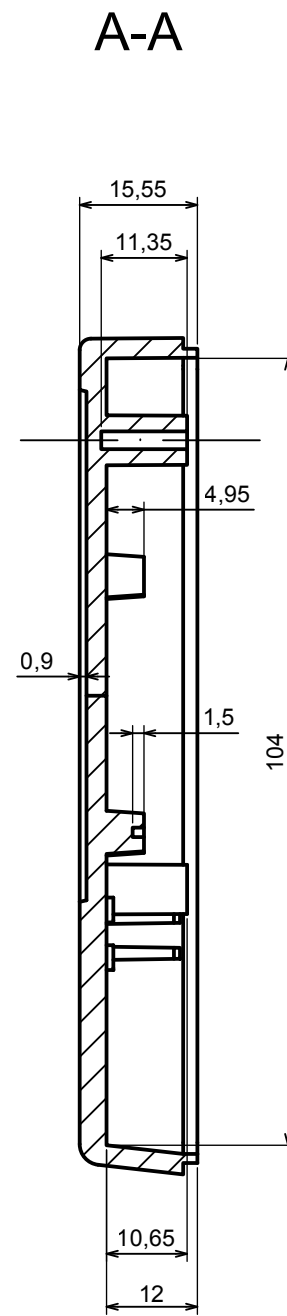
Format: A3 Material: PS, ABS

Scale 1:1 Tolerance: +/- 0.5





A |



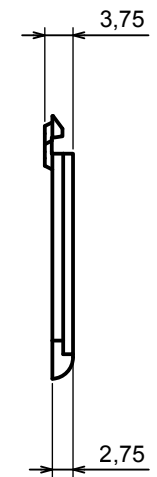
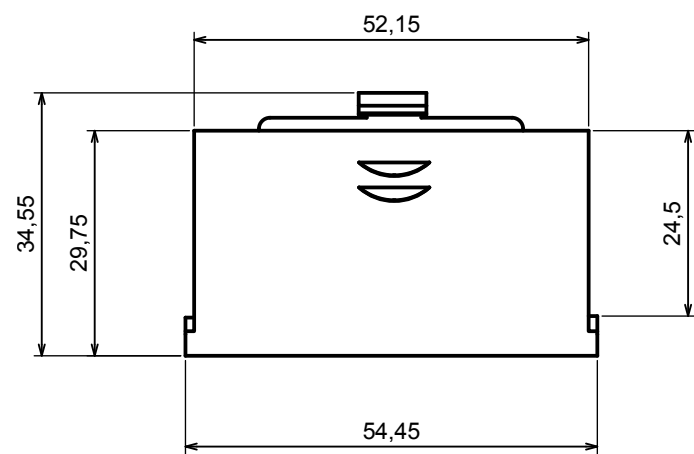
All rights reserved, Copyright Kradox 2016


Product model Enclosure Z32 - cover

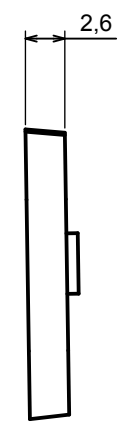
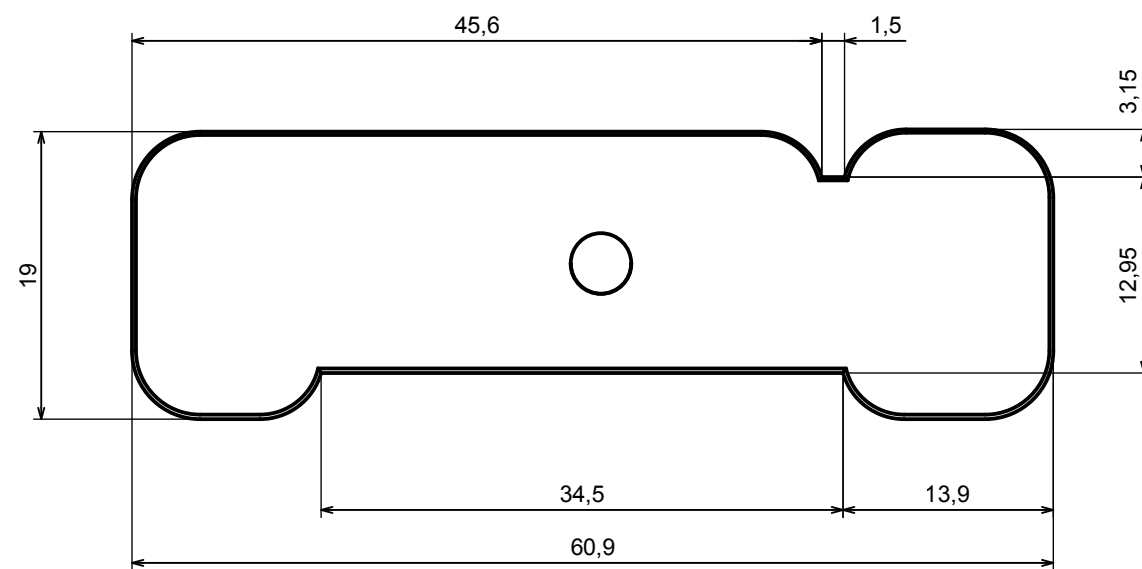
Format: A3 Material: PS, ABS

Scale 1:1 Tolerance: +/- 0.5





All rights reserved, Copyright Kradox 2016		
Product model	Enclosure Z32- Battery cover	
Format: A3	Material: PS, ABS	
Scale 1:1	Tolerance: +/- 0.5	



All rights reserved, Copyright Kradox 2016

Product model: Enclosure Z32 - Board

Format: A3      Material: PS, ABS

Scale 2:1      Tolerance: +/- 0.5

