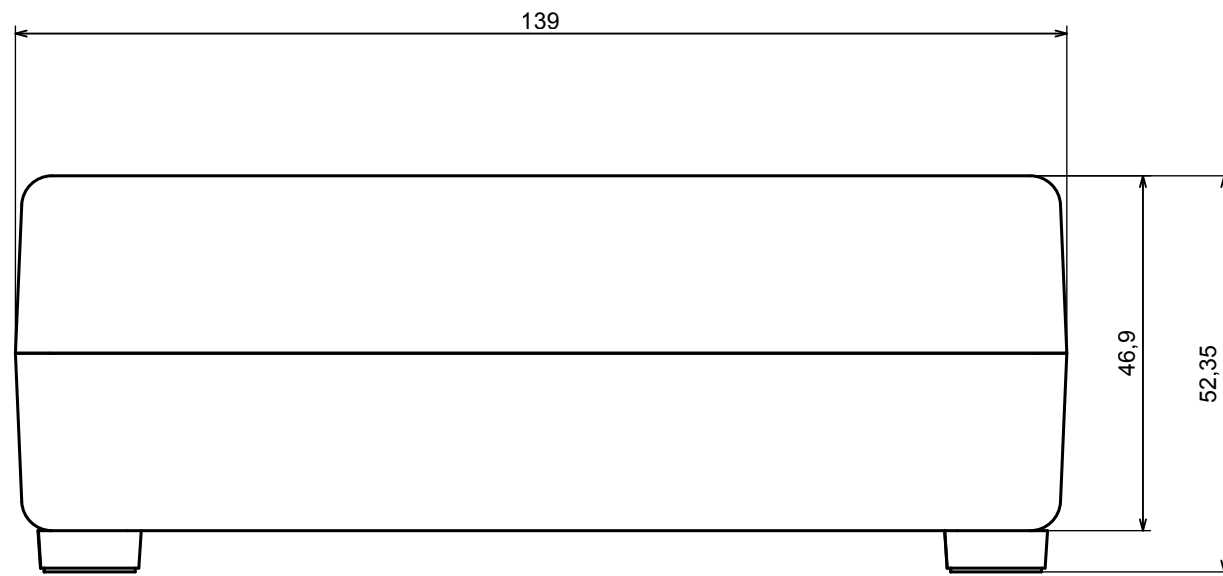
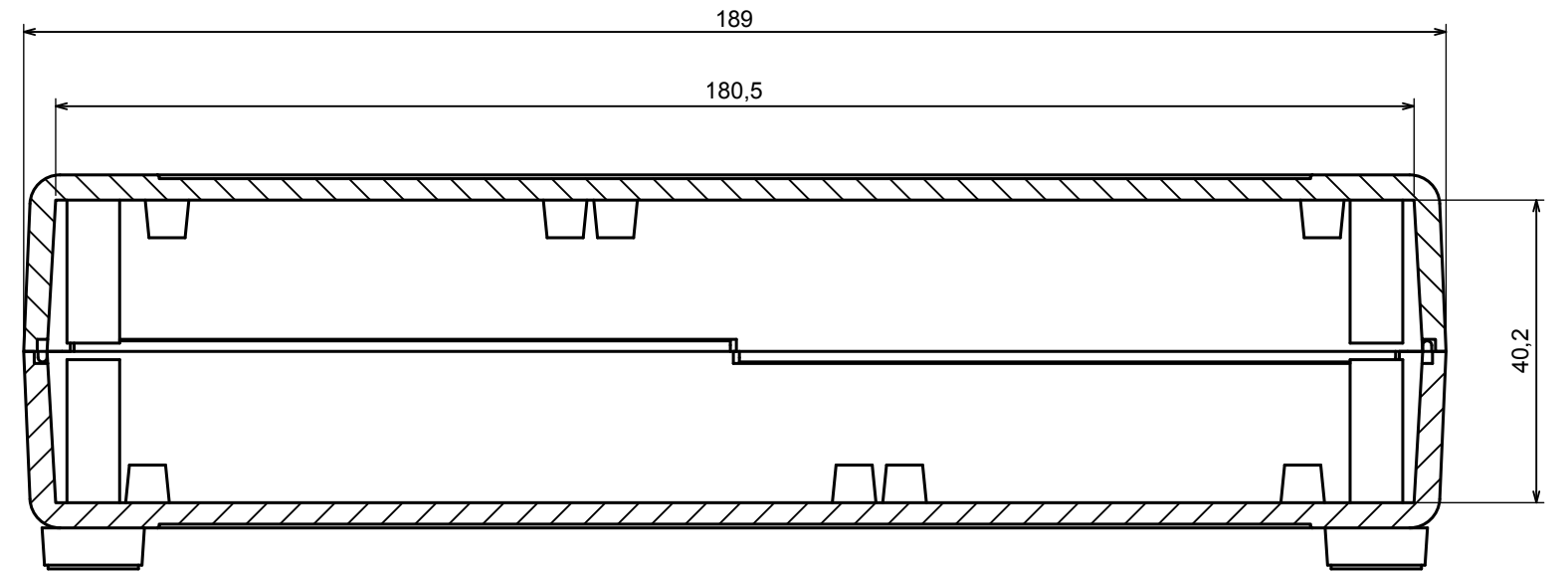


A |



A |

A-A



All rights reserved, Copyright Kradex 2016

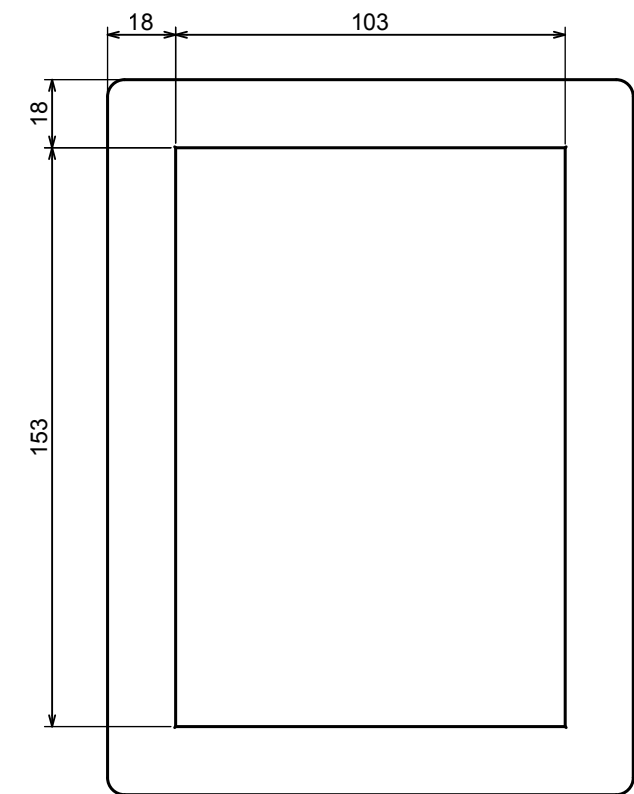
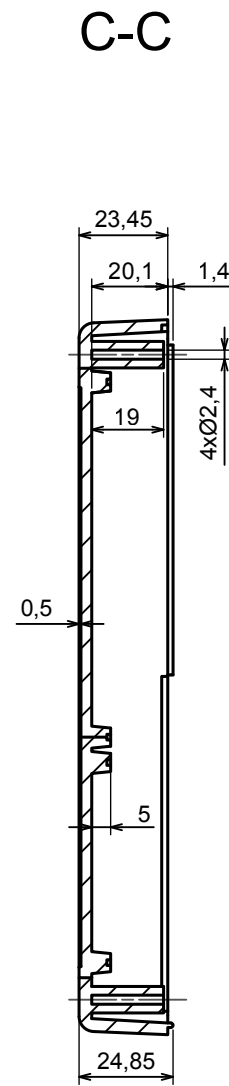
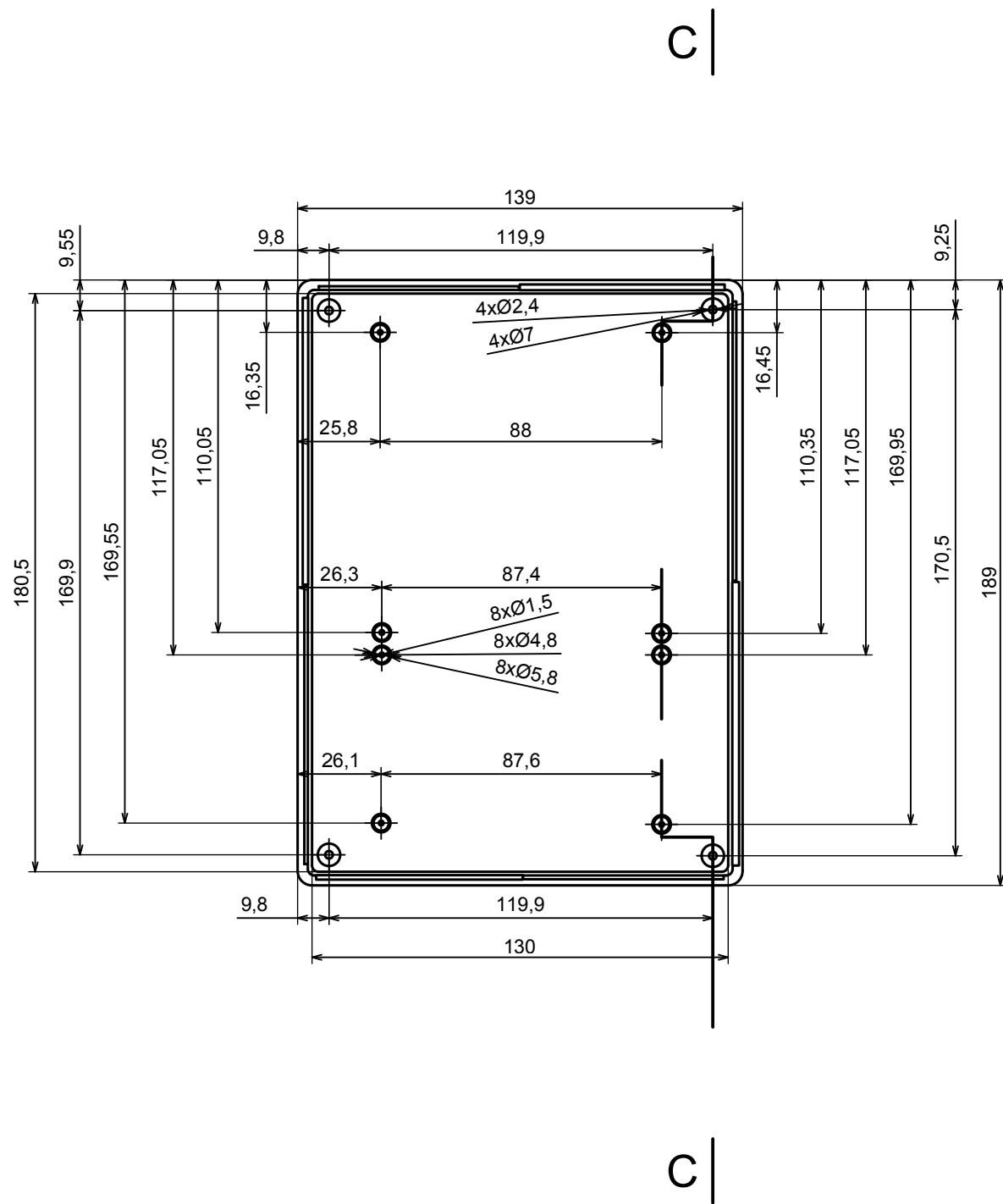
Product model Enclosure Z33 - Assembly

Format: A3 Material: PS, ABS

Scale 1:1 Tolerance: +/- 0.5







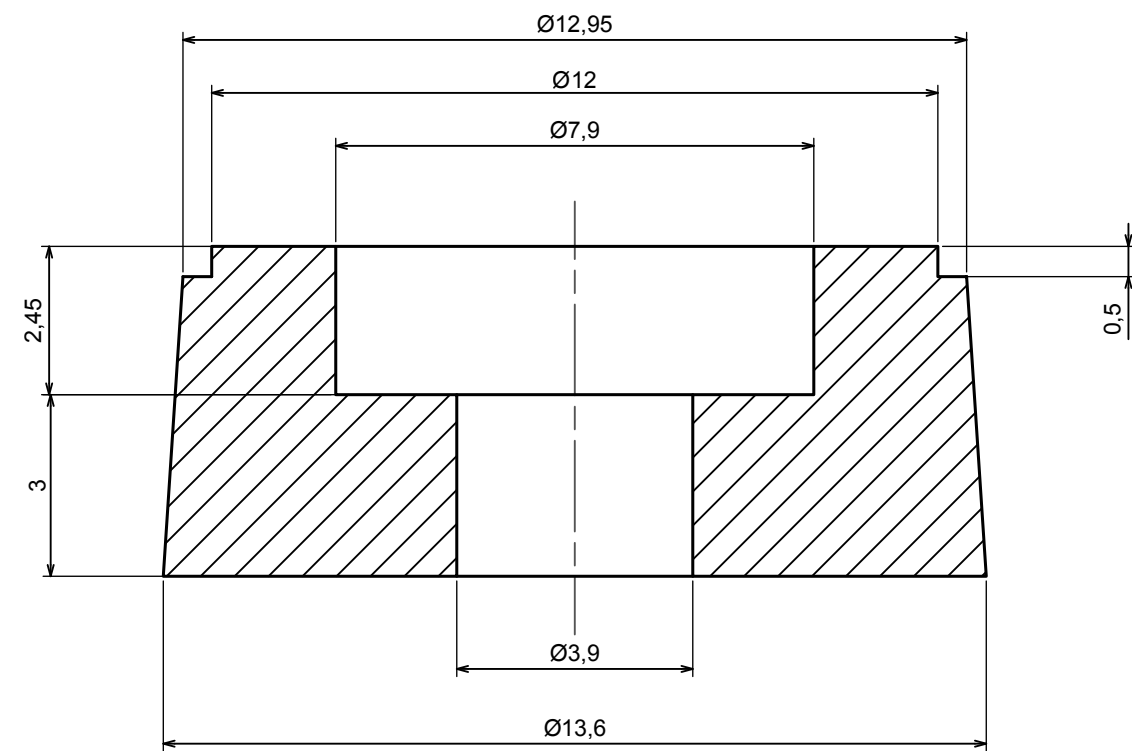
All rights reserved, Copyright Kradox 2016

Product model: Enclosure Z33 - Cover

Format: A3      Material: PS, ABS

Scale 1:2      Tolerance: +/- 0.5





All rights reserved, Copyright Kradox 2016

Product model Enclosure Z33 - Foot

Format: A3 Material: PS, ABS

Scale 8:1 Tolerance: +/- 0.5

