
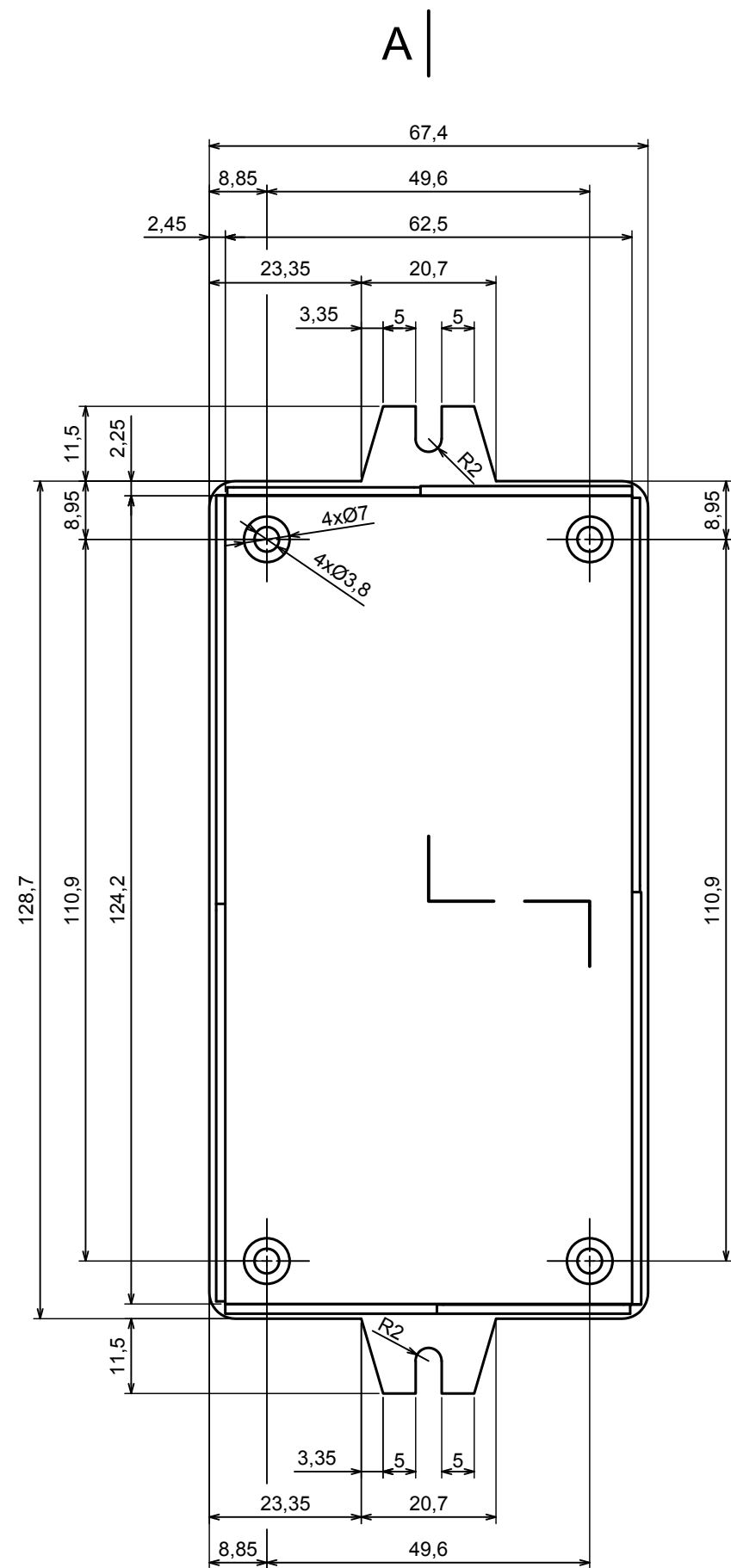
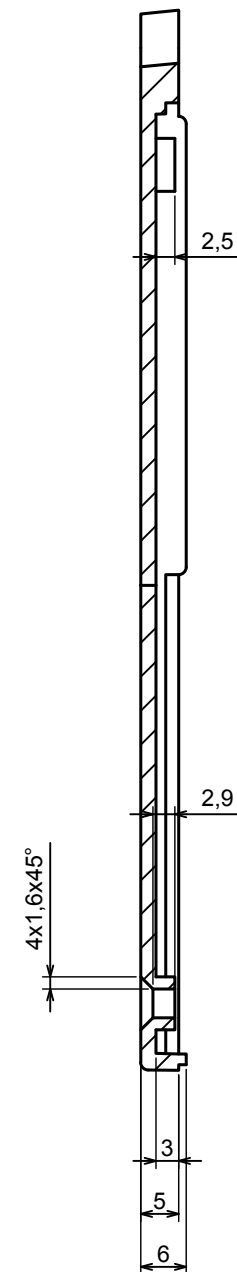


All rights reserved, Copyright Kradox 2017		
Product model	Enclosure Z34U - Assembly	
Format: A3	Material: PS, ABS	
Scale 1:1	Tolerance: +/- 0.8	



A-A



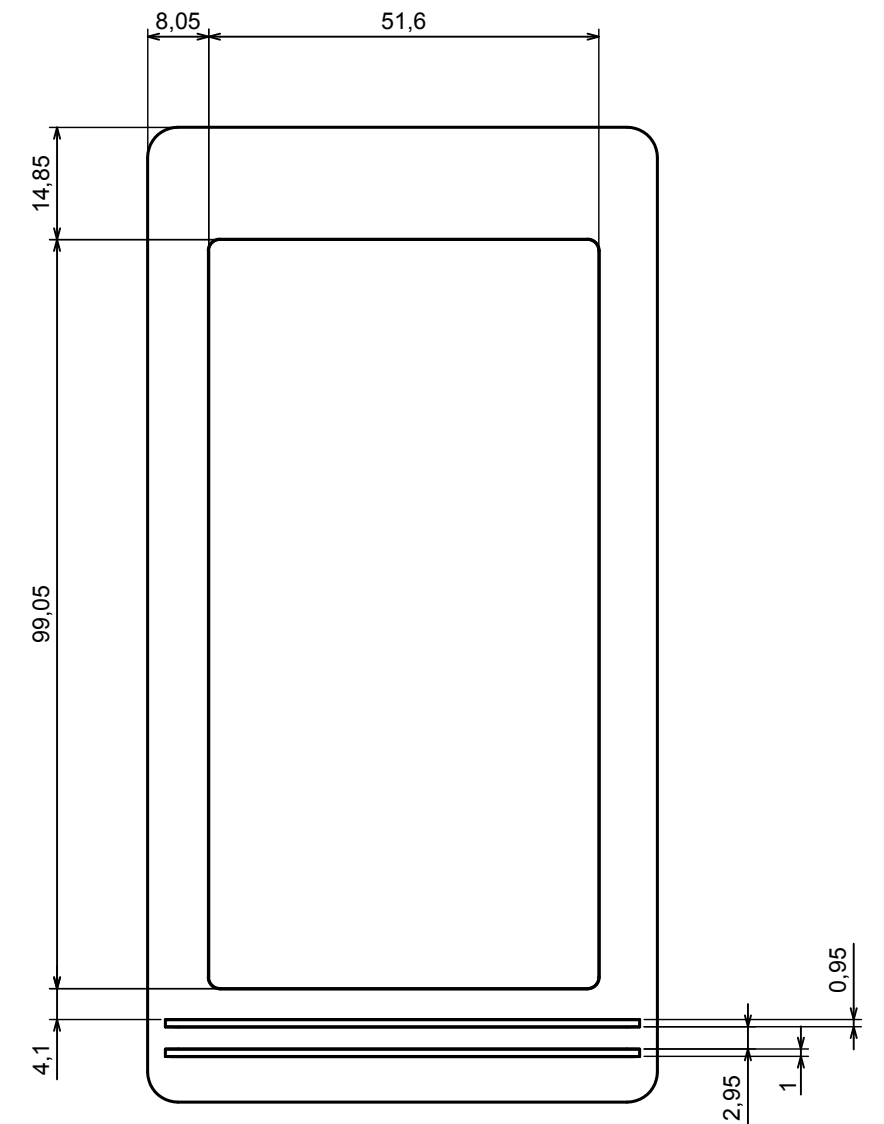
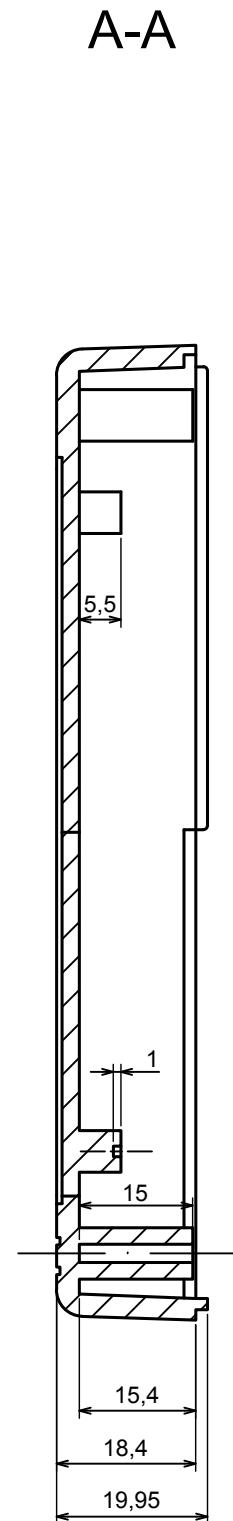
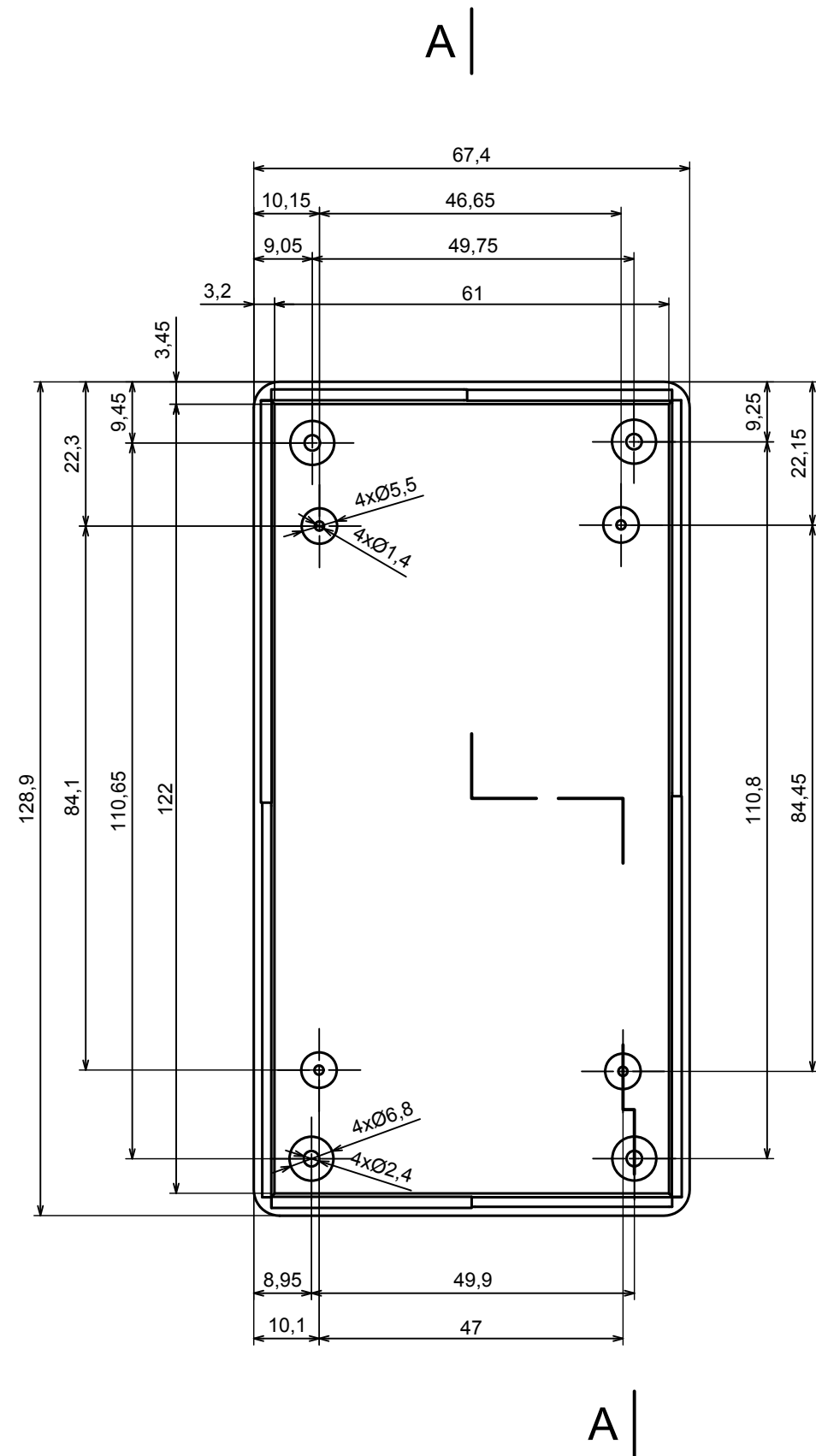
All rights reserved, Copyright Kradox 2017

Product model: Enclosure Z34U - Base

Format: A3 Material: PS, ABS

Scale 1:1 Tolerance: +/- 0.8





All rights reserved, Copyright Kradox 2017

Product model: Enclosure Z34U - Cover

Format: A3 Material: PS, ABS

Scale 1:1 Tolerance: +/- 0.8

